



UNDERBAR REFRIGERATION



Use your smart phone to scan the above QR code to visit our website: www.bk-resources.com

GF-50

Glass Froster / Plate Chiller



GF-50

- **Heavy Duty Construction**
Durable stainless steel top & interior with a corrosion resistant black vinyl exterior.
- **Electronic control system**
Allows for quick temperature adjustments and defrost frequency.
- **Eco-Friendly Hydro-Carbon Refrigerant**
R290 Refrigerant with a nominal global warming potential rating.
- **Easy Access Condenser**
Allows for easy service, even in tight spaces.
- **Holding Temp Range: -8°F to 0°F**
- **Adjustable Coated-Steel Dividers**
- **Comes with 4" swivel casters**
- **1 Year Parts & Labor Warranty**
- **5 Year Compressor Warranty**



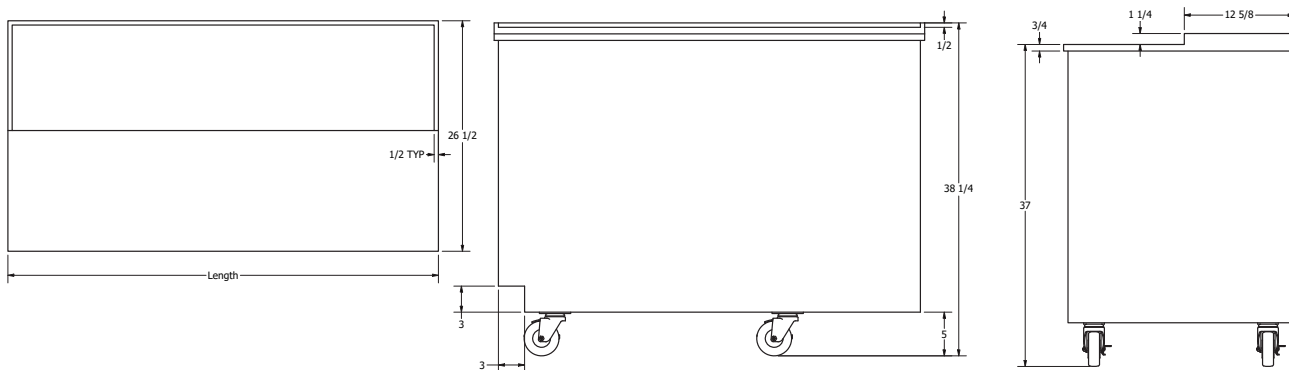
115/60/1
Nema-5-15P



Commercial Use Only - Not warranted for residential use

Specifications subject to change without notice

Part Number	Sliding Doors	Dividers	Amps	HP	Voltage	Nema Plug	Capacity (Mugs)	Cord Length	Unit Size (in) (l x d x h)
GF-50	2	8	5.3	1/4	115/60/1	5-15P	240	8 Foot	49.5" x 26.5" x 38.25"



PRODUCT DATA SHEET

RESOURCES

