



## THERMOPRO™ INSULATED SERVERS AND STANDS

MODEL: TXSG1501S600, TXSG0101S600, TXSG1501S200, TXSG0101S200



**TXSG1501S600**  
1.5 Gallon Thermal Dispenser  
With Lockable Base



**TXSG0101S600**  
1.0 Gallon Thermal Dispenser  
With Lockable Base



**TXSG1501S200**  
1.5 Gallon Thermal Dispenser  
Without Base



**TXSG0101S200**  
1.0 Gallon Thermal Dispenser  
Without Base

### Curtis ThermoPro™ Stainless Vacuum Servers - Designed to Provide Optimum Heat Retention.

#### FEATURES AT A GLANCE

- Attractive design complements hotel lobbies, service bars or back-of house
- Stainless steel liner for commercial durability
- Integral base makes it easy to create remote coffee stations
- Brew-through top keeps heat and flavor in
- Sturdy handles and dual function faucet guard provide multiple carrying points for ease of transportation
- Separate drip tray for easy cup location and cleaning
- Significant faucet clearance for cup and decanter service
- Includes sight glass cleaning brush

#### DISPENSER BASE



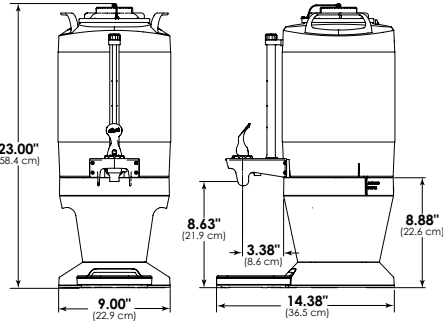
**TSS1A000**  
Single Thermal  
Dispenser Base



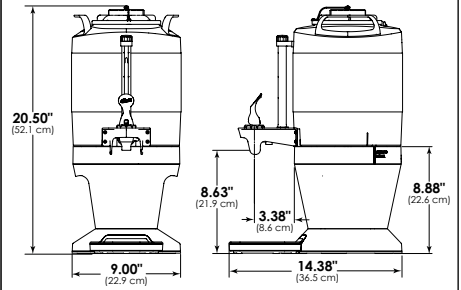
**TSS2A000**  
Twin Thermal  
Dispenser Base



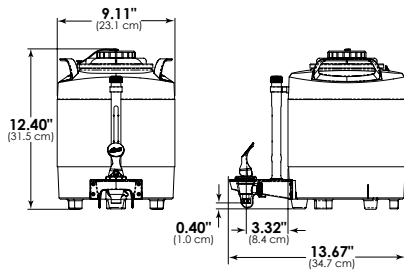
**TXSG1501S600**  
1.5 Gallon Dispenser  
with Lockable Base



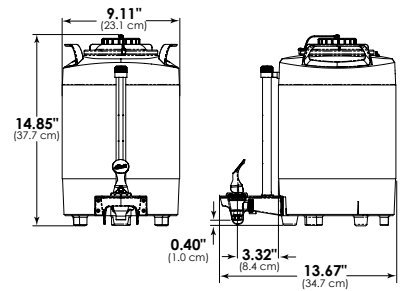
**TXSG0101S600**  
1.0 Gallon Dispenser  
with Lockable Base



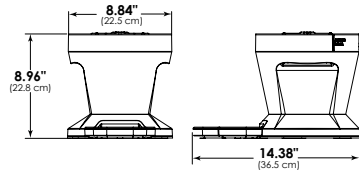
**TXSG1501S200**  
1.5 Gallon Dispenser  
without Base



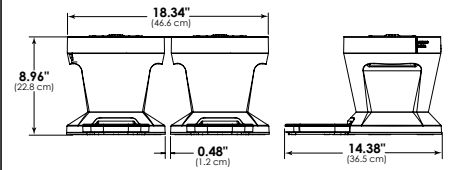
**TXSG0101S200**  
1.0 Gallon Dispenser  
without Base



**TSS1A000**  
Single Thermal  
Dispenser Base



**TSS2A000**  
Twin Thermal  
Dispenser Base



## Specifications

MODEL #	CAPACITY	HEIGHT	WIDTH	DEPTH	SHIP WEIGHT	SHIP CUBE
TXSG1501S600	1.5 Gallon	23.00"	9.00"	14.38"	15.0 lbs.	2.30 cu. ft.
TXSG0101S600	1.0 Gallon	20.50"	9.00"	14.38"	15.0 lbs.	2.30 cu. ft.
TXSG1501S200	1.5 Gallon	14.85"	9.11"	13.67"	12.0 lbs.	2.05 cu. ft.
TXSG0101S200	1.0 Gallon	12.40"	9.11"	13.67"	11.0 lbs.	2.05 cu. ft.
TSS1A000	N/A	8.96"	8.84"	14.38"	6.0 lbs.	1.25 cu. ft.
TSS2A000	N/A	8.96"	18.34"	14.38"	11.0 lbs.	2.05 cu. ft.

SPECIFICATIONS SUBJECT TO CHANGE WITHOUT NOTICE



**WILBUR CURTIS CO., INC.**  
6913 Acco Street, Montebello, CA 90640-5403  
Telephone: 800-421-6150 • 323-837-2300  
Fax: 323-837-2406  
www.wilburcurtis.com

