

Project: \_\_\_\_\_

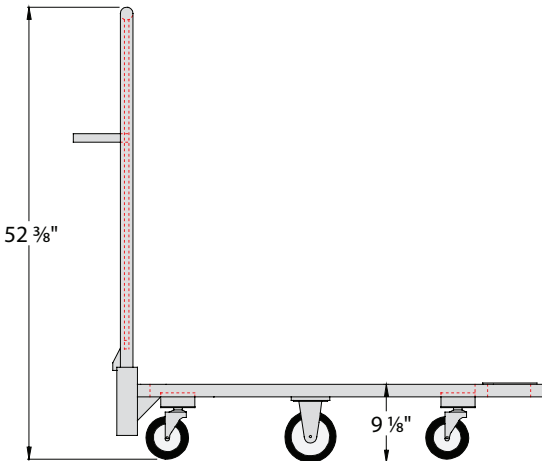
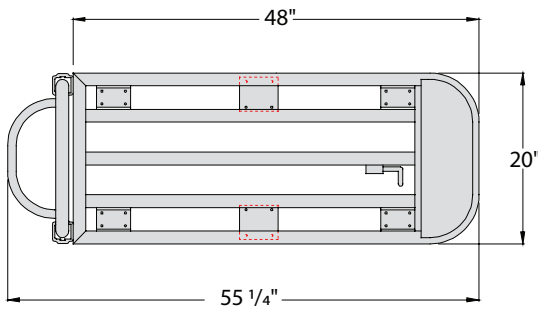
Item: \_\_\_\_\_

Quantity: \_\_\_\_\_

## Folding "L" Cart



95241



95370

Designed for transporting heavy loads from the backroom to the sales floor, this "L" Cart boasts 7½ square feet of deck space and conveniently folds up to use less than two square feet of storage space.

- Framework is constructed of 1½" x 1½"x .070" wall tubing.
- Handle is constructed of 1½" diameter pipe reinforced with ½" x 1" x .070" wall tubing.
- Equipped with four 5" plate type swivel casters and two 6" x 2" plate type rigid casters.
- Lifetime Guarantee against rust and corrosion.
- Five-Year Guarantee against workmanship and material defects.

### ► Folding "L" Cart

Model No.	Size W-H-L	Deck Height	Number Of Casters	Ship Lbs.
95370	20" x 52 <sup>3</sup> / <sub>8</sub> " x 55 <sup>1</sup> / <sub>4</sub> "	9"	6	53
95241	18" x 63" x 62"	9 <sup>1</sup> / <sub>8</sub> "	6	54

Six casters - four 5" swivel, two 2" x 6" rigid.



New Age Industrial Corp., Inc. || [NewAgeIndustrial.com](http://NewAgeIndustrial.com) || Made in the USA

PO Box 520 • 16788 US Hwy 36 • Norton, Kansas 67654 || Phone: (800) 255-0104 • (785) 877-5121 || Fax: (877)-877-7687 • (785) 877-2616

This information is for general sales and engineering use only. New Age Industrial reserves the right to modify or make changes at any time, without notice, to materials and specifications.