

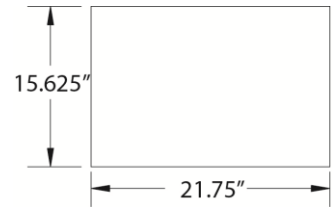


GOLD MEDAL® PRODUCTS CO.

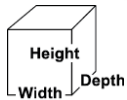
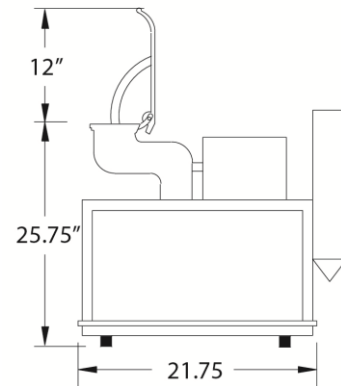
Sno-Konette Ice Shaver

Model No. 1003S

Specifications



Cabinet Base - Top View



Overall Dimensions:

Width: 26" (includes hopper)

Depth: 15.625"

Height: 27.5" (with hopper closed)

(Cup Dispenser adds 4" to width. Tray not included in dimensions shown.)

Electrical - Domestic

120V

972 WATTS 60 Hz

(NEMA 5-15P) Plug

Plug Type:

Agency Approvals:



Gold Medal Products Co.
10700 Medallion Drive, Cincinnati, OH 45241

Ph: (513) 769-7676, (800) 543-0862; Fax: (513) 769-8500
gmpopcorn.com info@gmpopcorn.com