

# HOT WATER DISPENSER

## HWB 2100 Series

### HWB-2110 Touchscreen

10 Gallon



The **HWB-2100** series combines the simplicity of a traditional style pull faucet with the modern convenience of a touchscreen interface. The touchscreen allows for easy access to temperature controls, dispense metrics and diagnostics while the simple screen layout makes it easy for staff to understand and operate.



**Touchscreen interface** for easy access to temperature controls, metrics and diagnostic screens.



**Exclusive FETCO HWB Pull Faucet Design** with soft silicone tap helps protect glass and ceramic serveware against damage.



**The interior top and sides** of the unit are fully insulated to maximize heat retention and improve efficiency.



**Mixed material construction** is durable for the rigors of back-of-house yet attractive enough for front-of-house.

## Water Specification

Water Inlet 3/8 inch male flare fitting	Minimum Flow Rate 1 1/2 gpm [5.7 lpm]	Water Pressure 20-75 psig [138-517 kPa]
--	--	--

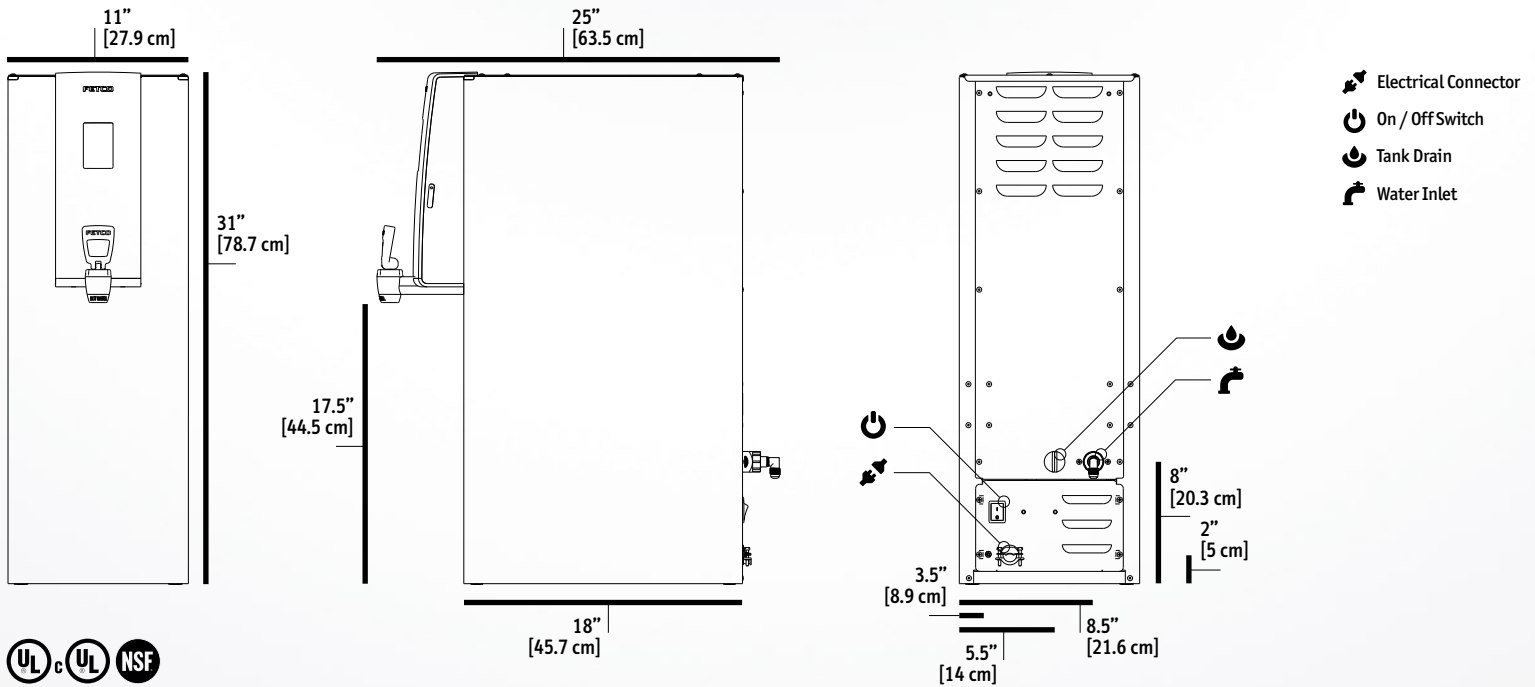
## Electrical Configuration

Configuration Code	Heater Configuration	Voltage	Phase	Wires	KW	Electrical Connection	Max Amp Draw	Gallon[Liter]/Hour
<b>US &amp; CANADA</b>								
B211051	2 x 3.0 kW	208-240	1	2+G	6.1	Terminal Block	25.4	11.0-15.0 [41.6-56.7] <sup>(1)</sup>
B211052	2 x 4.0 kW	208-240	1	2+G	8.1	Terminal Block	33.8	11.0-15.0 [41.6-56.7] <sup>(1)</sup>
<b>INTERNATIONAL</b>								
B211061	2 x 3.0 kW	230/400	2	2L / N / PE	5.6	Terminal Block	12.4	13.0-15.0 [49.2-56.7] <sup>(1)</sup>
B211062	2 x 4.0 kW	230/400	2	2L / N / PE	7.8	Terminal Block	16.2	13.0-15.0 [49.2-56.7] <sup>(1)</sup>

(1) Based on standard factory settings: 200°F water.

## Measurements

Height 31 1/2" [80.0 cm]	Width 11" [27.9 cm]	Depth 22 3/4" [56.5 cm]	Empty Weight 47 lbs [21.3 kg]	Filled Weight 92 lbs [41.7 kg]	Shipping Weight 59 lbs [26.8 kg]	Shipping Dimensions: 35" x 15" x 27" [89 x 38 x 69 cm]
-----------------------------	------------------------	----------------------------	----------------------------------	-----------------------------------	-------------------------------------	---



## Cups per Hour\*

8oz.	240	12oz.	160	16oz.	120	20oz.	96
------	-----	-------	-----	-------	-----	-------	----

\* Approximate based on maximum power setting.

## Information

fetco.com

800.338.2699 USA  
847.719.3000

847.719.3001

Food Equipment Technologies Co.  
600 Rose Road  
Lake Zurich, IL 60047  
USA