



SPECIALTY TABLES

MET/MMT/EFT/3SC/DC/BVT/PT SERIES

Item# _____ Project _____

Quantity 14GA 304
Model #

MOBILE EQUIPMENT TABLE

— MET-2430

MOBILE MIXER TABLE

— MMT-3030

— MMT-3036

EQUIPMENT FILLER TABLE

— EFT-24

— EFT-30

SINK CABINET

— 3SC-3024

— 3SC-3624

DISH CABINETS

— DC-1548

— DC-1560

— DC-1572

— DC-1584

— DC-1596

— DC-15120

— DC-15144

BEVERAGE TABLE

— BVT-48

— BVT-60

— BVT-72

— BVT-84

— BVT-96

PREP TABLE

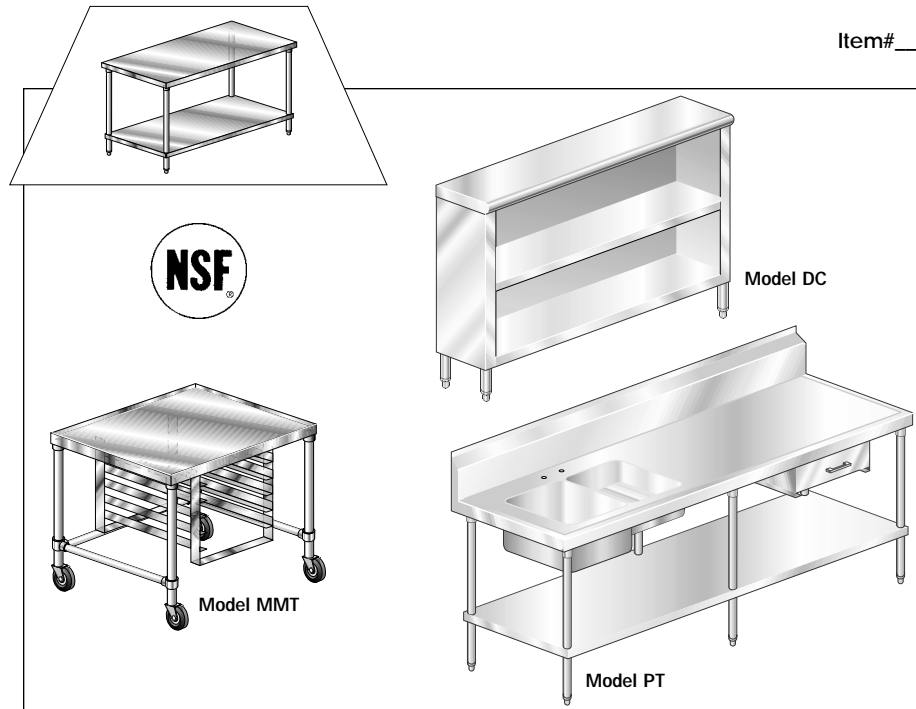
— PT-48

— PT-60

— PT-72

— PT-96

— PT-120



MATERIAL

TOP

- 14 gauge 304 series stainless steel. Two heavy gauge steel box channels on 24" wide tables for rigidity. Three heavy gauge steel box channels on 30" wide tables for rigidity

- Sound deadened between table top and channels.

SHELF

- 18 gauge 430 series stainless steel.

LEGS

- 1 1/2", O.D. 16 gauge 304 series stainless steel tubing, complete with 1" adjustable, impact resistant, white metal feet.

MMT Table includes:

- Stainless steel pan rack.
- 2 each 4" swivel casters with brakes.
- 2 each 4" swivel casters without brakes.

MET Table includes:

- Stainless steel handle with rubber bumpers.
- 2 each 4" swivel casters with brakes.

EFT Table includes:

- 1 1/4" turn down on 3 sides, 4" backsplash.
- Crossbracing: 1 1/4" O.D. 16 gauge 304 series stainless steel, 1 1/2" I.D. aluminum castings at all intersections.

Sink Cabinet includes:

- 10 x 14 x 10" deep bowl.
- Deck mount gooseneck faucet 4" o.c.
- 18 gauge 430 stainless steel body and hinged door.
- Shipped fully assembled.

Dish Cabinet includes:

- 18 gauge 430 stainless steel body.
- 2-18 gauge 430 stainless steel shelves.
- Shipped fully assembled.

BVT Table includes:

- 18 gauge 430 stainless steel enclosure and doors.
- 21 x 16 x 14 deep bowl.
- Urn trough with stainless steel grate.

PT Table includes:

- 20 x 16 x 10" deep bowl.
- 20 x 20 x 5" deep bowl.
- 20 x 15 x 5" deep Aerospec drawer on roller slides.

Note: Drawer not available on 48 & 60" wide tables.



Model EFT

DESIGN FEATURES

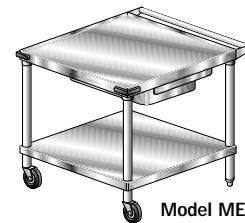
- All four sides have a "v" countertop edge (excluding EFT & DC) to eliminate spillage.
- Undershelf is the largest in the industry.
- All tables fully cartoned.
- Easily assembled.

EXCLUSIVE AERO SAFETY EDGE

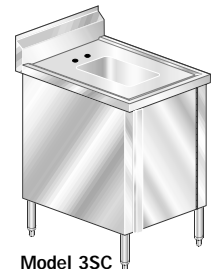
- Table hemmed on all four sides to eliminate cuts from rough edges.

CONSTRUCTION

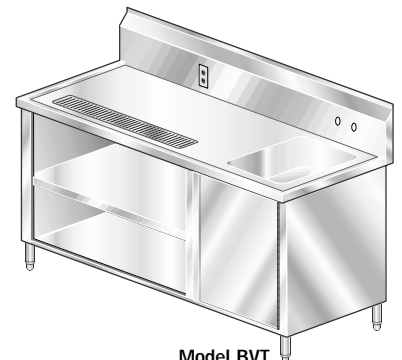
- Top is polished to a #4 mill finish.
- Heliarc welded construction creates uniform, rock-solid unit.
- Gussets fully welded to eliminate damage to table top.
- All tables shipped K.D.



Model MET



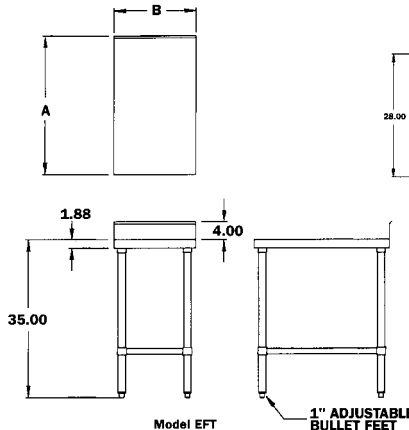
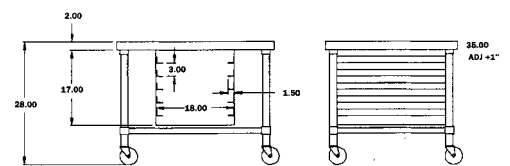
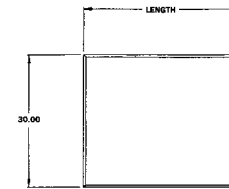
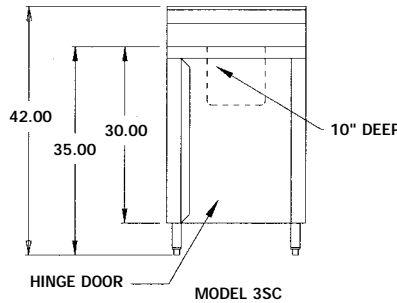
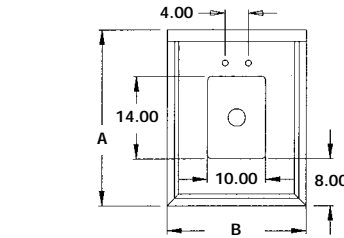
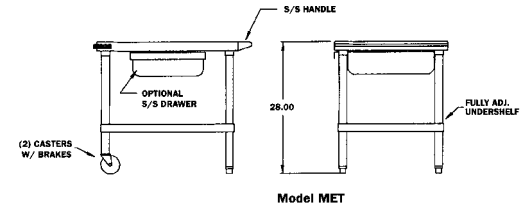
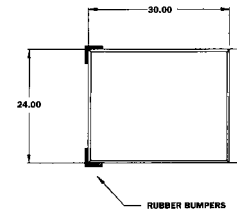
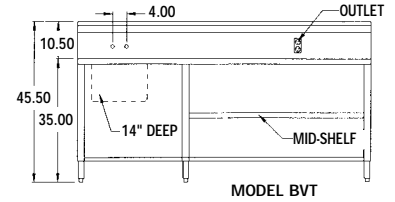
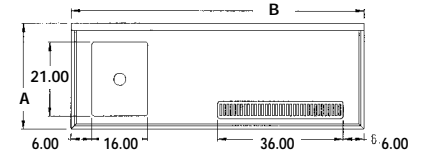
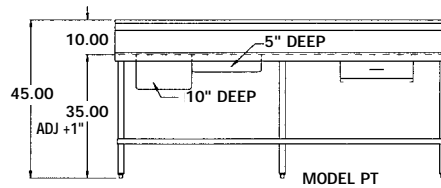
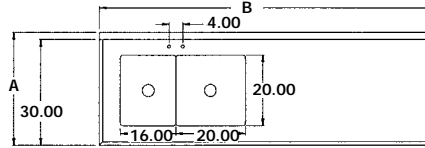
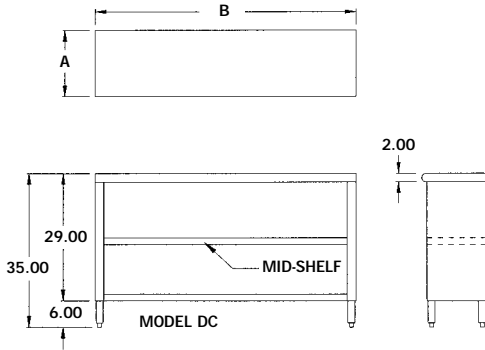
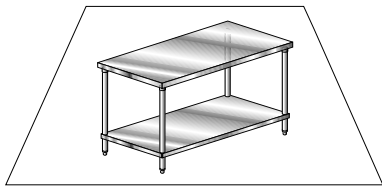
Model 3SC



Model BVT

email - sales@aeromfg.com

AERO MANUFACTURING COMPANY • 310 ALLWOOD ROAD, CLIFTON, NEW JERSEY 07012 • VOICE 973.473.5300 FAX 973.473.3794



A Width	B Length	14GA 304 Model #	Ship Weight	Cubic Feet
MOBILE EQUIPMENT TABLE				
24	30	MET-2430	58	15
MOBILE MIXER TABLE				
30	30	MMT-3030	72	19
30	36	MMT-3036	78	23
EQUIPMENT FILLER TABLE				
24	18	EFT-24	27	2
30	18	EFT-30	35	3
SINK CABINET				
30	24	3SC-3024	150	30
36	24	3SC-3624	175	30
DISH CABINET				
15	48	DC-1548	135	45
15	60	DC-1560	180	45
15	72	DC-1572	230	45
15	84	DC-1584	275	45
15	96	DC-1596	320	45
15	120	DC-15120	410	45
15	144	DC-15144	440	45
NOTE: 16 GA 304 Stainless Steel Top w/1 Rolled Edge Two Stainless Steel Undershelves				
BEVERAGE TABLE				
30	48	BVT-48	290	33
30	60	BVT-60	360	42
30	72	BVT-72	440	50
30	84	BVT-84	510	58
30	96	BVT-96	580	67
PREP TABLE				
30	48	PT-48	180	33
30	60	PT-60	230	42
30	72	PT-72	280	50
30	96	PT-96	370	67
30	120	PT-120	460	83



All dimensions are typical (tol. ±1/8"). • For Accessories and Options see pages TS-5A, TS-5B.

email - sales@aeromfg.com

AERO MANUFACTURING COMPANY • 310 ALLWOOD ROAD, CLIFTON, NEW JERSEY 07012 • VOICE 973473.5300 FAX 973.473.3794