

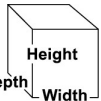
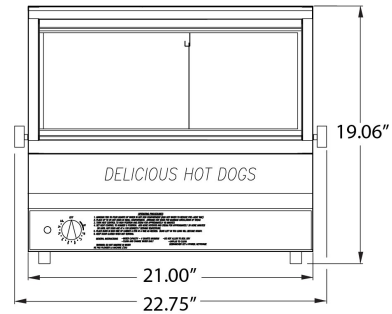
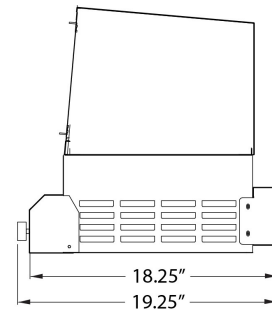


GOLD MEDAL® PRODUCTS CO.

Large Hot Dog Steamer

Model No. 8151

Specifications



Overall Dimensions:

Width: 22.75"

Depth: 19.25"

Height: 19.06"

Electrical - Domestic

120V

785 WATTS 60 HZ

(NEMA 5-15P) Plug

Plug Type:



NEMA 5-15P

Agency Approvals:



Gold Medal Products Co.

10700 Medallion Drive, Cincinnati, OH 45241

Ph: (513) 769-7676, (800) 543-0862; Fax: (513) 769-8500

gmpopcorn.com info@gmpopcorn.com