

SPEC# _____

QUANTITY _____

application:

**FLASH STEAMERS
& ESPRESSO**

model:

SGLP-RO



SGLP-RO

The 3M SGLP-RO ScaleGARD™ LP line pressure reverse osmosis (RO) system is uniquely designed to produce consistent quality water for the reduction of scale and corrosion causing minerals in flash steamer and espresso applications¹. The RO membrane is designed to remove many of the minerals that cause scale build-up and corrosion. Activated carbon and graded porosity pre-treatment help protect the RO membrane from chlorine and fine particulate.

PRODUCT BENEFITS

- Cartridge interconnect system allows for quick and easy cartridge change-outs. No spills, no mess.
- Integrated pump requires no power; operates on incoming water pressure².
- Sanitary Quick Change (SQC) encapsulated cartridges reduce contamination during change-outs.
- Rugged stainless steel bracket design is rust and corrosion resistant. Allows system to either be wall-mounted or set on a shelf.
- Compact design allows for installation in tight areas.
- FDA CFR-21 and/or NSF compliant materials.

PRODUCT SPECIFICATIONS

Model Number	Part Number	Description	Capacity ³	Application
SGLP-RO	56123-04	Reverse Osmosis System	75 gpd (284 lpd)	Flash Steamers, Espresso

¹ Carbon post filter is recommended when using ScaleGARD LP in espresso applications.

² Minimum 50 psi (344.7 kPa) feedwater pressure required.

³ Capacity is at 77°F (25°C) to atmosphere.

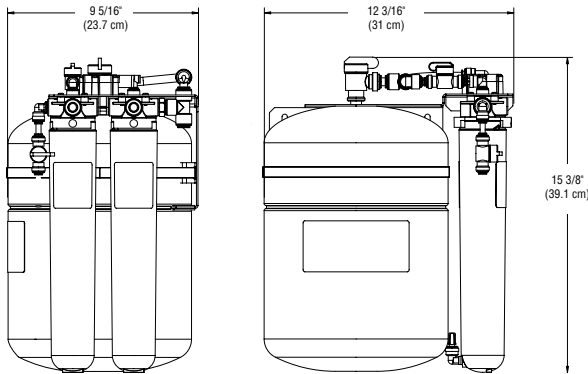
SGLP-RO

SPEC# _____
 QUANTITY _____
 MODEL NUMBER _____
 PART NUMBER _____

3M™ Water Filtration Products

PHYSICAL SPECIFICATIONS

- System incorporates reverse osmosis technology.
- System incorporates non-electric pump.
- System contains integrated pre-filtration for the reduction of particulate and chlorine taste and odor.
- RO membrane is a thin film composite (TFC) type.
- System is wall mountable with a stainless steel bracket design.
- System inlet plumbing connections are 1/4" quick disconnect type.
- System drain plumbing connections are 1/4" quick disconnect type.
- System outlet plumbing connections are 3/8" quick disconnect type.
- System incorporates an integrated 2 gallon (7.6 liter) water storage tank.
- System produces 75 gallons (284 liters) at 77°F (25°C) per 24 hour period.
- System minimum incoming water pressure of 50 psi (345 kPa) and a maximum of 100 psi (689 kPa) ± 15%.
- System minimum incoming water temperature of 40°F (4.4°C) and a maximum of 100°F (37.8°C).
- System incoming water pressure must be between 50 and 100 psig ± 15% or external pump is required.
- System materials are FDA CFR-21 and/or NSF compliant.



Replacement Cartridges

Part Number	Type	Qty. Required
55706-11	5 Micron Pre-Filter Cartridge	1
55987-21	Reverse Osmosis Membrane	1

⚠ WARNING: To reduce the risk associated with the ingestion of contaminants:

- Do not use with water that is microbiologically unsafe or of unknown quality without adequate disinfection before or after the system.

3M Purification Inc. recommends regularly scheduled maintenance and replacement of the filter cartridge(s) in order for the product to perform as advertised/sold. 3M Purification Inc. shall not be liable for system failures due to improper maintenance.

LIMITED WARRANTY

3M Purification Inc. warrants SGLP-RO only to be free from defects in material and workmanship for two (2) years from the date of purchase. The disposable filter cartridge is warranted from defects in material and workmanship for a period of one (1) year from the date of purchase. This warranty does not cover failures resulting from abuse, misuse, alterations or damage not caused by 3M Purification Inc. or failure to follow installation and use instructions. No warranty is given as to the service life of any filter cartridge or membrane as it will vary with local water conditions and consumption. **3M PURIFICATION INC. MAKES NO OTHER WARRANTIES OR CONDITIONS, EXPRESS OR IMPLIED, INCLUDING, BUT NOT LIMITED TO, ANY IMPLIED WARRANTY OR CONDITION OF MERCHANTABILITY OR FITNESS FOR A PARTICULAR PURPOSE OR ANY IMPLIED WARRANTY OR CONDITION ARISING OUT OF A COURSE OF DEALING, CUSTOMER OR USAGE OF TRADE.** If the Product fails to satisfy this Limited Warranty during the warranty period, 3M Purification Inc., at its option, will replace the Product or refund your Product purchase price. This warranty does not cover labor. **The remedy stated in this paragraph is Customer's sole remedy and 3M Purification Inc.'s exclusive obligation. For additional information, see the entire Limited Warranty located in the product Installation and Operation Instruction Manual.**

Limitation of Liability: 3M Purification Inc. will not be liable for any loss or damage arising from this 3M Purification Inc. product, whether direct, indirect, special, incidental, or consequential, regardless of the legal theory asserted, including warranty, contract, negligence or strict liability. Some states and countries do not allow the exclusion or limitation of incidental or consequential damages, so the above limitation or exclusion may not apply to you.

IMPORTANT: INSTALLATION TIPS

These installation tips are for informational purposes only and are not intended to be used as actual installation instructions. **CAUTION: To reduce the risk associated with property damage due to water leakage:**

- **Read and follow** Use Instructions before installation and use of this system.
- Installation and use **MUST** comply with all state and local plumbing codes.
- **Protect from freezing**, remove filter cartridge when temperatures are expected to drop below 40°F (4.4°C).
- **Do not install on hot water supply lines.** The maximum operating water temperature of this filter system is 100°F (37.8°C).
- **Do not install** if water pressure exceeds 100 psi (689 kPa). If your water pressure exceeds 80 psi (552 kPa), you must install a pressure limiting valve. Contact a plumbing professional if you are uncertain how to check your water pressure.
- **Do not install** where water hammer conditions may occur. If water hammer conditions exist you must install a water hammer arrester. Contact a plumbing professional if you are uncertain how to check for this condition.
- The disposable filter cartridge **MUST** be replaced every 12 months, at the rated capacity or if a noticeable reduction in flow rate occurs.

