



T&S BRASS AND BRONZE WORKS, INC.

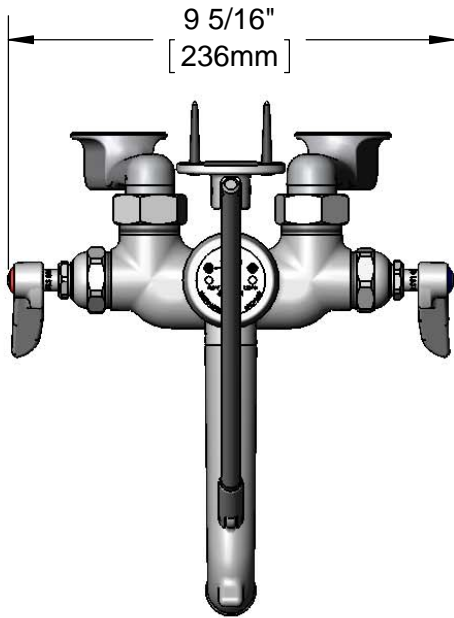
2 Saddleback Cove / P.O. Box 1088
Travelers Rest, SC 29690

Model No.

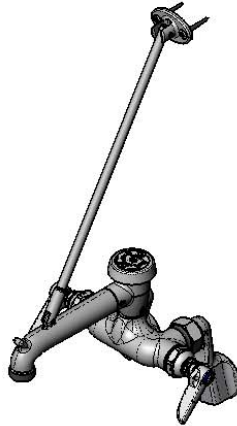
B-0668-POL

Item No.

Travelers Rest, SC: 800-476-4103 • Simi Valley, CA: 800-423-0150 • Fax: 864-834-3518 • www.tsbrass.com



ADA Compliant



This Space for Architect/Engineer Approval

Job Name _____ Date _____

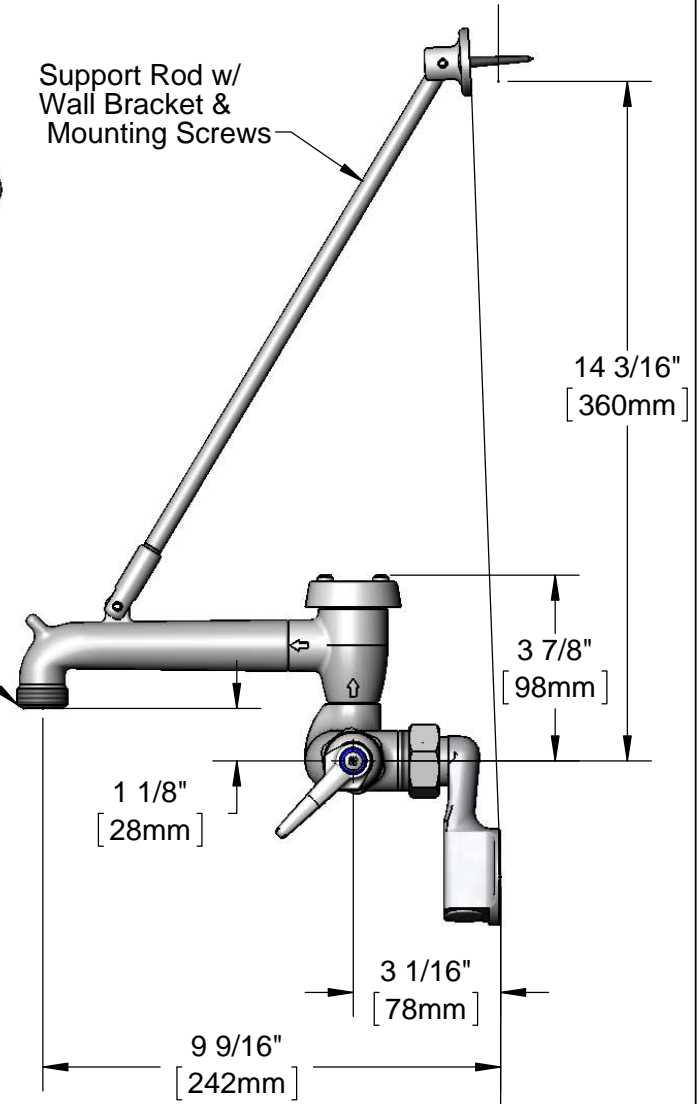
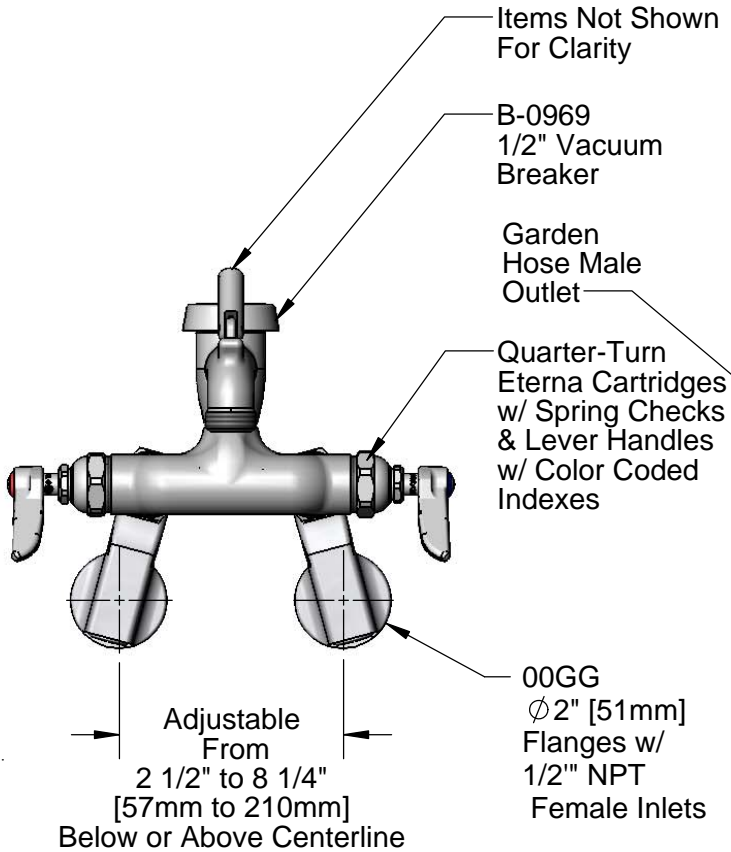
Model Specified _____ Quantity _____

Customer/Wholesaler _____

Contractor _____

Architect/Engineer _____

Support Rod w/
Wall Bracket &
Mounting Screws



Product Specifications:

Adjustable Wall Mount Service Sink Faucet, Quarter-Turn Eterna Cartridges w/ Spring Checks, Polished Chrome Finish, Vacuum Breaker, Lever Handles, Upper Support Rod, 1/2" NPT Female Adjustable Inlets & Garden Hose Male Outlet

Product Compliance:

ASME A112.18.1 / CSA B125.1
NSF 61 - Section 9
NSF 372 (Low Lead Content)
ANSI A117.1 (ADA)
ASSE 1001 (VB)



T&S BRASS AND BRONZE WORKS, INC.

2 Saddleback Cove / P.O. Box 1088
Travelers Rest, SC 29690

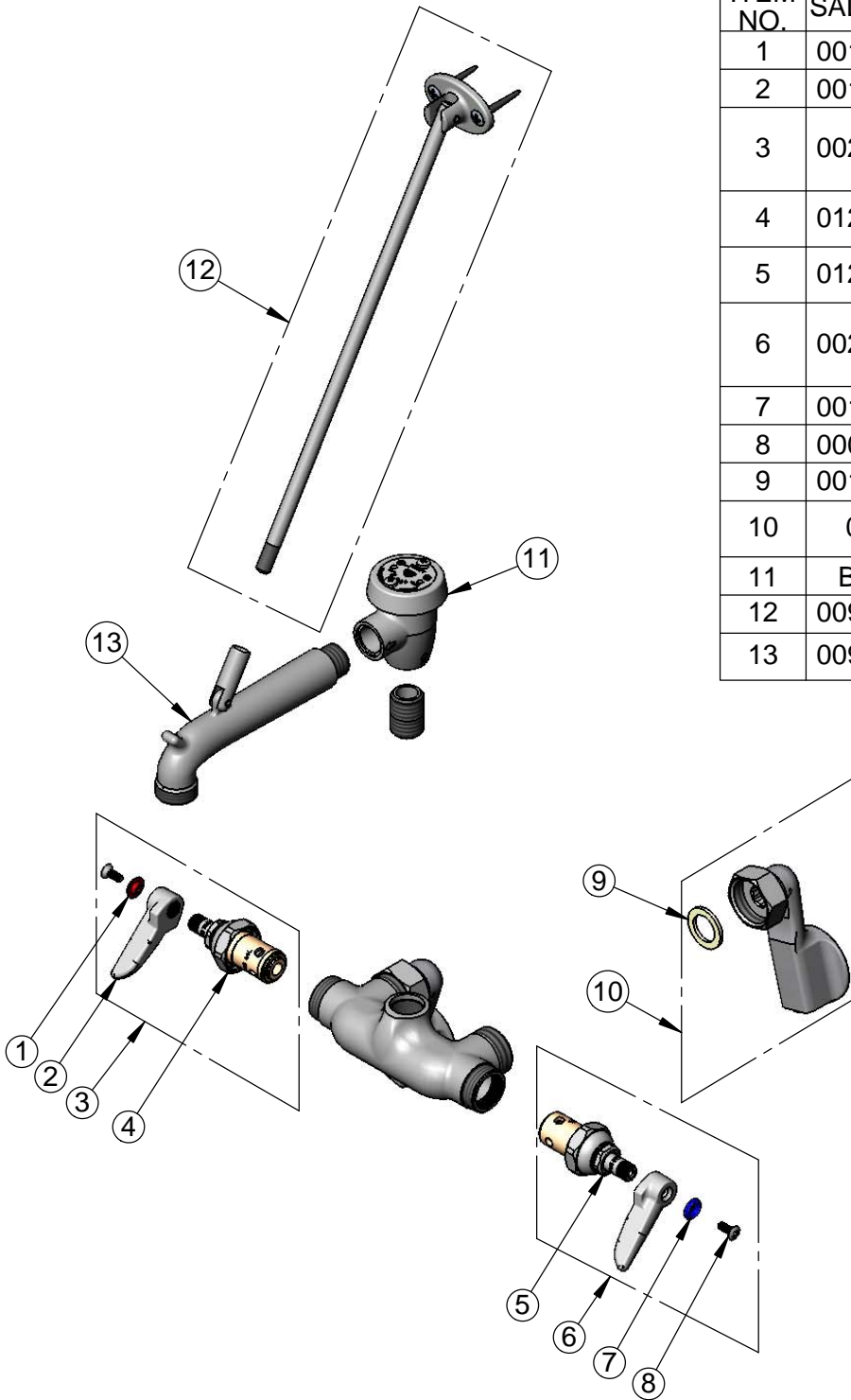
Model No.

B-0668-POL

Item No.

Travelers Rest, SC: 800-476-4103 • Simi Valley, CA: 800-423-0150 • Fax: 864-834-3518 • www.tsbrass.com

ITEM NO.	SALES NO.	DESCRIPTION
1	001661-45	Red Index-HW
2	001638-45	Lever Handle
3	002712-40	Quarter-Turn Eterna Cartridge, RTC w/ Spring Check, Handle, Index & Screw
4	012443-40	Quarter-Turn Eterna Cartridge, RTC w/ Spring Check
5	012442-40	Quarter-Turn Eterna Cartridge, LTC w/ Spring Check
6	002711-40	Quarter-Turn Eterna Cartridge, LTC w/ Spring Check, Handle, Index & Screw
7	001660-45	Blue Index-CW
8	000922-45	Lever Handle Screw
9	001019-45	Coupling Nut Washer
10	00GG	Flange Assembly, 1/2" NPT, Adjustable
11	B-0969	1/2" NPT Vacuum Breaker
12	009546-40	Upper Support Rod Assembly
13	009545-40	Spout w/ Top Support Clevis



Product Specifications:

Adjustable Wall Mount Service Sink Faucet, Quarter-Turn Eterna Cartridges w/ Spring Checks, Polished Chrome Finish, Vacuum Breaker, Lever Handles, Upper Support Rod, 1/2" NPT Female Adjustable Inlets & Garden Hose Male Outlet

Product Compliance:

ASME A112.18.1 / CSA B125.1
NSF 61 - Section 9
NSF 372 (Low Lead Content)
ANSI A117.1 (ADA)
ASSE 1001 (VB)