



FOOD EQUIPMENT

SERVING THE FOOD INDUSTRY SINCE 1951

1750 W COUNTERTOP ELECTRIC GRIDDLE

ITEM: 43212 | MODEL: CE-CN-0405

OMCAN'S COUNTERTOP ELECTRIC GRIDDLE

is made up of heavy-duty stainless steel construction that is suitable for commercial use. Designed to be safe and energy efficient.

Features independent thermostat controls for convenient use, and high efficiency stainless steel heating element.



Authorized Dealer



WARRANTY
PARTS AND LABOR



FOOD EQUIPMENT

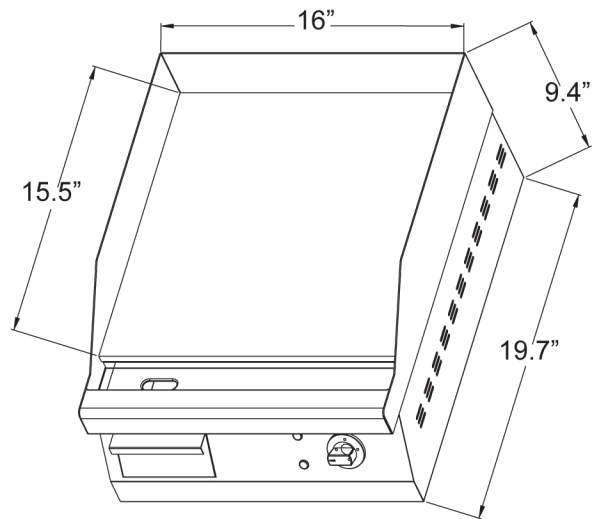
1750 W COUNTERTOP ELECTRIC GRIDDLE CE-CN-0405



TECHNICAL SPECIFICATIONS

ITEM NUMBER	43212
MODEL	CE-CN-0405
POWER	1750 W
TEMPERATURE	65° - 300°C / 150° - 570°F
COOKING AREA (WD)	16" x 15.5" / 406 x 394mm
ELECTRICAL	120V/60/1Ph
WEIGHT	24.3 kg. / 53.6 lbs.
PACKAGING WEIGHT	28.9 kg. / 63.7 lbs.
DIMENSION (WDH)	16.14" x 19.76" x 9.4" / 410 x 502 x 239 mm
PACKAGING DIMENSIONS	24" x 14" x 18" / 610 x 356 x 457 mm

TECHNICAL DRAWING AND DIMENSIONS



FEATURES

- Commercial heavy-duty stainless steel construction
- Quick heating and large cooking area
- Top and bottom double welding technology
- High efficiency stainless steel heating element
- Thick steel cooking plate, high heat retention and even heating
- Stainless steel control knobs
- Large removable grease tray
- Extra steel splash-guard inside and back for protection against grease and spills
- Power and heating lights
- High output, high efficient and energy saving



WARRANTY
PARTS AND LABOR



NEMA
5 - 20
125 VAC / 20 AMP
RECEPTACLE



OMCAN INC.

Telephone: 1-800-465-0234

Fax: (905) 607-0234

Email: sales@omcan.com

Website: www.omcan.com



Follow us to keep up to date with the latest news and offers



2018.E.O.E