

Project: \_\_\_\_\_ Location: \_\_\_\_\_ Item #: \_\_\_\_\_ Quantity: \_\_\_\_\_

## Standard Features

- 316 stainless kettle liner
- 304 stainless kettle jacket
- Kettle Protection System
- Thermostat temperature control, 150°F-260°F
  - Pressure relief valve
  - Air eliminator valve
  - Pressure gauge
  - Jacket-water fill and sight glass
  - Automatic low water cutoff and indicator light
  - Safety pilot control
- Full body insulation (3" - 14") between kettle jacket and outer casing
- Electronic ignition, 120V standard
- 304 stainless outer casing seam welded to the 3" reinforced radius lip
- 304 stainless, seam welded control console
- 304 stainless, reinforced gear box
- 304 stainless, seam welded tubular frame construction
- Self-locking, permanently lubricated, single reduction worm gear case
- Etched gallon markings
- Faucet bracket
- Adjustable flanged feet

## Optional Features

- Single or dual faucet with bracket & 12" or 18" swing nozzle\*
- 60" flexible spray hose assembly (vinyl or stainless) for dual or single faucet\*
- Automatic water filling meter (ALAC-WS)
- Mixer/agitator lid, two speed (Call for pricing)
- Correctional Package\*

\* Call AccuTemp for additional information

## Electrical Options

120V, 208V, 240V

## Short Spec

AccuTemp Edge Series gas powered tilting kettle, 2/3 jacketed, model ALTLGB-40. Seamless deep-drawn 316 kettle liner with integrally formed radius lip and 304 stainless steel kettle jacket, pressure relief valve, air eliminator valve, pressure gauge, jacket-water fill valve, automatic low water cut off and indicator. Self-locking worm gear tilt mechanism, 2" tubular support frame. Tilting cut-off switch. Seam welded control console with thermostat temperature control, 150°F to 260°F (65°C to 126°C). Etched gallon markings and faucet bracket. Adjustable flanged feet.

## Other Approvals

GAS-FIRED



## Accessories

- Care Kit (ALKCK-L)
- Electric timer with buzzer (ALAT)
- Gas quick disconnect 1/2"\*
- Flexible gas hose 1/6" x 60" (ALTQDH)
- Draw off drain hose (ALDIH)
- Disc strainer; solid or perforated, 1/8" or 1/4"\*
- Measuring strip (ALMS)
- Lift-off cover (ALLCT-S (5-25 gal) OR ALLCT-M (30-60 gal))
- One piece actuator-assisted, 20-80 gal. (ALACT-M)
- Single basket 20-40 gal. (ALSBI-M)
- Tri-basket insert (ALTBI-S)
- Nylon bag insert with spreader ring (ALNBI)
- 2" or 3" draw off valve, compression or ball type fitting\*

\* Call AccuTemp for additional information



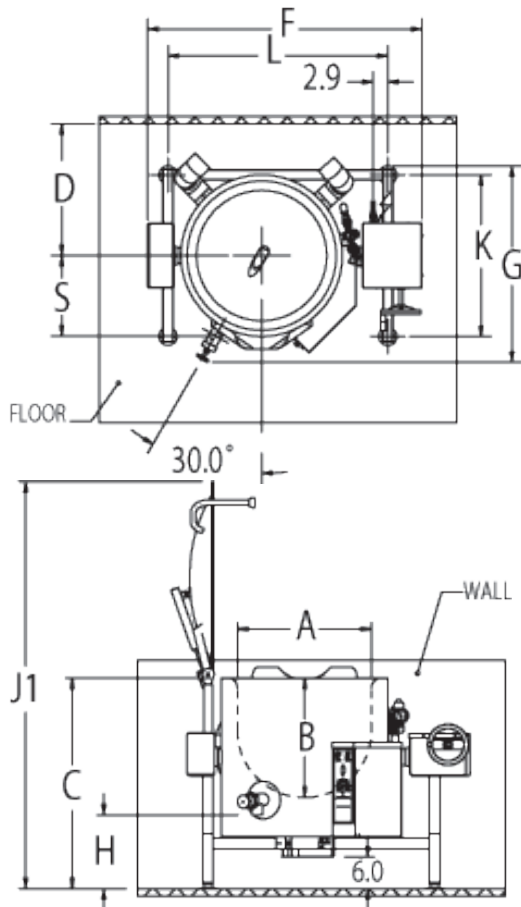
ALTLGB-40-QS

**INSULATED SELF-CONTAINED KETTLE-  
ALTLGB-40-QS**

40 GALLON CAPACITY—Electric, 2/3 Jacketed  
Insulated for Safety™ Deep Drawn Construction  
Tilting, Floor Mounted. Made in USA

Gal.	BTU RATING	Natural	Electrical
	Natural		
40	79,900	Supply Piping: 1/2" IPS	120 volt (standard) 208/240 volt (optional) 50/60 Hz 1 Phase 1 Amp
		Supply Piping: 3/4" IPS	
		Supply Pressure: 5-7" W.C. (nominal)	
		Outlet Pressure Factory Setting: 3.5" W.C.	

MODEL ALTLGB DIMENSIONS*															
Gal.	A	B	C	C1	D	F	G	H	J1	K	L	S	TI	XI	XO
40	25.5	22.3	40.1	9.2	25.8	53.8	38.4	14.0	75.5	31.6	43.1	15.7	25.0	14.9	32.3



\*Dimensions on these drawings are applicable when using an optional 2" diameter draw-off valve. If a 3" diameter draw-off valve is required, contact AccuTemp for applicable dimensions.

Unit is supplied with 6' cord with plug.

