



FOOD EQUIPMENT

SERVING THE FOOD INDUSTRY SINCE 1951

CHIP DUMP STATION WITH HEATING LAMP

Item: 43260

Model: FW-CN-0032-F



Excellent for fast food operations. This stainless steel made chip dump station provides outstanding durability. Comes with a removable perforated drain board and a drip pan for draining excessive oil from fried food. Equipped with 2 overhead heating lamps. Ensuring your perfectly cooked French fries, chicken wings, and onion rings are warm and ready to serve at anytime.



WARRANTY
PARTS AND LABOR



Authorized Dealer

FOOD EQUIPMENT

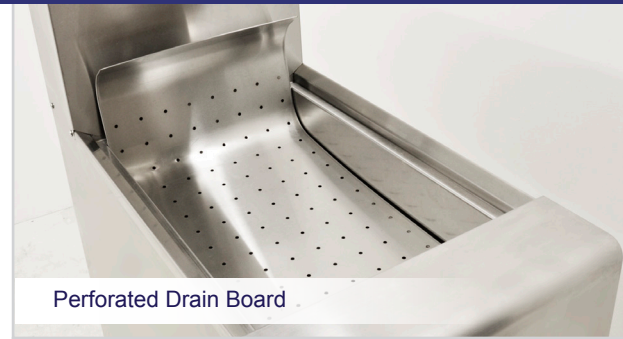
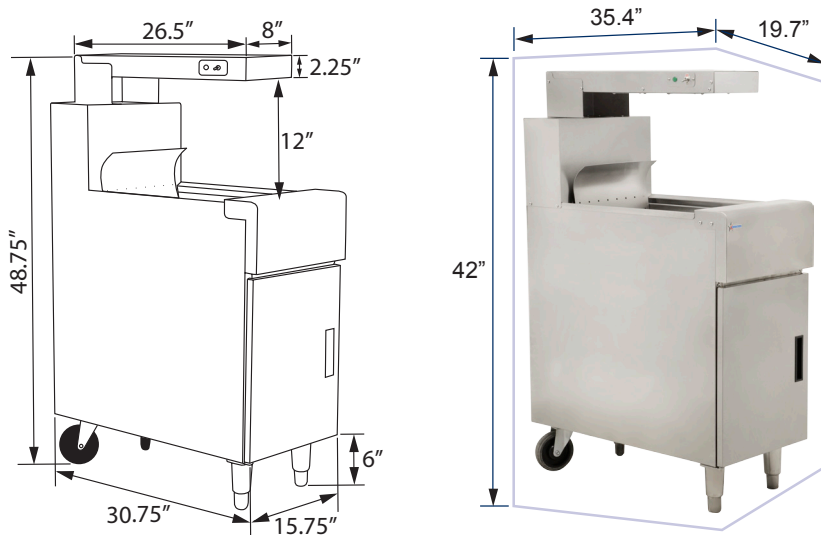
CHIP DUMP STATION WITH HEATING LAMP



FEATURES

- Includes removable perforated drain board for drainage
- Oil drip pan comes with 2 handles for easy transport
- Durable stainless steel construction
- Equipped with 2 casters and fixed legs
- Spacious cabinet - (DWH) 29" x 13.5" x 18.5"

DIMENSIONS



Perforated Drain Board



Oil Drip Pan



2 Overhead Heat Lamps



Cabinet With Removable Bottom Panel

TECHNICAL SPECIFICATION

ITEM NUMBER	43260
MODEL	FW-CN-0032-F
DESCRIPTION	Stainless steel chip dump with 2 halogen heating lamps, 2 casters and 2 fixed legs
OIL DRIP PAN DIMENSIONS	(DWH) 19" x 13" x 4" / 482.6 x 330 x 101.6 mm
CABINET DIMENSIONS	(DWH) 29" x 13.5" x 18.5" / 736.6 x 343 x 470 mm
POWER	200 watt
ELECTRICAL	110v/60hz/1ph
NET DIMENSIONS	30.75" x 15.75" x 48.75" / 781 x 400 x 1238 mm
GROSS DIMENSIONS	19.7" x 35.4" x 42" / 500 x 900 x 1200 mm
NET WEIGHT	38 kg/ 83.8 lbs
GROSS WEIGHT	52 kg/ 114.6 lbs

OMCAN INC.

Telephone: 1-800-465-0234

Fax: (905) 607-0234

Email: sales@omcan.com

Website: www.omcan.com



Follow us to keep up to date with the latest news and offers



2015.E.O.E