



# ROYAL SERIES PLUMBING

## WASTE DRAIN OVERFLOW ASSEMBLY

MODEL: \_\_\_\_\_ PROJECT: \_\_\_\_\_ ITEM #: \_\_\_\_\_ QTY: \_\_\_\_\_

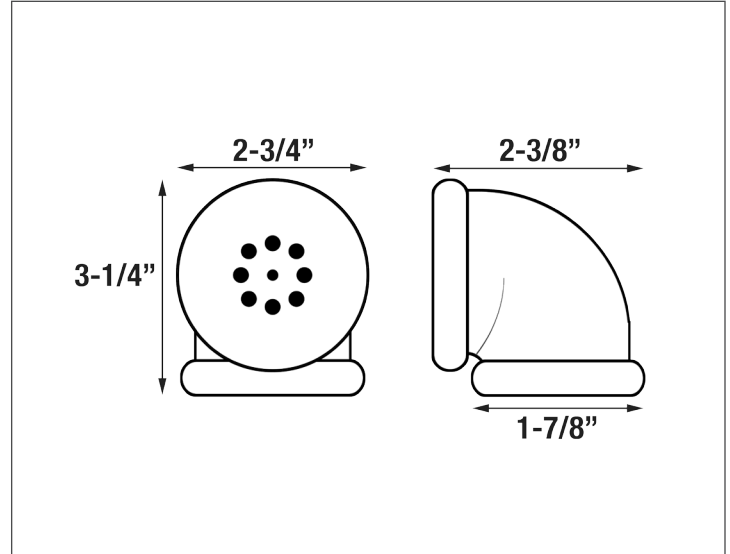
### PRODUCT IMAGE



22-500 SHOWN

**THIS PRODUCT DOES NOT REQUIRE  
LOW LEAD COMPLIANCE**

### DRAWING



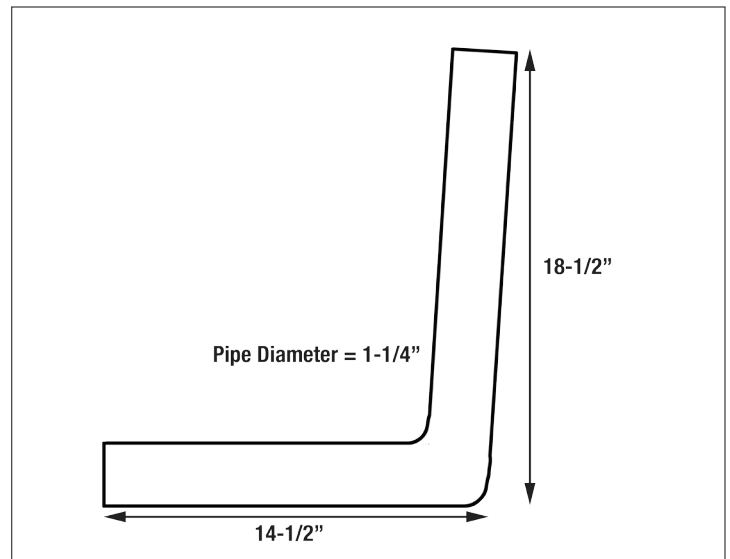
### PRODUCT IMAGE



22-501 SHOWN

**THIS PRODUCT DOES NOT REQUIRE  
LOW LEAD COMPLIANCE**

### DRAWING



#### APPROVED BY:

#### CERTIFICATIONS:

Due to our commitment to continued product improvement, specifications are subject to change without notice.

Printed in the USA

**Krowne Metal Corporation**

100 Haul Rd. Wayne, NJ 07470 • Toll Free: (800) 631-0442 • Fax: (973) 872-1129  
sales@krowne.com • www.krowne.com • www.facebook.com/KrowneMetal • www.twitter.com/KrowneMetal

Rev. 09/2011  
No. 22-500,1