

## TOTALLY QUIET (TQ) COMPACT TRAY DELIVERY CARTS SINGLE DOOR WITH ONE TRAY PER SLIDE

Compliant with  
NSF/ANSI Standard 2

### Item Numbers

DXPTQC1T1D8



DXPTQC1T1D8

### Application

TQ Compact Carts offer you a cart that has a notable sound dampening construction where quiet is a needed commodity.

This equipment is intended for "Industrial Use Only".

### Construction

TQ Compact Cart is a single door tray delivery cart with an all stainless steel modular construction. The cart has (standard) 4-3/4" tray height spacing (additional tray spacings are available - consult factory for availability) with 1 tray per shelf for a total of 8 tray capacity. Comes with heat release vented side panels and standard corner bumpers. The cart has gravity locking doors with noise suppression door bumpers and gravity locking (open) door with door stop for noise reduction. The cart comes with an interchangeable rack system with adjustable sizing to accommodate for

different tray sizes. The racks also have noise reduction gravity locking brackets with a press lever release mechanism. The side panels of the cart have a noise reduction channel to prevent vibration while the cart is in motion.

### Casters

The cart comes with 6" Performa casters with noise suppression bearing covers, high temperature wash resistant noise dampening bearing grease and caster isolation pads (2 rigid, 2 swivel with Tech lock brakes).

### Standard Features

- 6" Performa casters with noise suppression bearing covers (2 rigid, 2 swivel with Tech lock brakes)
- Corner bumpers
- Vertical push handles
- Gravity locking doors with door stop
- Full length door handles

- 4-3/4" tray height spacing

### Compatible Tray Sizes

- 12" x 19"
- 12" x 20"
- 14" x 18"
- 15" x 20"
- DXRST152003

### Warranty

One year parts and labor.

*We do not accept returns on any Dinex equipment or Dinex custom products.  
Please contact your local Dinex rep to ensure order accuracy prior to ordering.*

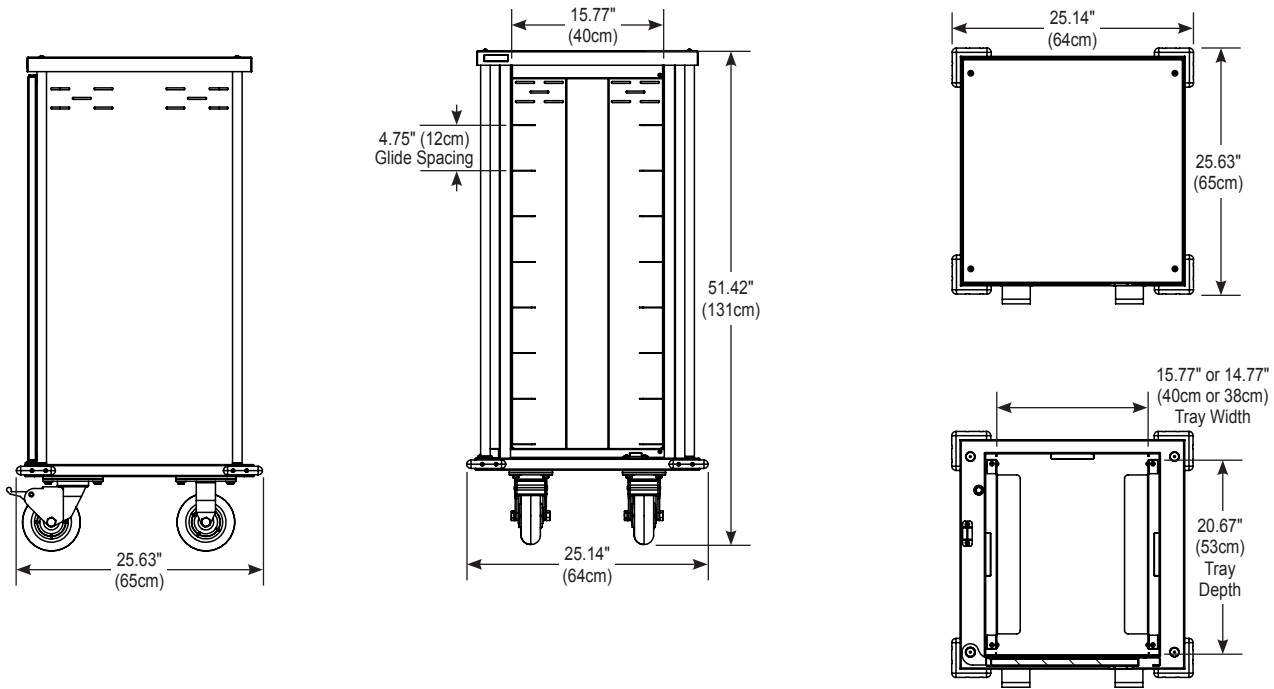
# DINEX®

4711 E. Hefner Road  
Oklahoma City, OK 73131  
800.654.8210 | 405.475.5600  
www.dinex.com

Rev 09/20

# TOTALLY QUIET (TQ) COMPACT TRAY DELIVERY CARTS

## SINGLE DOOR WITH ONE TRAY PER SLIDE



### Items and Dimensions

ITEM NUMBER	WIDTH*	DEPTH*	HEIGHT	CASTERS		SHIP CUBE	TRAY SPACING	CART WEIGHT	TRAY CAPACITY
				TYPE	DIAMETER				
DXPTQC1T1D8	25.14" (64cm)	25.63" (65cm)	51.42" (131cm)	2 rigid, 2 swivel w/Tech lock brakes	6" (15cm)	254 lb (115kg)	4.75" (12cm)	120 lbs (54kg)	8

\* Wrap around bumper option adds 2" (5cm) to the overall length and depth

**All carts are designed for the following tray sizes:**  
12" x 19", 12" x 20", 14" x 18", 15" x 20", DXRST152003

### Standard Options Available

- 3 & 4 Sided Top Rails
- Menu Holder
- Floor Drain
- Wrap Around Bumpers\*
- Contact your Sales Representative for more information on the available standard options

Please confirm that you have the most current specification sheet by visiting [www.dinex.com](http://www.dinex.com).

It is Dinex's policy to offer equipment which is design certified by companies that have been accredited at the federal level by the Occupational Safety and Health Agency (OSHA) and ANSI as a national recognized testing laboratory. These companies include CSA International, Underwriters Laboratories, Edison Testing Laboratories and National Sanitation Foundation. However, a continuing program of product improvement makes it necessary to submit new models to the agencies as they are developed. Consequently, all models may not bear the appropriate labels at all times.

Dinex reserves the right to change specifications and product design without notice. Such revisions do not entitle the buyer to corresponding changes, improvements, additions or replacements for previously purchased equipment.

