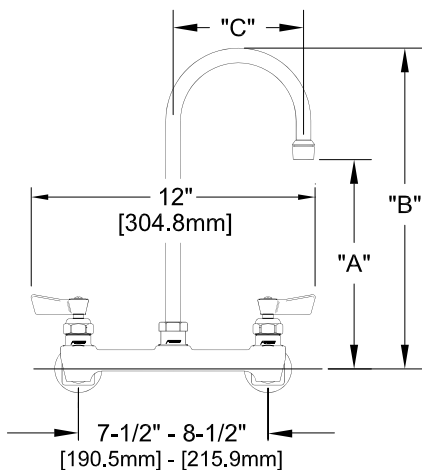
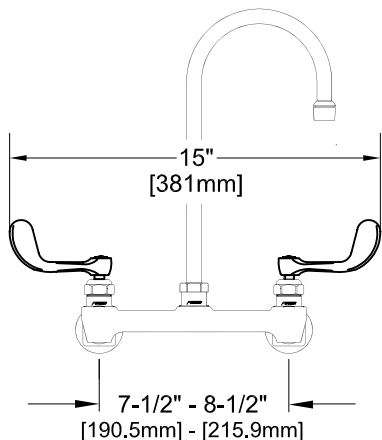


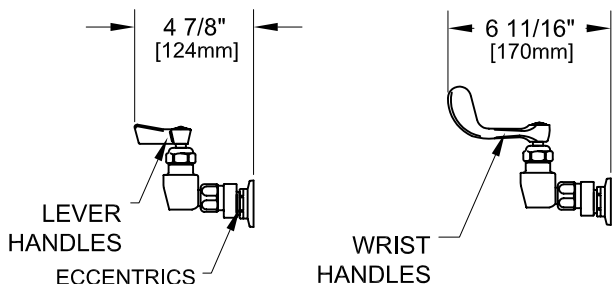
7-1/2" - 8-1/2" ADJ. WALL W/ LEVER HANDLES



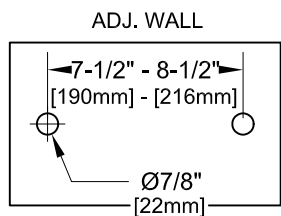
7-1/2" - 8-1/2" ADJ. WALL W/ WRIST HANDLES



7-1/2" - 8-1/2" ADJ. WALL



ROUGH-IN:



ANSI/A112.18.1-2005

PRODUCT NAME:

STAINLESS STEEL ADJUSTABLE WALL FAUCET WITH SWIVEL / RIGID GOOSENECK SPOUT

MODEL:

- 53260 W/ 6" SWIVEL/RIGID GOOSENECK SPOUT W/ LEVER HANDLES
- 53279 W/ 12" SWIVEL/RIGID GOOSENECK SPOUT W/ LEVER HANDLES
- 57584 W/ 6" SWIVEL/RIGID GOOSENECK SPOUT W/ WRIST HANDLES
- 57592 W/ 12" SWIVEL/RIGID GOOSENECK SPOUT W/ WRIST HANDLES

FEATURES

CONTROL VALVE

- * 7-1/2" - 8-1/2" ADJUSTABLE WALL MOUNT
- * ECCENTRICS
- * STAINLESS STEEL CONSTRUCTION
- * SWIVELLING SEAT DISKS
- * HOT SIDE STEM - RIGHT HAND
- * COLD SIDE STEM - LEFT HAND
- * LEVER HANDLES OR WRIST HANDLES
- * GOOSENECK SPOUT

SYSTEM LIMITS

- * TEMP: 40°F MIN. TO 140°F MAX.
- * 2.20 GPM @ 60 PSI

SHIPPING WEIGHT

- * 3.5 LBS

* NSF 61-9 APPROVED & LISTED

www.trueddall.com

MODELS	DIM "A"	DIM "B"	DIM "C"
53260	4-1/2"	8-1/16"	3-1/2"
57584	[114.3mm]	[204.8mm]	[88.90mm]
53279	8-1/4"	12-1/4"	5-1/2"
57592	[209.6mm]	[311.2mm]	[139.7mm]



FISHER MANUFACTURING COMPANY

TOLL FREE: 800-421-6162 - FAX: 800-832-8238

information@fisher-mfg.com - www.fisher-mfg.com