

Blueair by BLUENIX

MODEL BLUI-150A ICE MACHINE UNDERCOUNTER



Produces up to 133 lbs of ice daily

Units produce individual crescent ice cubes.



Durable stainless steel cabinet and evaporator

with removable air filter.



Easy cleaning system

How to disassemble for cleaning
follow this youtube link:
<https://www.youtube.com/watch?v=HlkQ6RK87Nc>



Digital Self Diagnostic System

Power switch is accessible without
panel removal

**3 YEAR
WARRANTY**

PARTS & LABOR

**5 YEAR
WARRANTY**

COMPRESSOR & EVAPORATOR

Valid in the Continental United States

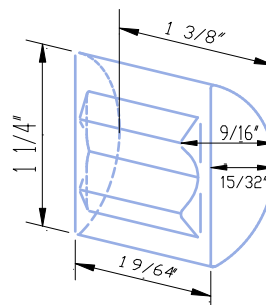
Service

- Panels easily removed and all components accessible for service
- Removable/cleanable air filters
- Allow 6" (15 cm) clearance at rear, sides, and top for proper air circulation and ease of maintenance/service

Plumbing

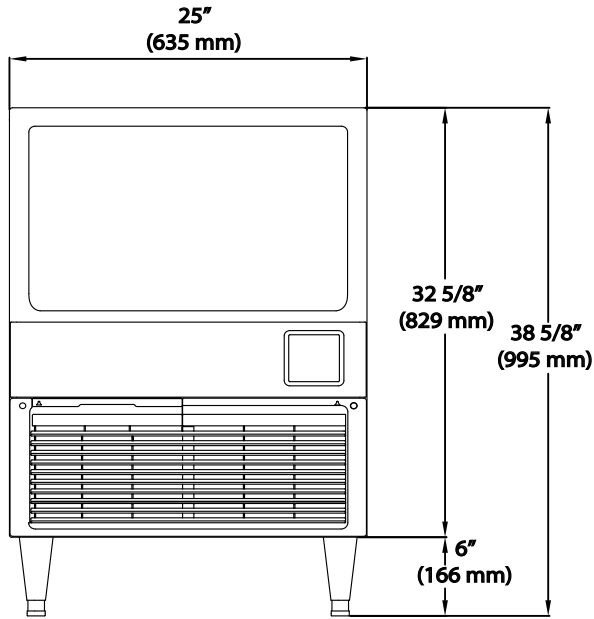
- Icemaker Water Supply Line: Minimum 3/8" Nominal ID Copper Water Tubing or Equivalent
- Icemaker Drain Line: Minimum 3/4" Nominal ID Hard Pipe or Equivalent

Cube Dimensions

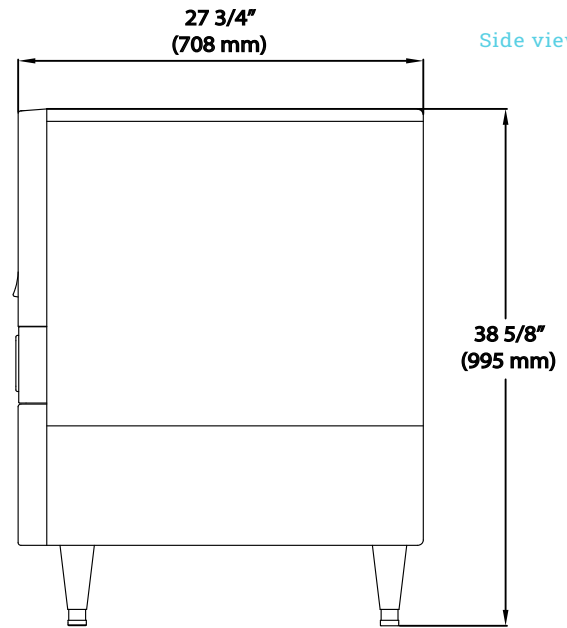


Approximate Size in inches,
image not to scale.

Front view

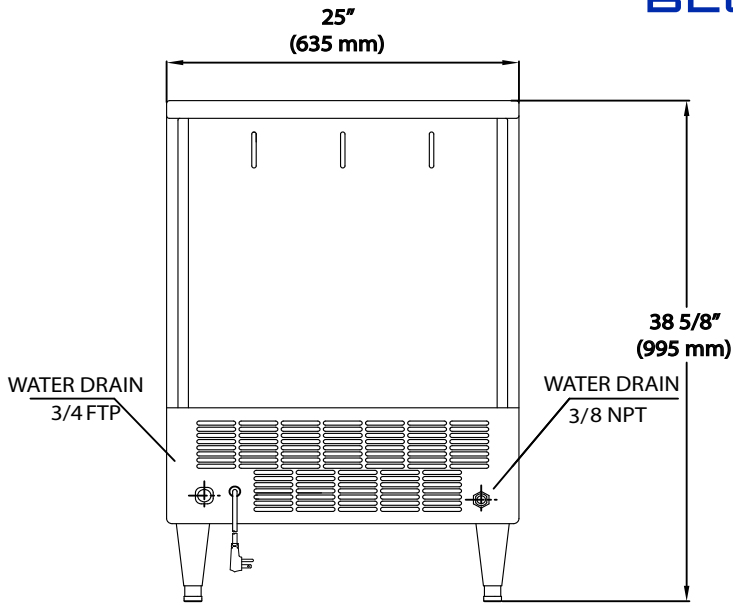


Side view

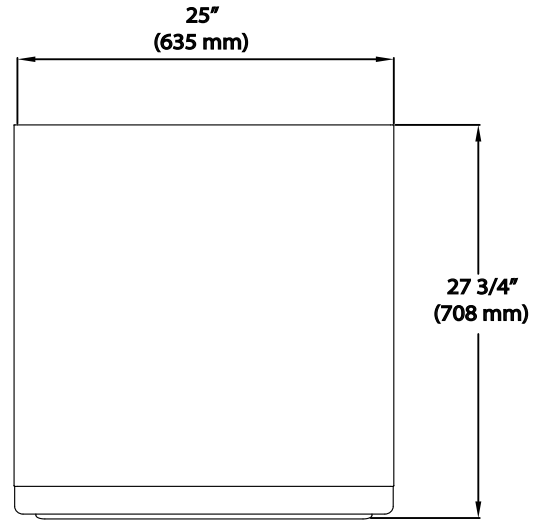


Blueair by
BLUENIX

Back view



Top view



Ice Production

Air / Water Temp Lbs. per 24 hrs		Per Cycle	
70°/50°F	90°/70°F	Lbs	Cubes
133lbs	109lbs	2.77lbs	130

Air 90°F / Water 70°F

KWH per 100 lbs.	Portable Water Gal. per 100lbs
9.1 kWh	22.2 gal

Condenser	Air-Cooled
Amperage	7
Max. Fuse Size	15
Voltage V/HZ/PH	115V/60/1
Shipping Weight	158 lbs / 71 kg
Refrigerant	R-134A
Ice storage	88lbs

Operating Limits

- Ambient Temp Range: 45 - 100° F
- Water Temp Range: 45 - 90° F
- Water Pressure: 10 - 100 PSIG
- Voltage Range: 100 - 130V

BLUE AIR has right to change specifications without further notice.



This product may expose you to chemicals including Diisononyl Phthalate(DINP), which is known to the State of California to cause cancer. For more information go to www.P65Warnings.ca.gov.



blueairfse.com



orders@blueairfse.com



223 W. Rosecrans Ave., CA 90248
T: 310-808-0102

9 W. Shelton Terrace #A, Hillside, NJ 07205
T: 470-625-0182

7025 Amwiler industrial Drive, Suite A, Atlanta GA
T: 908-688-0970