

• CO2739R

27-1/2"L x 34-1/8"D x 39-3/8"H

Included

- Breeze self-contained refrigeration
- Angled deck (n/a w/display steps)
- Blue Fin coated coil
- Compressor air intake from rear and out front panel at toe kick. Front panel cannot be blocked.
- Condensate pan (self-contained refig. only)
- Full end panels w/mirror interior
- Integrated average product temperature of 40°F or less
- LED 3500K top light(s)
- One piece formed ABS plastic tub
- One year parts & labor; 5 year compressor warranty

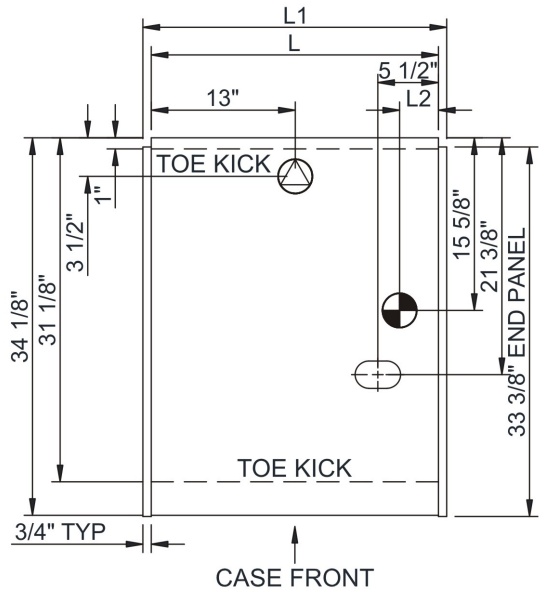


CO2739R

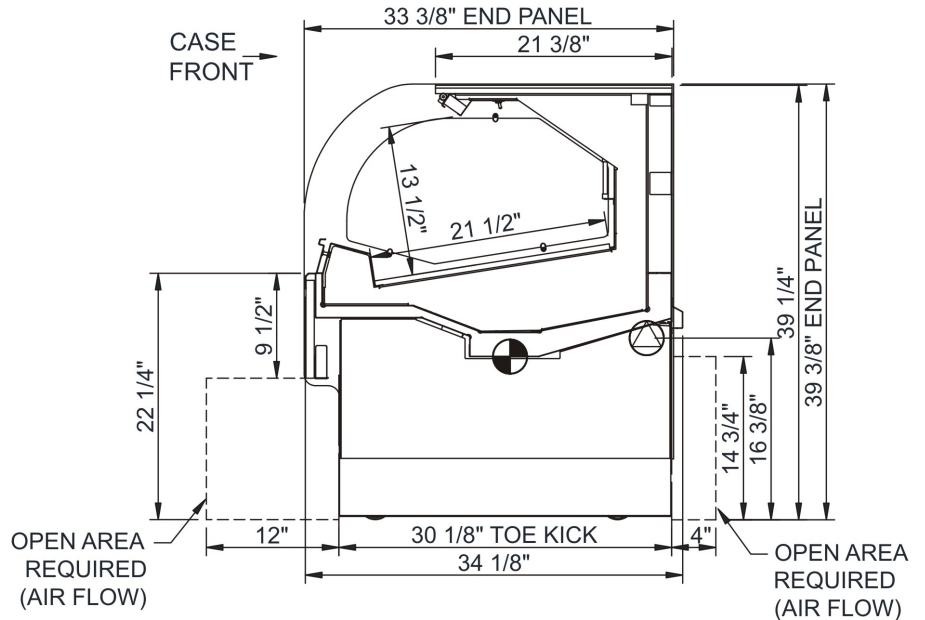
Specify	Standard Features	Additional Options
EXTERIOR COLOR	• Laminate (stock colors)	• Laminate (non-stock colors) • Stainless steel
INTERIOR COLOR	• Powder coated Silversan Black	• Stainless steel
LOWER FRONT PANEL COLOR	• Powder coated Silversan Black	• Stainless steel
BASE SUPPORT	• Casters	• Levelers
ELECTRICAL CONNECTION	• 6' Straight blade power cord (self-cont.)	• 6' Locking power cord (self-cont.) • Electrical leads (remote)
REFRIGERATION	• Breeze self-contained refrigeration	• Note: Remote doesn't incl Conds unit. Floor drain reqd. • Remote w/thermostat, solenoid & TXV
MISCELLANEOUS		• Second year parts & labor warranty (excludes compressor)
ACCESSORIES		• 2"H Display steps • Night curtain, retractable, non-locking • Removable wire security cover, locking

Intended Environment: Type I - Designed to operate in ambient conditions of 75°F with 55% relative humidity unless noted otherwise in system information below.		
Zone	Intended Product To Be Displayed	Warmest Avg Prod Temp ° F
1	Bottled or packaged perishable products	40

PLAN VIEW



SIDE VIEW



NOTE: ALL DIMENSIONS APPROXIMATE

- ELECTRICAL JUNCTION BOX (SUPPLIED WITH 6" LEADS OR POWER CORD).
- LOCATION OF DRAIN TUBE FOR REMOTE REF. ONLY (SUPPLIED WITH 3/4" OR 1 1/2" PVC TUBE).

- REFRIGERATION LINE CONNECTION.
- REMOTE FLOOR SINK & UTILITIES ACCESS AREA.

- SELF-CONTAINED CASE SERVICE ACCESS AREA.
- DRY CASE SERVICE ACCESS AREA.

Model Technical Specifications																
Model	L"	L1"	L2"	System Circuit Volts		Phs	Freq	Amps ***	Watts	Wires	NEMA Plug	SST	Conv. Rack BTUH	Para. Rack BTUH	Est Wt	
CO2739R	26.00	27.50	3.50	Remote (DX)	Circuit #1	110-120	1	60	1.10	74	2+G	Leads Single	20.00	1123	1040	500
				Self-Contained (R513A)	Circuit #1	110-120	1	60	5.92	592	N/A	5-15P or L5-15P	N/A	N/A	N/A	

*** Does not include electric defrost on freezer models.

Regulatory Approvals:

All Models
 Accordance with AHRI Std 1200
 ETL Listed to UL 471
 ETL Listed to CAN/CSA 22.2 No. 120
 ETL Sanitation to NSF/ANSI 7



In Accordance with
AHRI Std 1200

DOE 2017
 Energy Efficiency
 Compliant

Important Notes:

- 1) ELECTRICAL NOTE: If GFCI is required, a GFCI breaker MUST be used in lieu of a GFCI receptacle
- 2) Performance issues (product temperatures, water on floor, etc.) caused by adverse conditions are not covered by warranty.
- 3) Keep unit at least 15' from exterior doors, overhead HVAC vents, or any air curtain disruption.
- 4) End panels must be tightly joined or kept at least 6" away from any structure to prevent condensation.
- 5) Do not expose unit to direct sunlight or any heat source (ovens, fryers, etc.).
- 6) Keep at least 8" of clearance above unit for air discharge (self-contained only).
- 7) Tile floors, low ceilings, or small rooms will increase noise level.

⚠ WARNING: This product can expose you to chemicals, including Urethane (Ethyl Carbamate), which are known to the State of California to cause cancer and birth defects or other reproductive harm. For more information go to www.P65Warnings.ca.gov.