

# TF Server - Mechanical No Base GEN3

Height: 14.7" Width: 9.1" Depth: 11.9"  
(37.3cm) (23.1cm) (30.2cm)

- Vacuum insulated to keep coffee hot for hours
- Brew-through design with flip lid cover
- Soft-grip bail handle for easy transportation
- Integrated sight gauge assembly allows for easy cleaning
- Sturdy aluminum faucet guard keeps faucet area clean and protected
- Fast flow faucet
- Ideal for use with Twin or Single Infusion Series Brewers



Agency:



## Specifications

**Product #:** 44050.0251

**Lid Color:** Black

**Handle:** Bail Handle

**Liner:** Stainless Steel

**Dispense:** Lever Action

## Additional Features

## Holding Capacity

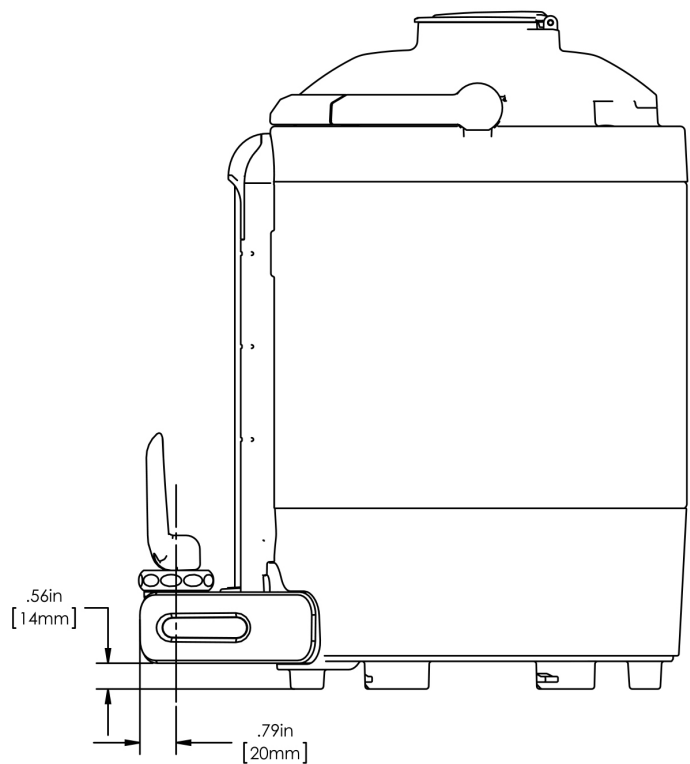
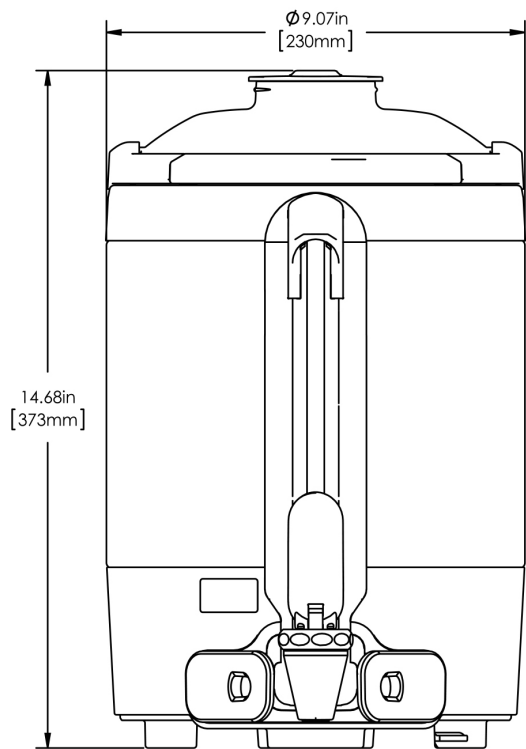
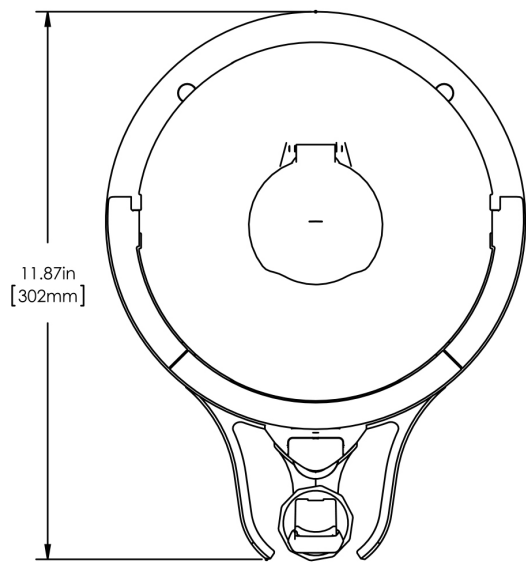
English	Metric
192 oz.	5.7 L

 **WARNING:**



BUNN® reserves the right to change specifications and product design without notice. Such revisions do not entitle the buyer to corresponding changes, improvements, additions or replacements for previously purchased equipment. For most current specifications and other info visit [bunn.com](http://bunn.com).

**Last Updated:**  
09/21/2023



	Unit			Shipping				
	Height	Width	Depth	Height	Width	Depth	Weight	Volume
English	14.7 in.	9.1 in.	11.9 in.	16.6 in.	11.9 in.	15.3 in.	10.050 lbs	1.752 ft <sup>3</sup>
Metric	37.3 cm	23.1 cm	30.2 cm	42.2 cm	30.3 cm	38.7 cm	4.559 kgs	0.050 m <sup>3</sup>



BUNN® reserves the right to change specifications and product design without notice. Such revisions do not entitle the buyer to corresponding changes, improvements, additions or replacements for previously purchased equipment. For most current specifications and other info visit [bunn.com](http://bunn.com).

Last Updated:  
09/21/2023

Related Products & Accessories:TF Server - Mechanical No Base GEN3(44050.0251)

HANDLE, FAUCET 3.0  
SHORT ORANGE

Product #: 51315.0003

HOLDER, SIGN TF-  
SERVER

Product #: 53683.0004



STAND ASSY KIT, TF  
SERVER

Product #: 54473.1000



BUNN® reserves the right to change specifications and product design without notice. Such revisions do not entitle the buyer to corresponding changes, improvements, additions or replacements for previously purchased equipment. For most current specifications and other info visit [bunn.com](http://bunn.com).

Last Updated:  
09/21/2023

# Model Compatibility: TF Server - Mechanical No Base GEN3(44050.0251)

\*Serving and Holding selections are currently unavailable. Please contact your sales representative to find out more information.\*



BUNN® reserves the right to change specifications and product design without notice. Such revisions do not entitle the buyer to corresponding changes, improvements, additions or replacements for previously purchased equipment. For most current specifications and other info visit [bunn.com](http://bunn.com).

Last Updated:  
09/21/2023