

## "BHSPR-12" WALL SHELVES W/POT RACK 12" Width, Stainless Steel

### FEATURES:

- Type 300 Stainless Steel With #4 Polish, Satin Finish
- Finished With A Safety Stallion Front Edge
- 1-1/2" Turned Up Backsplash
- Shipped Knocked-Down, Easy-To-Assemble
- Stainless Steel Pock Rack Bar And Hooks (1 Hook Per Foot)
- All Models Are NSF Certified

### SPECIFICATIONS:

- Stainless Steel Shelves Are MIG Welded
- Exposed Welds Are Polished To Match Adjacent Surface
- Shelf: Type 300 Stainless Steel With #4 Polish, Satin Fir
- Brackets: Type 300 Stainless Steel With #4 Polish, Satin Finish



BHS1236-PR

### CERTIFICATIONS:



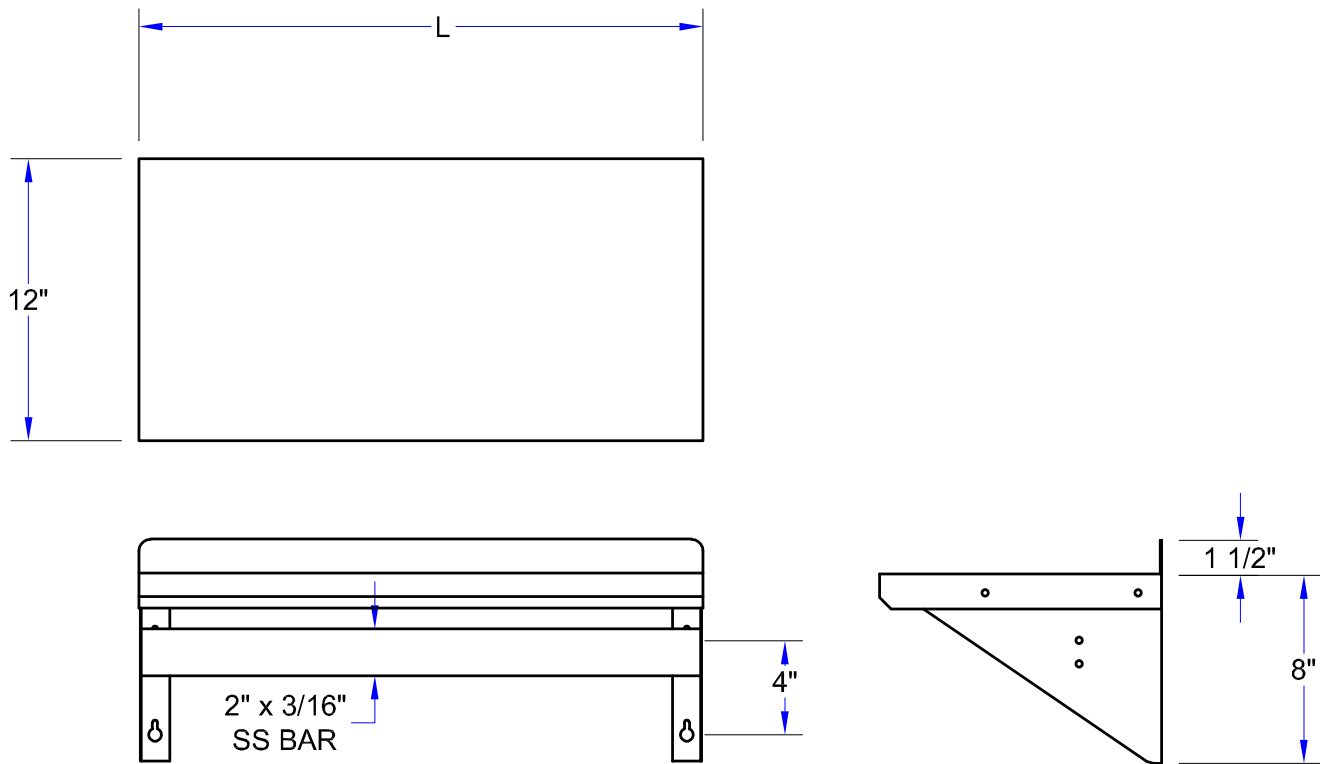
## "BHSPR-12" STAINLESS STEEL WALL SHELVES

LENGTH	# OF HOOKS	18GA	WT (LBS)	16GA	WT (LBS)	14GA	WT (LBS)
24"	2	BHS1224PR	10	BHS1224PR-16/304	13	BHS1224PR-14/304	18
36"	3	BHS1236PR	15	BHS1236PR-16/304	15	BHS1236PR-14/304	23
48"	4	BHS1248PR	20	BHS1248PR-16/304	22	BHS1248PR-14/304	30
60"	5	BHS1260PR	25	BHS1260PR-16/304	27	BHS1260PR-14/304	37
72"	6	BHS1272PR *	31	BHS1272PR-16/304 *	32	BHS1272PR-14/304 *	41
84"	7	BHS1284PR *	36	BHS1284PR-16/304 *	40	BHS1284PR-14/304 *	48
96"	8	BHS1296PR *	41	BHS1296PR-16/304 *	50	BHS1296PR-14/304 *	56
108"	9	BHS12108PR *	47	BHS12108PR-16/304 *	56	BHS12108PR-14/304 *	63
120"	10	BHS12120PR *	53	BHS12120PR-16/304 *	62	BHS12120PR-14/304 *	70
132"	11	BHS12132PR **	59	BHS12132PR-16/304 **	68	BHS12132PR-14/304 **	77
144"	12	BHS12144PR **	64	BHS12144PR-16/304 **	74	BHS12144PR-14/304 **	84

\* UNITS 72"-120" ARE FURNISHED WITH 3 SUPPORT BRACKETS, \*\* UNITS 132" & 144" HAVE 4 SUPPORT BRACKETS

ALL DIMENSIONS ARE TYPICAL. TOLERANCE +/- .500". JOHN BOOS & CO. RESERVES THE RIGHT TO CHANGE SPECIFICATIONS WITHOUT NOTICE.

# DETAILED SPECIFICATIONS



## "BHS-12" STAINLESS STEEL WALL SHELVES

LENGTH	# OF HOOKS	18GA	WT (LBS)	16GA	WT (LBS)	14GA	WT (LBS)
24"	2	BHS1224PR	10	BHS1224PR-16/304	13	BHS1224PR-14/304	18
36"	3	BHS1236PR	15	BHS1236PR-16/304	15	BHS1236PR-14/304	23
48"	4	BHS1248PR	20	BHS1248PR-16/304	22	BHS1248PR-14/304	30
60"	5	BHS1260PR	25	BHS1260PR-16/304	27	BHS1260PR-14/304	37
72"	6	BHS1272PR *	31	BHS1272PR-16/304 *	32	BHS1272PR-14/304 *	41
84"	7	BHS1284PR *	36	BHS1284PR-16/304 *	40	BHS1284PR-14/304 *	48
96"	8	BHS1296PR *	41	BHS1296PR-16/304 *	50	BHS1296PR-14/304 *	56
108"	9	BHS12108PR *	47	BHS12108PR-16/304 *	56	BHS12108PR-14/304 *	63
120"	10	BHS12120PR *	53	BHS12120PR-16/304 *	62	BHS12120PR-14/304 *	70
132"	11	BHS12132PR **	59	BHS12132PR-16/304 **	68	BHS12132PR-14/304 **	77
144"	12	BHS12144PR **	64	BHS12144PR-16/304 **	74	BHS12144PR-14/304 **	84

\* UNITS 72"-120" ARE FURNISHED WITH 3 SUPPORT BRACKETS, \*\* UNITS 132" & 144" HAVE 4 SUPPORT BRACKETS

ALL DIMENSIONS ARE TYPICAL. TOLERANCE +/- .500". JOHN BOOS & CO. RESERVES THE RIGHT TO CHANGE SPECIFICATIONS WITHOUT NOTICE.