

Project: _____	AIA# _____
Item #: _____ Qty: _____	SIS# _____
Model #: _____	

## Single Speed Rails & Locking Covers

(model numbers on reverse side)



SSR-24



**Intertek**

4004503

Conforms to ANSI/NSF STD 2

### Standard Features

- All stainless steel construction
- Open step-and-rail design for easy cleaning and better view of bottles
- Radius corners on steps and rails for easy cleaning
- PVC sound deadening covers
- Double step models also available - see spec DSR
- Locking covers are available (see reverse side for model numbers)
- Locking covers for single speed rails include built-in storage hangers when ordered with original equipment
- Available in 1" incremental lengths from 12" up to 84". NOTE: Units larger than 48" also include a center support.
- Rails have a clear snap-on liquor identification label cover

To view cleaning and care instructions, please visit: [https://www.glastender.com/PDF/F-423-011\\_ss\\_clean\\_care.pdf](https://www.glastender.com/PDF/F-423-011_ss_clean_care.pdf)

### Specifications

#### Materials

- 20 gauge stainless steel parts include: steps, rails, and locking covers
- 14 gauge stainless steel parts include: ends
- PVC step and rail covers



SSR-36 with SSRC-36 installed



SSR-36 with SSRC-36 in storage below

<p><b>Glastender, Inc.</b> • 5400 N Michigan Rd • Saginaw, MI • 48604-9780          989.752.4275 • 800.748.0423 • Fax 989.752.4444  <a href="http://www.glastender.com">www.glastender.com</a></p>	<p>Approval/Notes:</p>
--	------------------------

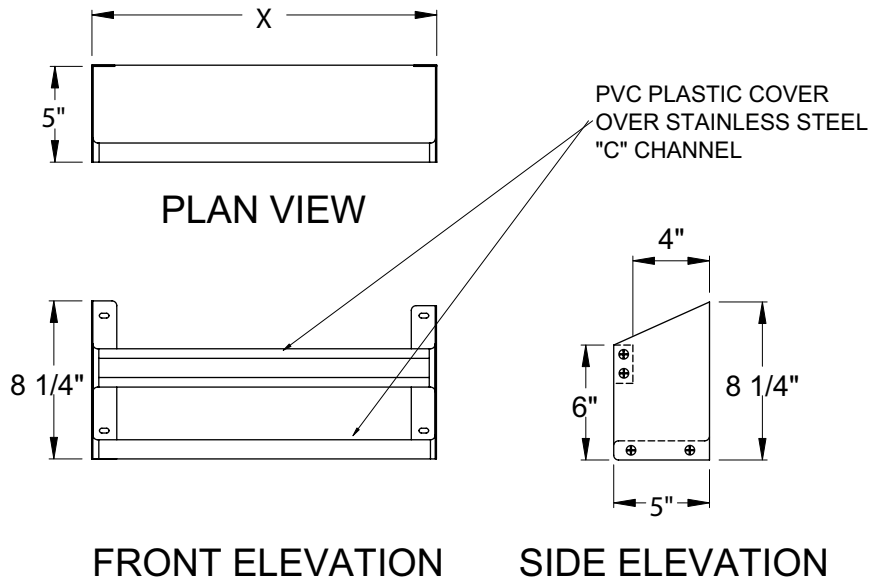
Specifications subject to change without notice. For current specifications please visit our website.

# Single Speed Rails and Locking Covers

## Dimensional Information

### SSR- X

Single Speed Rails are available in one inch increments from 12" to 84" in length. The model number designation is SSR- X , where X = the length of the unit in inches. Speed rails over 48" also have a center support.



### SSRC- X

Single Speed Rail Locking covers are available in one inch increments from 12" to 48". The model number designation is SSRC- X , where X = the length of the unit in inches. Use multiple covers for speed rails longer than 48". (NOTE: 24" and 29" deep Liquor Displays require multiples of four and five locking covers, respectively)

