



T&S BRASS AND BRONZE WORKS, INC.
 2 Saddleback Cove / P.O. Box 1088
 Travelers Rest, SC 29690

Model No.
B-3942-XS

Item No.

Travelers Rest, SC: 800-476-4103 • Simi Valley, CA: 800-423-0150 • Fax: 864-834-3518 • www.tsbrass.com

This Space for Architect/Engineer Approval

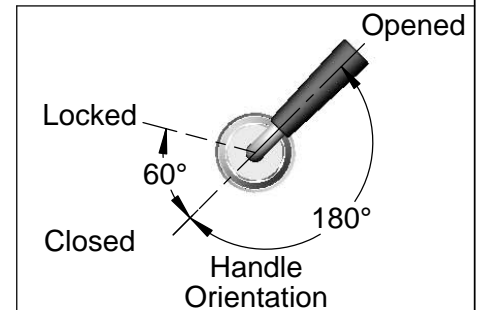
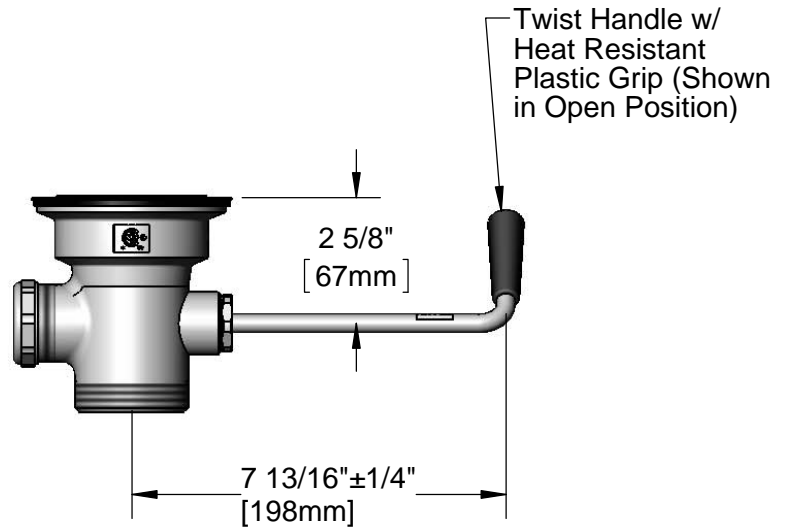
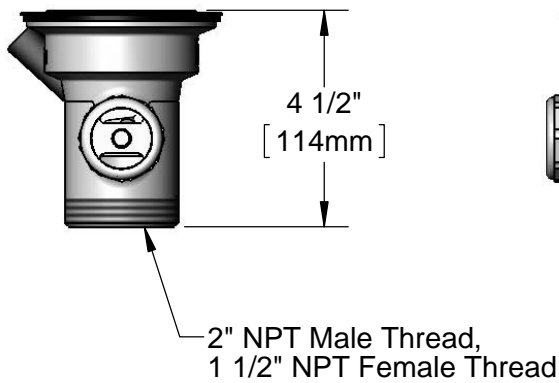
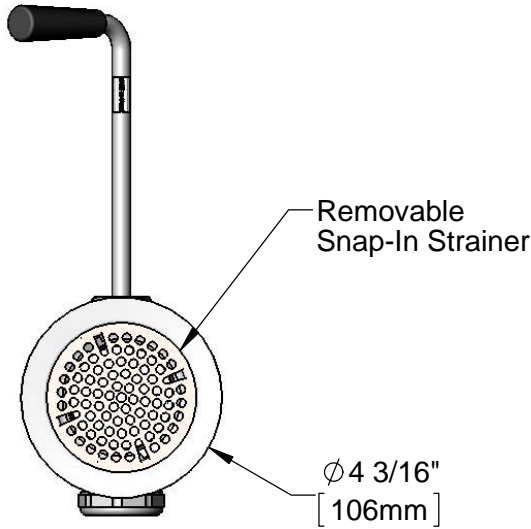
Job Name _____ Date _____

Model Specified _____ Quantity _____

Customer/Wholesaler _____

Contractor _____

Architect/Engineer _____



Product Specifications:
 Rotary Waste Valve w/ Short Twist Handle, 3" Sink Opening,
 2" NPT Male Outlet / 1 1/2" NPT Female Threads Outlet

Drawn KJG	Checked GEF	Approved JHB
Scale: 1:4	Date: 06/18/12	



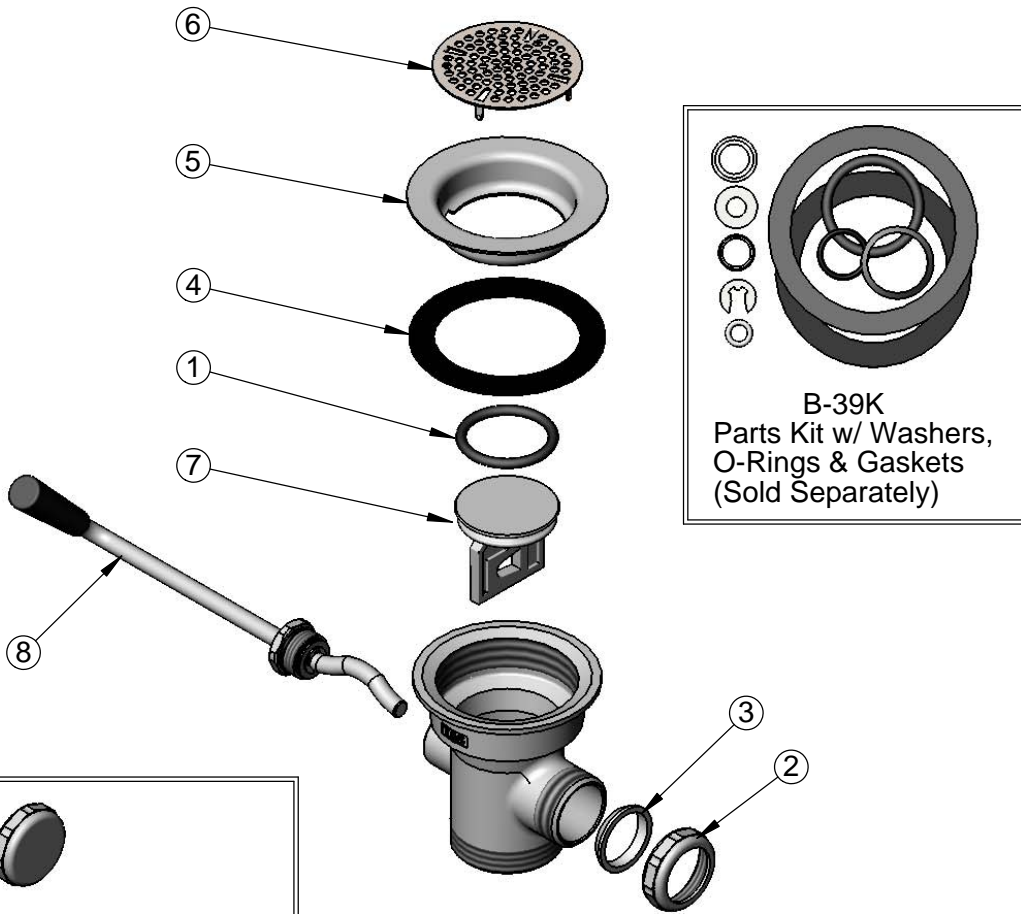
T&S BRASS AND BRONZE WORKS, INC.
 2 Saddleback Cove / P.O. Box 1088
 Travelers Rest, SC 29690


Model No.
B-3942-XS

Item No.

Travelers Rest, SC: 800-476-4103 • Simi Valley, CA: 800-423-0150 • Fax: 864-834-3518 • www.tsbrass.com

ITEM NO.	SALES NO.	DESCRIPTION
1	010389-45	O-Ring, Plunger
2	010391-45	Nut, Coupling For Twist Drain
3	010390-45	Ferrule, Coupling Nut
4	010381-45	Gasket, 3" Face Flange
5	015306-45	Flange, 3" Face
6	010385-45	Strainer, 3" Snap-in
7	010388-45	Plunger, Lever and Twist Drain
8	010393-45XS	Handle Asm, Rotary Waste Valve Twist




 012640-45
 Optional Sealing Cap Installed
 When Overflow Tube Coupling
 Nut is Not Used (Included)

Product Specifications:
 Rotary Waste Valve w/ Short Twist Handle, 3" Sink Opening,
 2" NPT Male Outlet / 1 1/2" NPT Female Threads Outlet

Drawn KJG	Checked GEF	Approved JHB
Scale: NTS		Date: 06/18/12