

## Gold Standard Toaster | GST



**GST-3V**  
with tall bun feeder



**GST-3V**  
with standard bun  
feeder and landing zone

The Gold Standard Toaster is the newest development from Antunes, the recognized leader in bun toasting in the foodservice industry. Featuring an innovative and unique toasting system, the GST model provides operations with quality, reliability, and consistency in their toasting platform.

The GST-3V model utilizes dual-belt technology that cradles buns as they move along the heat source, eliminating defects such as sticking, slipping, and bun marking. The belts are continuously moving so operators can immediately load product as needed without any delay.

The energy-efficient design of the GST-3V keeps heat locked in the toasting chamber and keeps the outside surface cool to the touch, which can provide operations with 30% energy savings compared to other toasters.

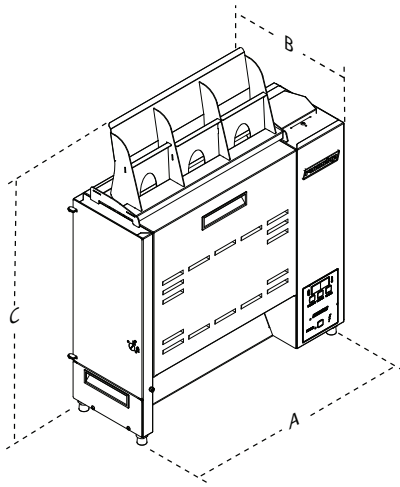
The GST-3V model features three toasting lanes, including an integrated lane for two-sided toasting. With fully programmable temperature and motor speed settings, the GST-3V has the flexibility to easily toast a variety of different bread products for any size operation.

### FEATURES

- New energy-efficient design reduces heat loss and prevents outside surface of toaster from becoming hot.
- 30% energy savings compared to other toasters.
- Features three toasting lanes, including an integrated lane for two-sided toasting in a single pass.
- Electronic temperature controller ensures proper calibration and even toasting.
- Dual-belt technology eliminates defects such as sticking, slipping, and bun marking.
- Continuously moving belts allow immediate feeding of buns without sticking.
- Fully programmable temperature and motor speed settings ensure your products are toasted properly.

# Gold Standard Toaster | GST

## Dimensions



Model & Mfg. No.	Width (A)	Depth (B)	Height (C)
------------------	-----------	-----------	------------

### With Tall Bun Feeder

GST-3V 9210874	24 5/8" (625 mm)	9 3/16" (233 mm)	30" (763 mm)
-------------------	---------------------	---------------------	-----------------

### With Standard Bun Feeder and Landing Zone

GST-3V 9210881	25 1/4" (641 mm)	14 9/16" (370 mm)	24 5/8" (625 mm)
-------------------	---------------------	----------------------	---------------------

## Electrical Ratings and Plug Configurations

Model & Mfg. No.	Volts	Watts	Hertz	Plug Configuration
------------------	-------	-------	-------	--------------------

### With Tall Bun Feeder

GST-3V 9210874	208- 240	3660- 4355	50/60	NEMA 6-20P 20 Amp., 250 Volt
-------------------	-------------	---------------	-------	---------------------------------

### With Standard Bun Feeder and Landing Zone

GST-3V 9210881	220- 240	3180- 3750	50/60	16 Amp. IEC-309 Pin & Sleeve
-------------------	-------------	---------------	-------	---------------------------------

## Feeder Specifications

Model & Mfg. No.	Crowns	Heels	Texas Toast / Clubs
------------------	--------	-------	---------------------

### With Tall Bun Feeder

GST-3V 9210874	1 43/64" (42 mm)	1 5/32" (40 mm)	1 21/32" (42 mm)
-------------------	---------------------	--------------------	---------------------

### With Standard Bun Feeder and Landing Zone

GST-3V 9210881	1 5/8" (41 mm)	1 5/8" (41 mm)	1 5/8" (41 mm)
-------------------	-------------------	-------------------	-------------------

## Bun Specifications

Model & Mfg. No.	Crowns		Heels		Texas Toast / Clubs	
	Min.	Max.	Min.	Max.	Min.	Max.

### With Tall Bun Feeder

GST-3V 9210874	5/8" (16 mm)	27/32" (21 mm)	15/32" (12 mm)	21/32" (17 mm)	15/32" (12 mm)	21/32" (17 mm)
-------------------	-----------------	-------------------	-------------------	-------------------	-------------------	-------------------

### With Standard Bun Feeder and Landing Zone

GST-3V 9210881	39/64" (15 mm)	51/64" (20 mm)	25/64" (10 mm)	9/16" (14 mm)	39/64" (15 mm)	51/64" (20 mm)
-------------------	-------------------	-------------------	-------------------	------------------	-------------------	-------------------

## Specifications

**Toasting Time:** Adjustable

**Temperature Control:** Solid State with Display

**Power Cord:** Six-foot grounded power cord supplied

**Warranty:** One year parts and labor

P/N 1020455 05/17