



ADA Compliant

This Space for Architect/Engineer Approval

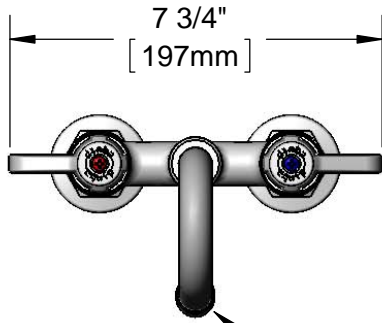
Job Name _____ Date _____

Model Specified _____ Quantity _____

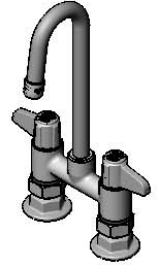
Customer/Wholesaler _____

Contractor _____

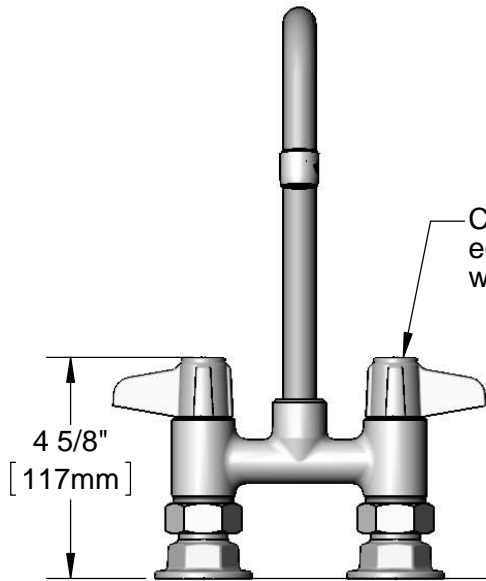
Architect/Engineer _____



5SP-03
3" equip Rigid Gooseneck
w/ Laminar Flow Device



2 13/16"
[72mm]



Ceramic Cartridges &
equip Lever Handles
w/ Color Coded Screws

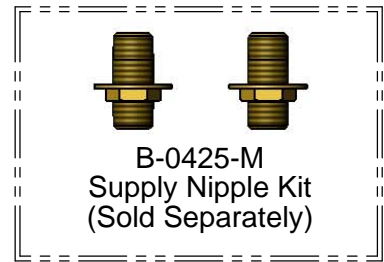
11 7/8"
[302mm]

8 3/16"
[208mm]

Mounting Surface

4"
[102mm]
Adjustable from
3 3/4" to 4 1/4"
[95mm to 108mm]

Ø 2" [51mm]
Flanges w/
1/2" NPT
Female Inlets



Model Number

5F-4DLX03

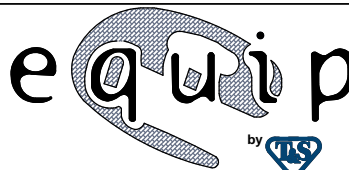
Product Specifications:

4" Deck Mount Mixing Faucet, Ceramic Cartridges, equip
Lever Handles, 3" equip Swivel Gooseneck & 1/2" NPT
Female Inlets

Product Compliance:

ASME A112.18.1 / CSA B125.1
NSF 61 - Section 9
NSF 372 (Low Lead Content)
ANSI A117.1 (ADA)

equip
Foodservice
Accessories



2 Saddleback Cove, P.O. Box 1088
Travelers Rest, South Carolina 29690
Phone: 800.891.4808 Fax: 800.868.0084
equip.tsbrass.com

Drawn: DMH

Checked: KJG

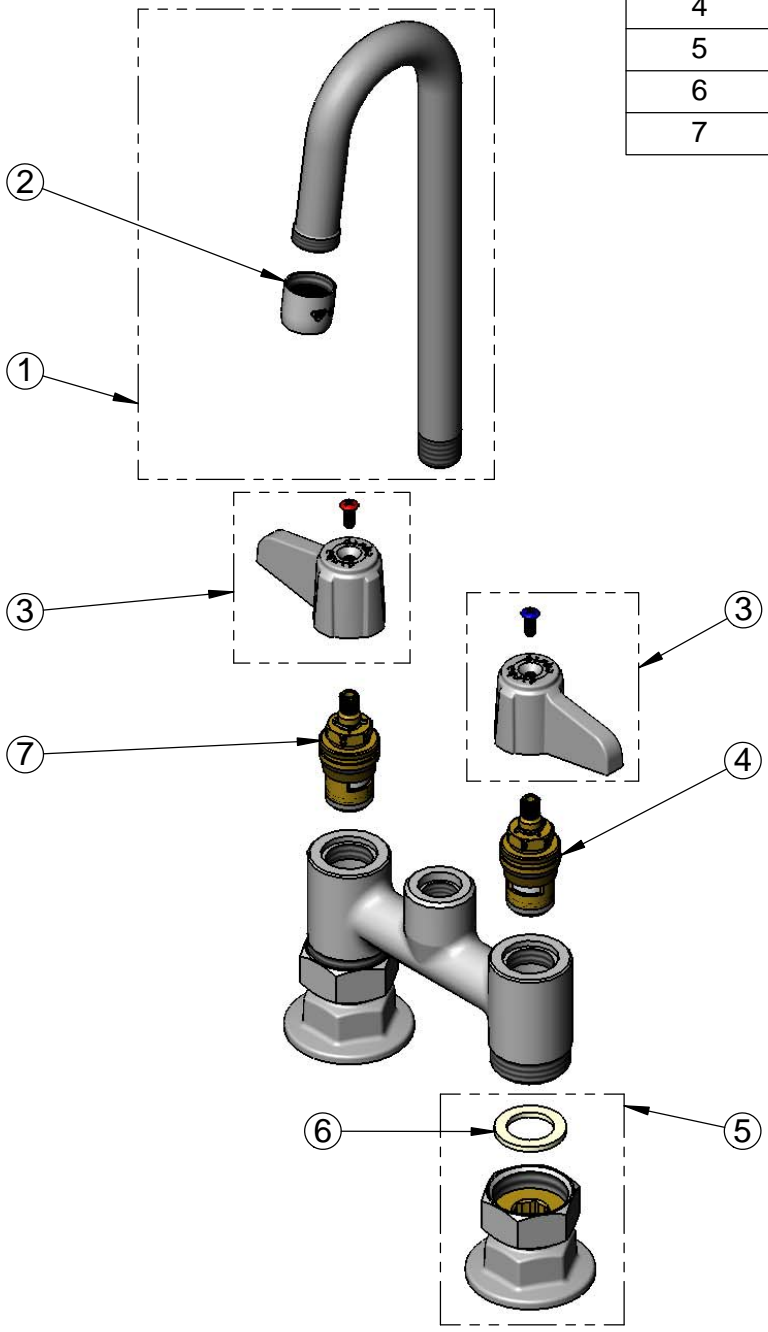
Approved: JHB

Date: 08/26/16

Scale: 1:4

Sheet: 1 of 2

| ITEM NO. | SALES NO. | DESCRIPTION |
|----------|-----------|--|
| 1 | 5SP-03 | 3" equip Rigid Gooseneck |
| 2 | 014250-45 | Laminar Flow Device |
| 3 | 5-HDL-L | equip Lever Handle w/ Color Coded Screws |
| 4 | 013788-45 | equip Ceramic Cartridge, LTC |
| 5 | 00AA | 1/2" NPT Female Eccentric Flange |
| 6 | 001019-45 | Coupling Nut Washer |
| 7 | 013787-45 | equip Ceramic Cartridge, RTC |



Model Number
5F-4DLX03

Product Compliance:
ASME A112.18.1 / CSA B125.1
NSF 61 - Section 9
NSF 372 (Low Lead Content)
ANSI A117.1 (ADA)

Product Specifications:
**4" Deck Mount Mixing Faucet, Ceramic Cartridges, equip
Lever Handles, 3" equip Swivel Gooseneck & 1/2" NPT
Female Inlets**

equip
Foodservice
Accessories



2 Saddleback Cove, P.O. Box 1088
Travelers Rest, South Carolina 29690
Phone: 800.891.4808 Fax: 800.868.0084
equip.tsbrass.com