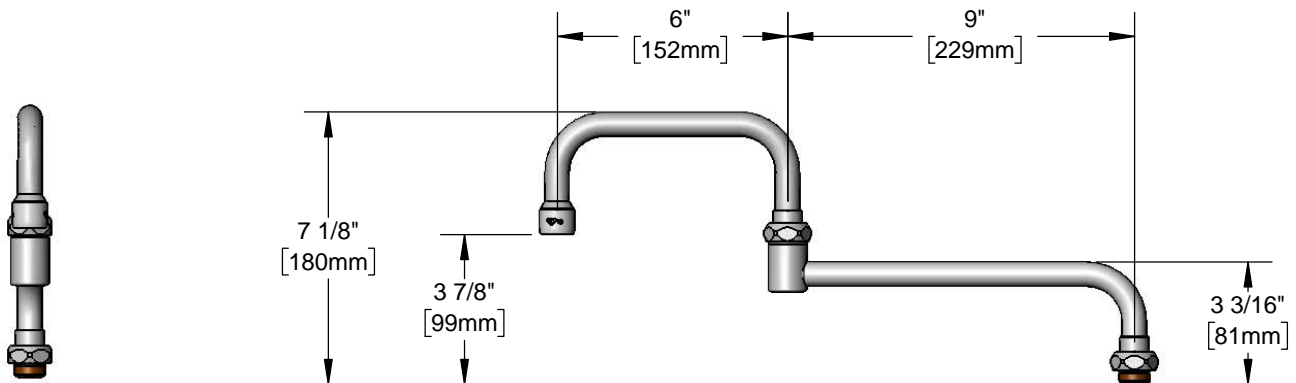
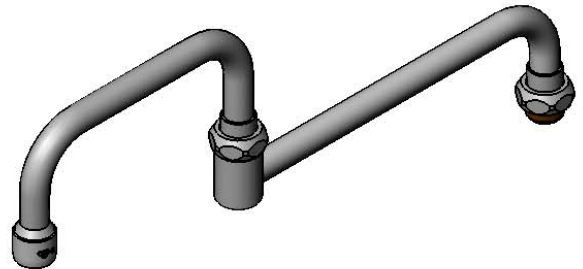




**Architect/Engineering Specifications:**

15" double joint swing nozzle with stream regulator outlet. Certified to ASME A112.18.1/CSA B125.1, NSF 61-Section 9 and NSF 372.

Job Name \_\_\_\_\_  
 Model Specified \_\_\_\_\_ Quantity \_\_\_\_\_  
 Variations Specified \_\_\_\_\_  
 Date \_\_\_\_\_



**Features & Benefits:**

- 15" double joint swing nozzle
- B-PT stream regulator outlet, Series 1
- Fits all standard T&S swivel outlet faucets
- Material: Chrome plated brass tubular spout

**Product Compliance:**

- ASME A112.18.1 / CSA B125.1
- NSF 61 - Section 9
- NSF 372 (Low Lead Content)

**Warranty:** One Year (Limited)

**Performance Data:**

- Pressure: 20 - 125 psi
- Temperature: 40 °F - 140 °F
- Flow Rate: 19.20 GPM @ 60 psi



**Optional Outlets (Series 1 / VR Series 6)**

| GPM  | Aerated                                | Non-Aerated (Laminar)                   | VR Aerated                             | VR Non-Aerated (VR Laminar)             |
|------|--|---|--|---|
| 0.35 | N/A                                    | <input type="checkbox"/> B-0199-01-N035 | N/A                                    | <input type="checkbox"/> B-0199-06-N035 |
| 0.5  | N/A                                    | <input type="checkbox"/> B-0199-01-N05  | N/A                                    | <input type="checkbox"/> B-0199-06-N05  |
| 1.0  | <input type="checkbox"/> B-0199-01-F10 | N/A                                     | <input type="checkbox"/> B-0199-06-F10 | N/A                                     |
| 1.2  | <input type="checkbox"/> B-0199-01-F12 | <input type="checkbox"/> B-0199-01-LF12 | <input type="checkbox"/> B-0199-06-F12 | <input type="checkbox"/> B-0199-06-LF12 |
| 1.5  | <input type="checkbox"/> B-0199-01-WS  | <input type="checkbox"/> B-0199-29      | <input type="checkbox"/> B-0199-06-WS  | <input type="checkbox"/> B-0199-29VR    |
| 2.2  | <input type="checkbox"/> B-0199-01     | <input type="checkbox"/> B-0199-21      | <input type="checkbox"/> B-0199-06     | <input type="checkbox"/> B-0199-21-VRF  |

