

JOB NAME:

QUANTITY:

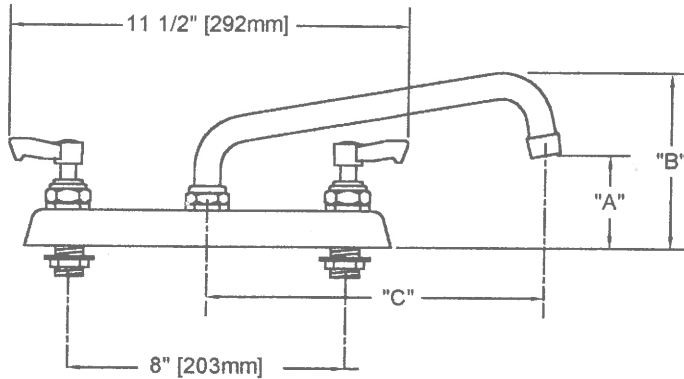
ITEM NO.:

PRODUCT NAME:

SIERRA FAUCET, 8" DECK W/ SWING SPOUT

MODEL:

- 26107 WITH 6" SWING SPOUT
- 26115 WITH 8" SWING SPOUT
- 26123 WITH 10" SWING SPOUT
- 26131 WITH 12" SWING SPOUT



MODEL	DIM "A"	DIM "B"	DIM "C"
26107	1 15/16" [49mm]	4 1/4" [108mm]	6" [152mm]
26115	2 9/16" [65mm]	4 7/8" [124mm]	8" [203mm]
26123	2 11/16" [68mm]	5 1/16" [129mm]	10" [254mm]
26131	2 11/16" [68mm]	5 1/16" [129mm]	12" [305mm]
26158	3 9/16" [90mm]	5 7/8" [149mm]	14" [356mm]

FEATURES:

- \* 8" DECK MOUNTED
- \* 1 1/2" LONG SHANKS WITH LOCK NUTS AND 1/2" NPT THREADS

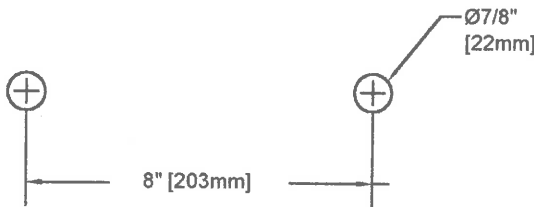
SYSTEM LIMITS

TEMP: 40 F MIN TO 140 F MAX  
 PRESSURE 200 PSI MAX STATIC  
 2.20 GPM @60 PSI

SHIPPING WEIGHT

- \* 5.5 LBS

ROUGH IN:



ANSI/A112.18.1M

Division of Fisher Manufacturing Company  
 P.O. Box 60 Tulare, CA 93725-0060 1900 "O" Street Tulare, CA 93274-6850  
 Phone 1-800-421-6162 FAX 800-8-FAUCET (800-832-8238) information@sierrafaucets.com www.sierrafaucets.com