



T&S BRASS AND BRONZE WORKS, INC.
 2 Saddleback Cove / P.O. Box 1088
 Travelers Rest, SC 29690

Model No.
B-0104-D

Item No.

Travelers Rest, SC: 800-476-4103 • Simi Valley, CA: 800-423-0150 • Fax: 864-834-3518 • www.tsbrass.com

This Space for Architect/Engineer Approval

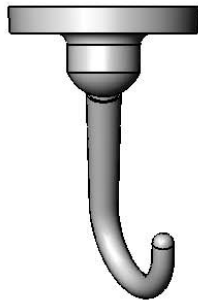
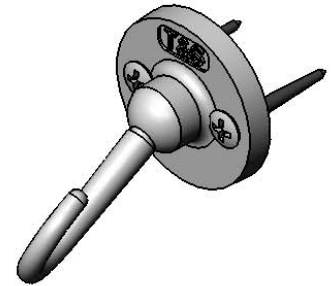
Job Name _____ Date _____

Model Specified _____ Quantity _____

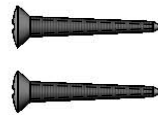
Customer/Wholesaler _____

Contractor _____

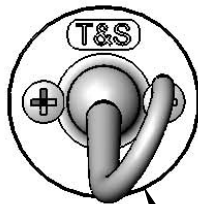
Architect/Engineer _____



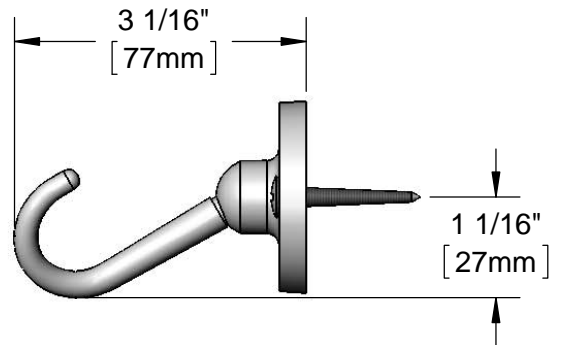
Hook to Hold
 Head of Hose
 Unit When
 Not in Use



(2) Chrome Plated
 Mounting Screws
 (Included)



$\phi 2''$
 [51mm]
 Wall Flange



Product Specifications:
 Chrome Polished Dummy Wall Hook w/ (2) Mounting Screws

Drawn

DHL

Checked

DMH

Approved

JHB

Scale:

1:2

Date:

11/15/12