



FOOD EQUIPMENT

SERVING THE FOOD INDUSTRY SINCE 1951

HOTDOG STEAMER AND BUN WARMER

ITEM: 17133 MODEL: FW-TW-3050

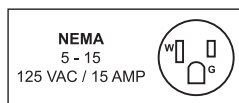
**STEAM DELICIOUS HOTDOGS AND
WARM BUNS SIMULTANEOUSLY**



Condiment Squeeze Bottles
are sold separately.



WARRANTY
PARTS AND LABOR



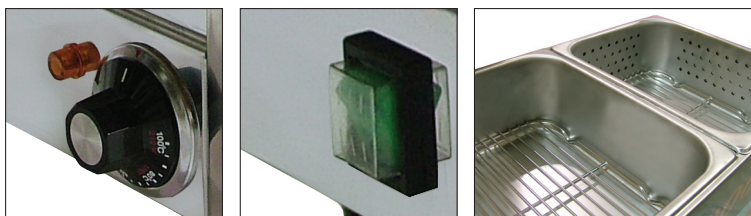
Authorized Dealer

FOOD EQUIPMENT

HOTDOG STEAMER AND BUN WARMER *FW-TW-3050*



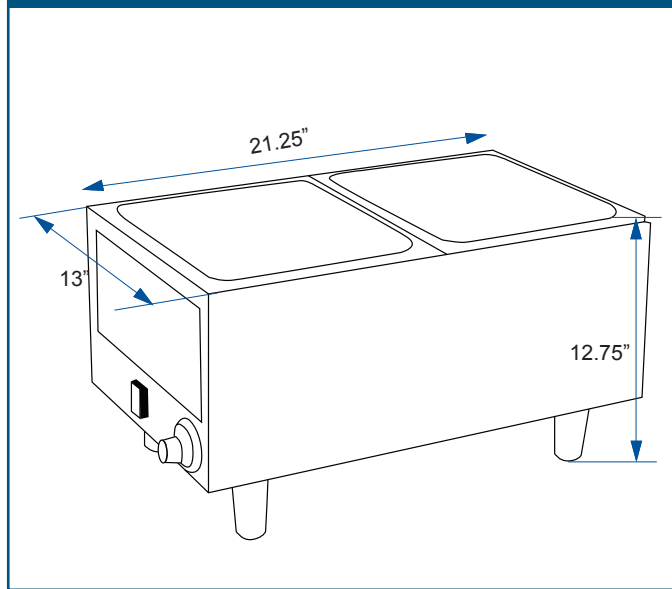
Omcan's Stainless Steel Hotdog Steamer and Bun Warmer steams delicious hotdogs and warms buns simultaneously. Cabinet and lids are made of stainless steel.



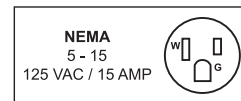
TECHNICAL SPECIFICATION

ITEM NUMBER	17133
MODEL	FW-TW-3050
POWER	1.2 kW / 1200 W
CAPACITY	30 pcs. (buns) 50 pcs. (hotdogs)
CABINET DIMENSION	11.75" x 9.25" x 4.75" 298 x 235 x 121 mm (each cabinet)
ELECTRICAL	120V / 60Hz / 1Ph
DIMENSION (DWH)	13" x 21.25" x 12.75" 330 x 540 x 324 mm
WEIGHT	26 lbs. / 11.7 kg.
PACKAGING WEIGHT	27 lbs. / 12.2 kg.
PACKAGING DIMENSIONS	17" x 26" x 13" 432 x 660 x 330 mm

TECHNICAL DRAWING AND DIMENSIONS



WARRANTY
PARTS AND LABOR



OMCAN INC.

Telephone: 1-800-465-0234

Fax: (905) 607-0234

Email: sales@omcan.com

Website: www.omcan.com



Follow us to keep up to date with the latest news and offers



2015.E.O.E