

2SH Soft Heat Stand, INF SERIES

9.3" x 11.8" x 20.2"
(23.6cm x 30.0cm x 51.3cm)

- Remote two server docking station for additional satellite coffee serving
- Docking station provides instant power contact to servers
- Soft Heat® stand supplies power to servers, to provide controlled heat for ideal maintenance of flavor and temperature
- Compatible with round BUNN Soft Heat servers
- Durable all stainless steel construction
- Contemporary styling



Agency:



Specifications

Product #: 27875.0200

Finish: Stainless

Legs: 4" Stainless Steel Legs

Additional Features

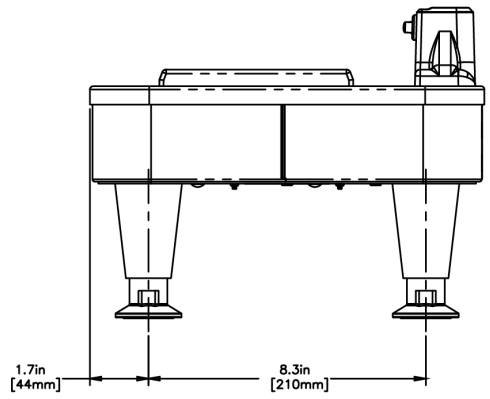
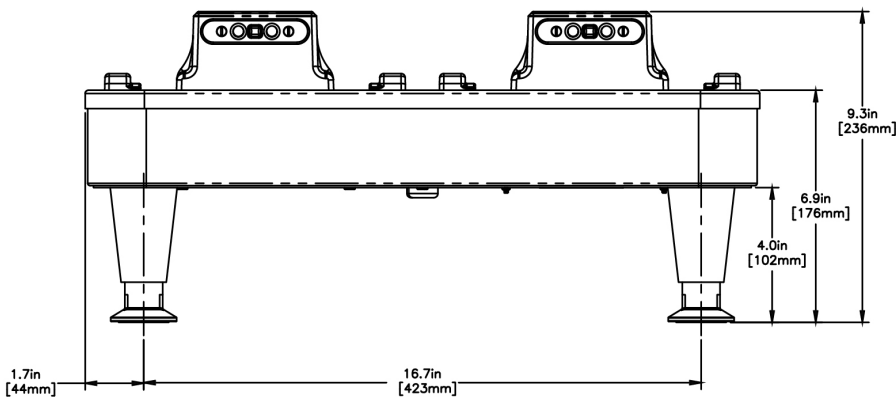
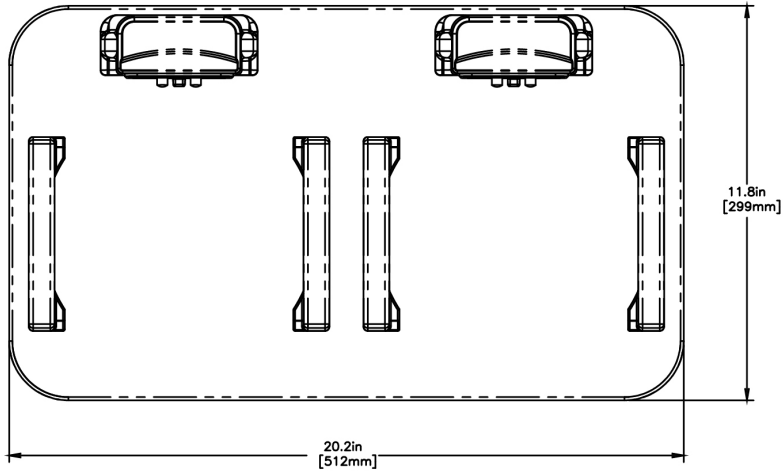
Holding Capacity

English	Metric
-	-



BUNN® reserves the right to change specifications and product design without notice. Such revisions do not entitle the buyer to corresponding changes, improvements, additions or replacements for previously purchased equipment. For most current specifications and other info visit bunn.com.

Created on:
09/13/2017



	Unit			Shipping				
	Width	Height	Depth	Width	Height	Depth	Weight	Volume
English	20.2 in.	9.3 in.	11.8 in.	-	-	-	22.000 lbs	1.938 ft ³
Metric	51.3 cm	23.6 cm	30.0 cm	-	-	-	9.979 kgs	0.055 m ³



BUNN® reserves the right to change specifications and product design without notice. Such revisions do not entitle the buyer to corresponding changes, improvements, additions or replacements for previously purchased equipment. For most current specifications and other info visit bunn.com.

Created on:
09/13/2017

Related Products & Accessories: 2SH Soft Heat Stand, INF SERIES(27875.0200)



SH SERVER, 1.5/5.7L INF
SERIES

Product #: 27850.0200



CONTENEDOR

Product #: 27850.0200



ICB TWIN SH, 120/240V
SST

Product #: 51200.0100



Cafetera

Product #: 51200.0100



ICB TWIN SH, 120/240V
BLK/SST

Product #: 51200.0101



KIT, DRIP TRAY TWIN SH

Product #: 53452.0000



KIT, DRIP TRAY SINGLE
SH

Product #: 53452.0001



BUNN® reserves the right to change specifications and product design without notice. Such revisions do not entitle the buyer to corresponding changes, improvements, additions or replacements for previously purchased equipment. For most current specifications and other info visit bunn.com.

Created on:
09/13/2017