

# TECHNICAL DATA

## Dimensions

Exterior Dimensions (WxDxH)	53 1/8" x 31 7/8" x 79 3/8"
Interior Dimensions (WxDxH)	
Net Volume (cu. ft.)	45 cu. ft.
Gross Weight	
Packaging Dimensions (WxDxH)	

## Cooling

Temperature Range	-10° - 5° F
Refrigerant	R290
Maximum Ambient Temperature Rating	90° F
Defrosting	Automatic
Temperature Display	Yes
Temperature Controller	Digital
H/P	1

## Construction

Exterior Material	Painted steel
Door/Lid Material	Glass Door
Insulation Material	Foamed in place polyurethane
Shelf Material	Plastic coated steel
Shelf Load Capacity	90 lbs

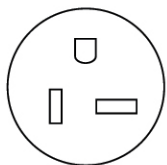
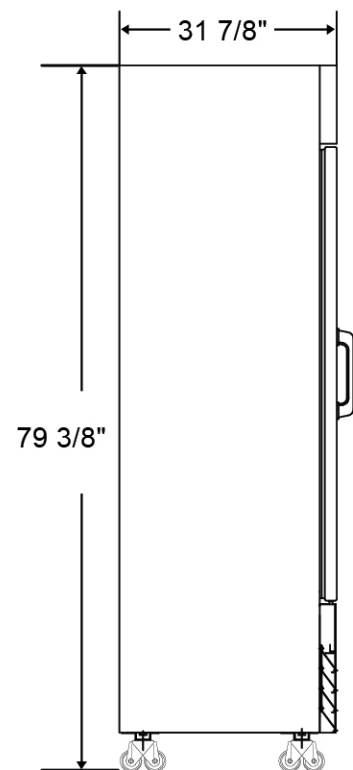
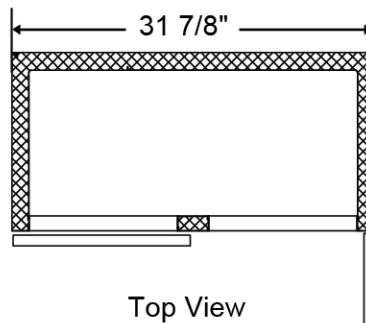
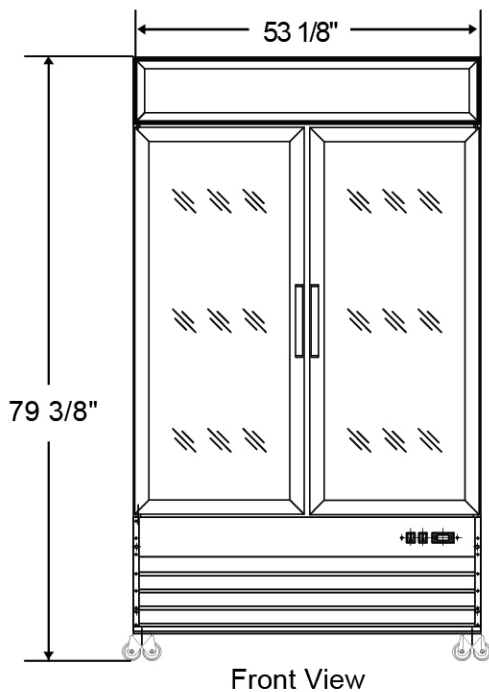
## Electrical

Voltage	115/60/1
Amps	9.2
Hz	

## PLAN VIEW

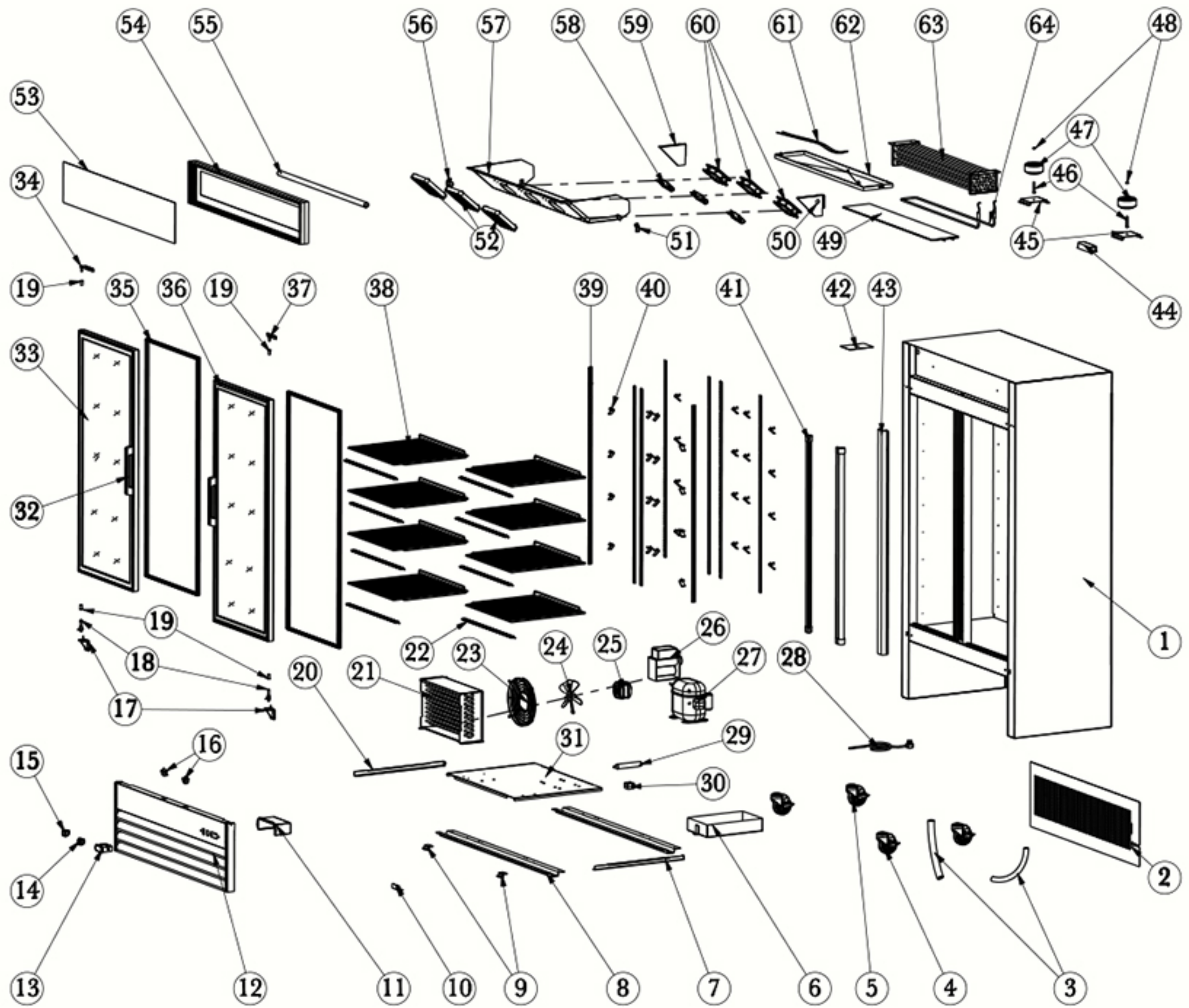


COMPLIES WITH ANSI/NSF 7 FOR FOOD SERVICE



NEMA 5-20P

SGF-53



NO.	Part Name	Factory Part NO.	QTY
1	CABINET		1
2	BACK GRILL		1
3	DRAIN PIPE	15818180020	2
4	CASTOR	12533040420	2
5	CASTOR WITH BRAKE	12533070420	2
6	OUTER DRAIN PAN	16316130007	1
7	RIGHT TRACK FOR INSTALLATION BOARD		1
8	CASTOR INSTALLATION BOARD		2
9	INSTALLATION BOARD BLOCK		1
10	INSTALLATION BOARD HANDLE		4
11	WATER PROOF COVER		2
12	FRONT GRILLE		4
13	THERMOSTAT	17505120003	1
14	LIGHT SWITCH	17749180002	1
15	POWER SWITCH	17749211297	1
16	DOOR SWITCH	17749020004	2
17	BOTTOM HINGE	12517060308	2
18	BOTTOM HINGE AXIS	12515030004	2
19	AXIS COVER	16353010017	4
20	LEFT TRACK FOR INSTALLATION BOARD		1
21	CONDENSER	17303100261	1
22	SHELF TAG	16311010470	8
23	CONDENSER FAN MOTOR COVER		1
24	CONDENSER FAN BLADE	16381738122	1
25	CONDENSER FAN MOTOR	22752520022	1
26	COMPRESSOR COMPONENT		1
27	COMPRESSOR	17202162180	1
28	POWER CORD	17664640050	1
29	FILTER	17111250198	1
30	FILTER FIXER	16369690257	1
31	COMPRESSOR INSTALLATION BOARD		1
32	GLASS DOOR HANDLE	12526260024	2
33	LEFT GLASS DOOR	14204040007	1
34	LEFT UPPER HINGE	12517210001	1
35	GASKET	16401781440	2
36	RIGHT GLASS DOOR	14204040006	1
37	UPPER RIGHT HINGE	12517210002	1
38	SHELF	12502012858	8
39	K STRIP		8
40	K CLIP	5302000003	32
41	CABINET LED LIGHT	17740410071	2

42	POWER CORD COVER		1
43	AIR PIPE PROTECTION BOARD		1
44	POWER SUPPLY FOR LED LIGHT	22753530010	1
45	TRANSFORMER FIXTURE		2
46	BOLT		2
47	GLASS DOOR TRANSFORMER	22753530021	2
48	NUT		2
49	DRAIN PAN HEATER	17602121001	1
50	RIGHT END PLATE FOR EVAPORATOR		1
51	RIGHT BRACKET FOR EVAPORATOR COVER		1
52	EVAPORATOR COVER	12504050002	3
53	LIGHT BOX PLATE	16317201343	1
54	LIGHT BOX FRAME	12901201348	1
55	LED INSIDE LIGHT BOX	17740410075	1
56	LEFT BRACKET FOR EVAPORATOR COVER		1
57	EVAPORATOR COVER		1
58	EVAPORATOR FAN BLADE	16381738012	3
59	LEFT END PLATE FOR EVAPORATOR		1
60	EVAPORATOR FAN MOTOR	22752520015	3
61	DRAIN HOSE HEATER	17603110010	1
62	EVAPORATOR DRAIN PAN		1
63	EVAPORATOR	17406070844	1
64	DEFROST HEATER	17738120881	1