

VICTORY[®]

ULTRASPEC

PROJECT: _____

ITEM # _____ QTY: _____

MODEL # _____

AIA # _____ SIS # _____

EXTRA WIDE PASS-THRU GLASS DOOR REFRIGERATOR

RSA-2D-S1-EW-PT-G-HC



EXCLUSIVE WARRANTY

- ▶ 7 Year Parts, Labor and Compressor
- ▶ Exclusive 2 Year Warranty On Magnetic Door Gaskets
- ▶ Lifetime Warranty On Handles & Hinges (parts only)

CABINET CONSTRUCTION

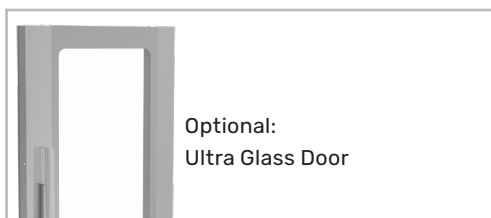
- Stainless Steel Exterior
- Aluminum Interior
- Stay-Open Door Feature For Easy Product Loading
- Glass Door
- LED On/Off Selection Within Controller
- Heavy-Duty Cylinder Locks
- One Piece, Snap-In Magnetic Door Gaskets
- Low Profile Vertical Door Handles
- Hinged Front Shroud
- Energy Saving Thermal Breaker
- Stainless Steel Breaker Caps
- 6 Silver Freeze Wire Shelves
- 6" High Adjustable Stainless Steel Legs
- 8' Cord And Plug (see electrical data for details)

FEATURES

- Full Electronic Control With Touchpoint Interface
- Expansion Valve Technology
- Manager's Lockout Feature
- Anti-Condensate Perimeter Heater
- Variable Speed Compressor Technology

REFRIGERATION

- Refrigeration System Uses R-290 Refrigerant To Comply With All Environmental Concerns
- Hot Gas Condensate Evaporator
- Adaptive Defrost For Reduced Energy Consumption And More Consistent Product Temperatures
- Epoxy Coated Evaporator Coil, Located Out Of The Food Zone
- Refrigerator Capable Of Maintaining Product Temperature 36°F To 38°F



Please Verify Qualifying Units By Visiting:
www.energystar.gov/cfs

OPTIONS & ACCESSORIES

- | | | |
|---|-------------------------------------|---|
| • Stainless Steel Case Back | • Heat Shield (left, right) | • Ultra Glass Door (as shown above) |
| • Stainless Steel Kick Plate | • Tray Slides (type A & A/C) | • FlexTemp Models Maintain Between 28°F And 38°F |
| • Door Swing Orientation (at time of order) | • 3", 6" Casters Or 6" Seismic Legs | • Remote Models* (6" legs only)
(refrigerant must be specified at time of order, see note) |
| • Additional Shelves | | |

3779 Champion Blvd, Winston-Salem, NC 27105

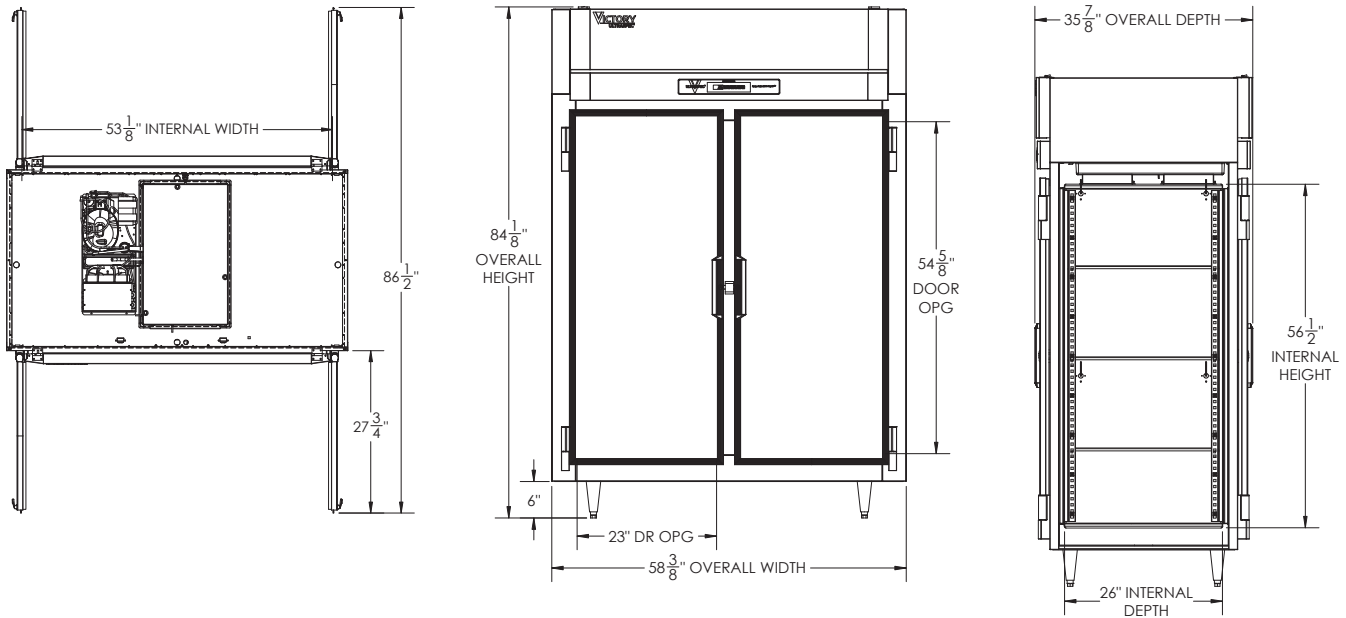
ph: (888) 845-9800 | fax: (800) 253-5168

Sales@VictoryRefrigeration.com | VictoryRefrigeration.com

Rev. 10/7/24 Printed in U.S.A.

APPROVAL: _____ DATE: _____

EXTRA WIDE PASS-THRU GLASS DOOR REFRIGERATOR



We reserve the right to change specifications and product design without notice. Such revisions do not entitle the buyer to corresponding changes, improvements, additions or replacements for previously purchased equipment. Dimensional tolerances +/- 1/4". Metric dimensions (MM)

12" Top clearance is required

CHARACTERISTICS		ELECTRICAL DATA		SHIPPING DETAILS	
Net Capacity (cubic ft.)	52.97	Cabinet Voltage**	115/60/1	Height	88"
Width, Overall (in.)	58 3/8"	Total Amperes	8.5	Width	66"
Depth, Overall (with handle)	35 7/8"	NEMA Plug (8' cord)	5-15P	Depth	41"
Height Overall (6" legs)	84 1/8"	REFRIGERATION DATA		Crated Weight	714 lbs
Depth, Door Open 90°	86 1/2"	Condensing Unit Size, HP	3/4	*NOTE: Remote units are field wired and comes with 6" legs. Refrigerant must be specified at time of order.	
Door Openings (in.)	23" x 54 5/8"	Refrigerant	R-290		
No. Of Doors/Shelves	4/6	Capacity (BTU/HR) (100°F/20°F)	4950		
		Heat Rejection (BTU/HR)	7425		
		Charge (lbs/grams/ounces)	0.2866 / 130 / 4.59		

** NOTE: This unit utilizes variable speed compressor technology. The compressor can experience nuisance tripping on Class A GFCI outlets which have a trip limit of 4 mA to 6 mA. To avoid this issue in a location that requires GFCI circuit protection, Victory recommends using either an Eaton, SCF20, or HUBBELL Model Number GFRST83W 20A Heavy Duty Hospital Grade Self-Test GFCI Receptacle.

3779 Champion Blvd, Winston-Salem, NC 27105 | ph: (888) 845-9800 | fax: (800) 253-5168

Sales@VictoryRefrigeration.com | VictoryRefrigeration.com

Rev. 10/7/24 Printed in U.S.A.