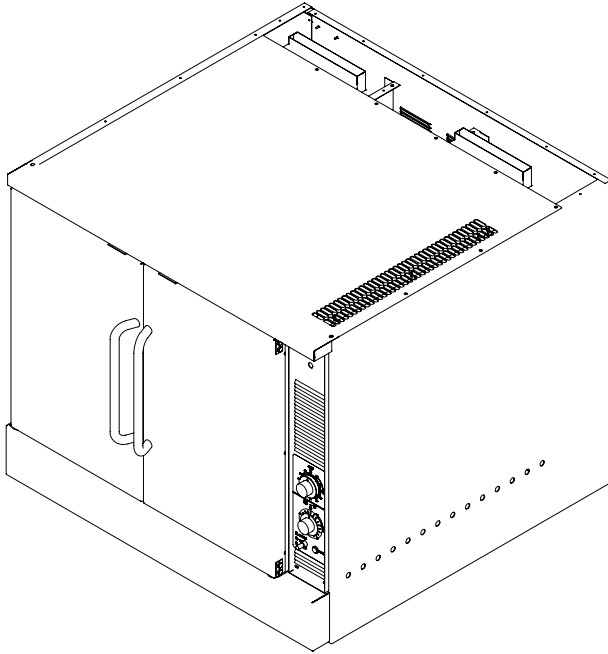


INDIRECT FIRED CONVECTION STEAMER



- CKOVEN** - Full size indirect fired convection oven
(intended to be used with an external heat source that is not supplied)

DESCRIPTION

INDIRECT FIRED - does not allow harmful flue gases into the oven cooking cavity

SMALL FOOTPRINT - 36" Wide x 35" front to back

TWO SPEED MOTOR - High Speed, 1650 RPM / low speed, 1375 RPM

MULTIPLE COOK TIMERS - (1) 5 hour timer and (1) 60 minute timer

INDEPENDENT SOLID DOORS - Allows motor to cool down oven with one door open - could also serve as a secondary heat source when the oven doors are left open

FULL SIZE OVEN - Capacity allows for (5) full size sheet pans

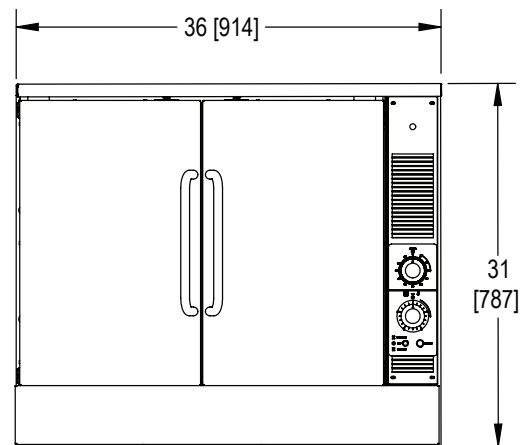
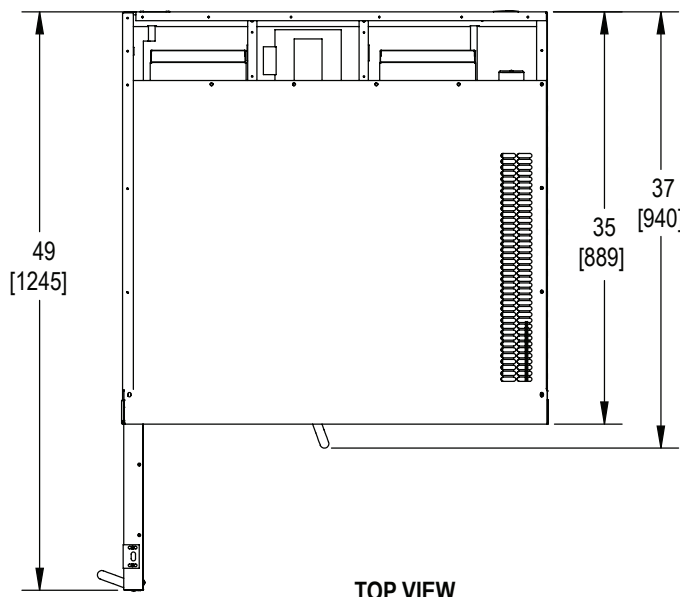
COOKING CAVITY - Has coved corners for ease of cleaning

STAINLESS STEEL CONSTRUCTION - Interior & exterior

ELECTRICAL CHARACTERISTICS

- 120 VAC, 60 Hz, 1 phase, 3.2 amps

DIMENSIONS ARE IN INCHES [MM]



The manufacturer reserves the right to modify materials and specifications without notice.

**INTENDED FOR COMMERCIAL USE ONLY.
NOT FOR HOUSEHOLD USE.**



Approval Notes: _____

Models: CK

CK

INTENDED FOR COMMERCIAL USE ONLY.
NOT FOR HOUSEHOLD USE.

