



XHC012

Project _____

Item _____

Quantity _____

Date _____

PURE-RO & PURE

FINEST

- Resin-based filtration system



DESCRIPTION

Resin-based filtration system that eliminates all substances that contribute to limescale formation from the water. It filters up to 5.690 litres of water (figure may vary depending on water hardness) and reduces the risk of corrosion in case of moderate chloride values.

APPLICATION

This filtering system must only be used on CHEFTOP MIND.Maps™ Unox ovens in order to feed the steam production line.

SYSTEM BENEFITS

The innovative lock handle 2 makes the system simple and safe to use, as it tightly locks the filter cartridge 6 in the filter head 1 and controls the water flow. The food-grade quality of this filtering system has been checked and guaranteed by independent bodies. The system does not require an external liter-counter because the oven control board informs the user when the cartridge reaches its maximum filtering capacity and needs replacing. The filtering cartridges reduce the hardness in drinking water caused by carbonates, thus preventing limescale deposits from forming in the distribution device connected in the system. As the drinking water flows through the device, calcium and magnesium ions, as well as heavy metals ions such as lead and copper, are selectively removed. In addition to reducing cloudiness and organic impurities, the filter material also reduces the level of substances that alter smell and taste, such as chlorine residues in the filtrate.





XHC012

TECHNICAL DATA

		Type of cartridge
Operating pressure	2bar – max. 8.6 bar (29 psi - max. 124.7 psi)	
Rated service flow	1.7 l/min	
Pressure drop with rated service flow	0.5 bar	
Water intake temperature	4 °C to 30 °C (39,2°F to 86°F)	
Ambient temperature during	operation	4°C to 40 °C (39,2°F to 104°F)
	storage transport	-20 °C to 50 °C (-4°F to 122°F)
Empty cartridge volume	5.4 liters (1,42 gal)	
Weight	dry	4.6 kg (10,1 lbs)
	wet	6.9 kg (15,2 lbs)
Dimensions (w x d x h)	Filtering system (filter head with filter cartridge)	144 x 144 x 557 mm 5 11/16" x 5 11/16" x 21 15/16"
	Filter cartridge	144 x 144 x 548 mm 5 11/16" x 5 11/16" x 21 9/16"
	Installation dimensions (vertical installation with wall mount)	144 x 148 x 557 mm 5 11/16" x 5 13/16" x 21 15/16"
Operating position	Horizontal or vertical	
Water inlet connector	John Guest 8 mm (5/16")	
Water outlet connector	John Guest 8 mm (5/16")	

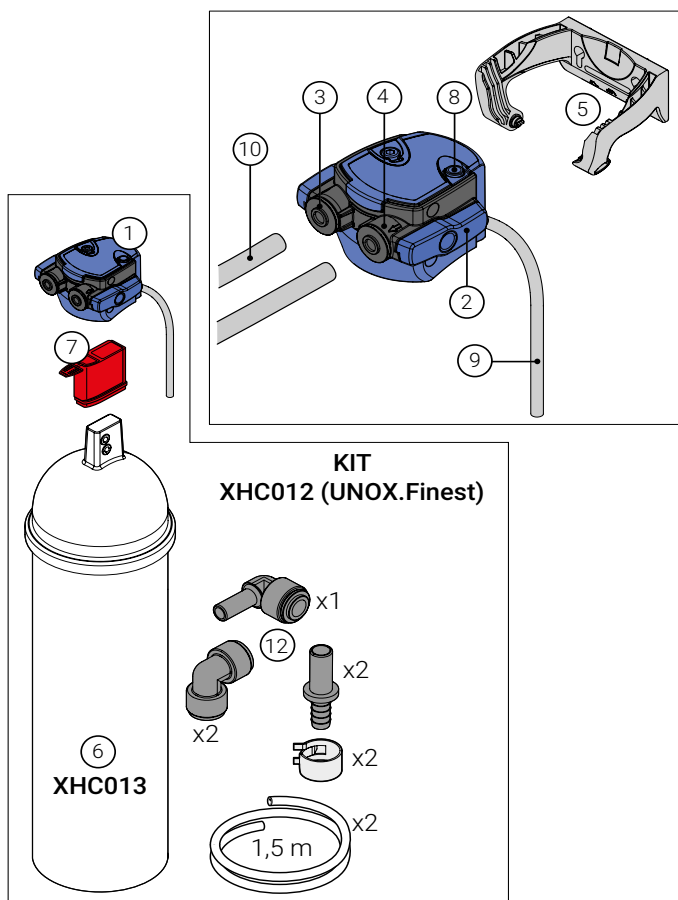
Recommended °dH	XHC013 Capacity	
	°KH	liters
20	1707	450,94
21	1626	429,54
22	1552	409,99
23	1484	392,03
24	1423	375,92
25	1366	360,86
26	1313	346,86
27	1264	333,91
28	1219	322,03
29	1177	310,93
30	1138	300,63
31	1101	290,85
32	1067	281,87
33	1035	273,42
34	1004	265,23
35	975	257,57

*Product was tested and certified by NSF International for a capacity of 3414 liters.

This system has been tested according to NSF/ANSI 42 for reduction of the sub-stances listed below. The concentration of the indicated substances in water entering the system was reduced to a concentration less than or equal to the permissible limit for water leaving the system, as specified in NSF/ANSI 42.

PERFORMANCE

Recommended °dH	XHC013 Capacity	
	°KH	liters
4	5690	1503,14
5	5690	1503,14
6	5690	1503,14
7	4877	1288,37
8	4268	1127,49
9	3793	1002,00
10*	3414	901,88
11	3104	819,99
12	2845	751,57
13	2626	693,72
14	2439	644,32
15	2276	601,26
16	2134	563,74
17	2008	530,46
18	1897	501,13
19	1797	474,72



EQUIPMENT PARTS

1. Filter head
2. Lock handle
3. Water outlet (JG8)
4. Water inlet (JG8)
5. Wall mount
6. Filter cartridge
7. Protective cap
8. Flush valve
9. Flush pipe
10. Two connecting pipes:
diameter 8 mm (5/16"), length 1.5 m (59 1/16")

INSTALLATION TIPS

Before installing the system, make sure the oven is free from limescale.

Protect the filtering system from direct sunlight and mechanical damages.
Do not install the appliance close to heat sources or open flames

If the water pressure exceeds 8.6 bars (124.7 psi), a pressure reducer needs to be installed before the filtering system.

Do not install copper pipes, or galvanised or nickel-plated pipes/connectors between the water filter and the delivery outlet.

Install a shut-off valve before the filtering system water inlet pipe.

Caution: carbonates are removed with the filtering cartridges in this filtering system.

All parts must be installed in accordance with the country-specific requirements regarding the installation of drinking water facilities (e.g. in Germany, the connection to the pipelines must have a DVGW-certified check valve, in accordance with standard DIN EN 13959, or a high-quality backflow prevention device).

For information on positioning the filter system and its operation, the BG "Working in kitchens" regulations produced by the BGZ "Food and luxury goods" technical committee (BGR 111) must be observed. Only drinking-quality water may be used as intake water in this water filtering system.

The filter system is only suitable for cold water use within the temperature range for water intake stated in table "Technical Data" (Pg. 2).

Do not use with water that is microbiologically unsafe or of unknown quality without adequate disinfection before or after the system.

The cartridge filter material has been impregnated with silver to preserve the filter and inhibit the growth of bacteria. The antimicrobial properties of the treated filter material do not protect users against bacteria, viruses, germs, or other pathogens.

Filtered water is classified as category 2, in compliance with standard EN 1717. After storage and transport below 0 °C (32 °F), before commissioning, the product must be left in its original packaging, open, for at least 24 hours at the room temperature.

UNOX recommends not leaving the filtering system idle for long periods of time. If the filtering system is not used for 2-3 days, wash the filter system by running 10 liters (2,6 gallons) of water through it. After more than 4 weeks time of inactivity, the filter should be washed with at least 100 liters (26,4 gallons) of water or re-placed. Never use the same filter cartridge for more than 12 months.

More info is contained in the filter washing instructions in the "INSTALLATION, USE AND MAINTENANCE MANUAL".

Do not open or disassemble the filtering system while it is in operation. Never open the filter cartridge.

WARRANTY

This filtering system is covered by a two-year warranty as provided for by law. It is possible to claim under warranty only if all the instructions given in this manual have been observed and respected.