



MKKCA 5711

ELECTRIC VENTLESS HOOD FOR GN 1/1 SIZE
(12" X 20") TOUCH SCREEN OVENS



FEATURES

- Steam-condensing hood reduces heat emissions
- Reduces grease-laden vapors, smoke and odors
- Easy installation
- Automatic two-speed fan operation
- Single or double-stacked ovens (with optional kit)
- Hood is controlled by the oven(s)
- Optional activated carbon filter available

*** Ventless hoods have specific requirements that can vary widely depending on your location. It is important that you consult your state and local codes for the most accurate information to determine if a ventless hood is right for your kitchen.*

Conforms to the following standards:

- Standard safety UL 197
- CSA C 22.2 No. 109:2017
- Sanitation NSF / ANSI 4-2020



Tecnoeka, Inc.
3385 Denver Drive
Denver, North Carolina 28037

Web Site: www.tecnoeka.com
E-mail: info.usa@tecnoeka.com
Toll Free: 888-626-EKA1 (3521)



Printed in the U.S.A.
March 2023

MKKCA 5711

DIMENSIONS	NET	
Width	28.74 in	730 mm
Depth	33.86 in	860 mm
Height	11.45 in	291 mm
Weight	57.3 lb	26.0 kg

UTILITY CONNECTIONS

All utility connections should be within three feet of the centerline of the back of the oven when installed.

Water supply: cold-water supply (max 86°F) connected to 3/4" NPT connection.

Water pressure: Pressure at oven water inlet: 15-30 psi.

Drain size should be a minimum of 1" diameter and either a cup or floor drain with an 1" air gap.

ELECTRICAL

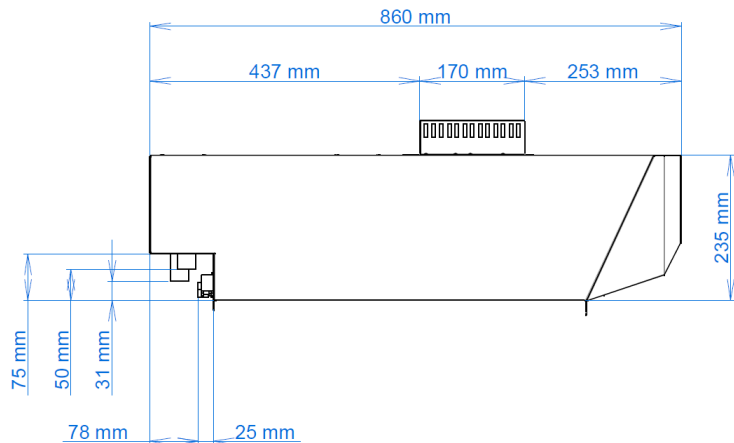
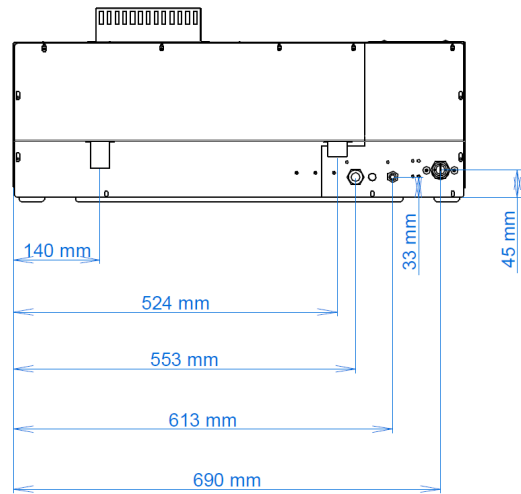
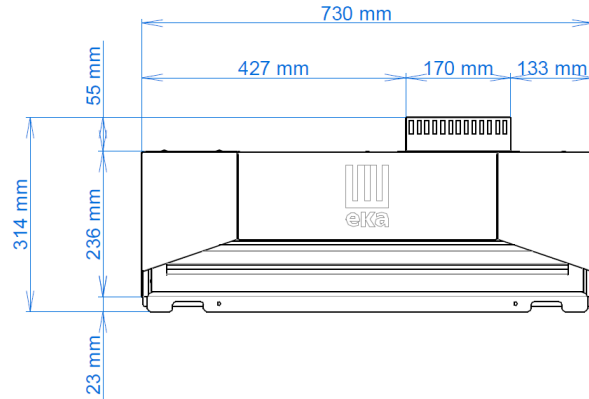
Power:	0.6 kW
Frequency:	60Hz
Voltage (AC):	240v single-phase
Current:	2.5A
NEMA Plug:	6-20P (included)

WATER QUALITY SPECIFICATIONS

Free Chlorine:	< 0.1	ppm
Hardness:	30-70	ppm
Chloride:	< 30	ppm
Total Dissolved Solids:	50-125	ppm
Silica:	< 12	ppm
pH:	7.0 - 8.5	
Chloramine:	< 0.1	ppm
Alkalinity:	< 150	ppm (CaCO ₃)

AVAILABLE OPTIONS AND ACCESSORIES

Activated Carbon Filter	EKFCA
Hood Connect Kit for Stacked Ovens	MKCAKIT



Tecnoeka, Inc.
3385 Denver Drive
Denver, North Carolina 28037

Web Site: www.tecnoeka.com
E-mail: info.usa@tecnoeka.com
Toll Free: 888-626-EKA1 (3521)



Printed in the U.S.A.
March 2021