

Potis Doner Kebab Machines / Vertical Broilers - Natural Gas

ITEM:	49160	49161	49162
MODEL:	GD3/MU	GD4/MU	GD5/MU

49160



49161



49162



Exceptional Performance and Genuine Flavours for Your Doner Kebabs.

Elevate your kitchen with Potis Natural Gas Doner Kebab Machines, designed to bring authentic doner kebab flavors right to your business. These gyro grill feature top-notch attributes and precise control, making it easy to prepare delectable doner kebabs.

FEATURES:

- **Gas type**

Available in Natural Gas option, these machines fit seamlessly with your existing setup.

- **BTU**

With robust BTU ratings for Natural Gas, these equipments provide the heat needed for perfect cooking.

- **Burners**

Features infrared burners with ceramic plates for even heat distribution and consistent cooking. These machines include continuous pilots for immediate ignition, saving energy and allowing precise control of the heating process.

- **Adjustable**

The distance between the cooking spit and burners can be adjusted to achieve your desired level of smokiness and flavor as the amount of meat decreases.

- **Dimensions**

With compact dimensions, these doner kebab machines fit neatly into your kitchen without taking up too much space.

** Natural Gas regulator must be purchased separately.*

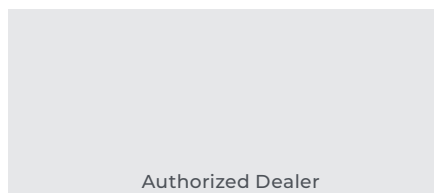
* come with conversion kits

1-833-487-3686

www.trentoequipment.com

sales@trentoequipment.com

Follow us on social media
@trentoequipment

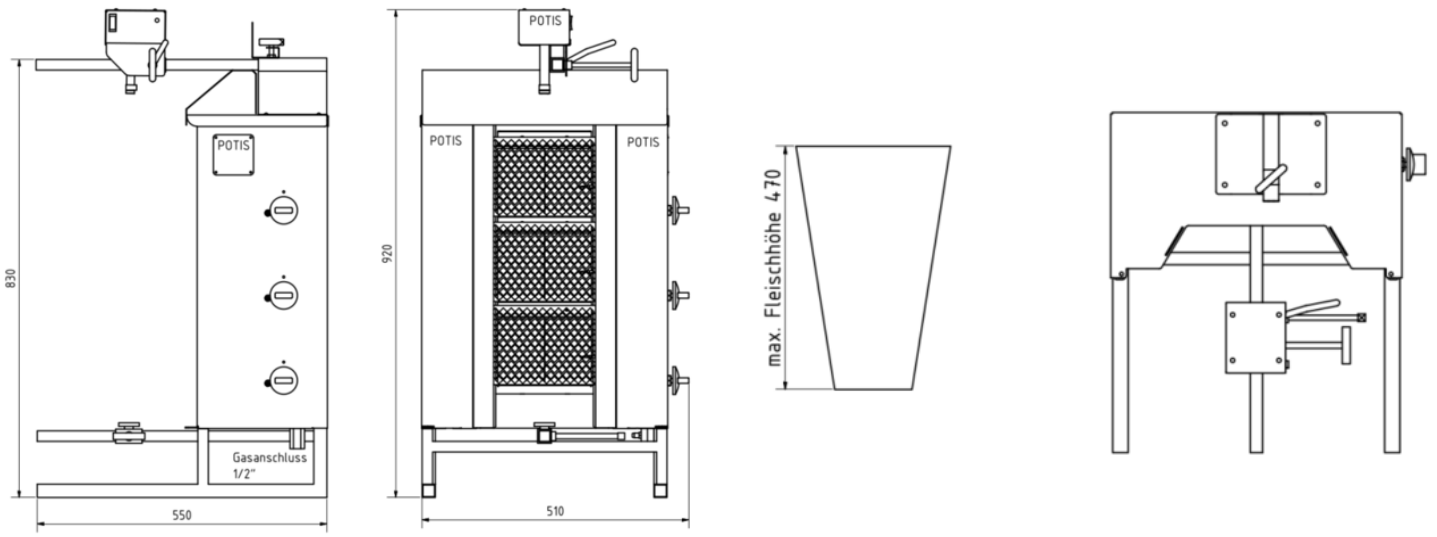


Technical Specification			
Features	40 kg, 3 Burners	70 kg, 4 Burners	120 kg, 5 Burners
Item	49160	49161	49162
Model	GD3/MU	GD4/MU	GD5/MU
Gas Type	Natural Gas (NG)		
Cooking Capacity	88.18 lbs. (40 kg)	154.3 lbs. (70 kg)	264.5 lbs. (120 kg)
Max Height of Meat	17.7" (450 mm)	24.8" (630 mm)	32" (810 mm)
Material	Stainless Steel		
BTU (per hour)	28,500	38,000	47,500
Burner Surface Area (HxW)	19.1" x 7.3" (485 x 185 mm)	25.4" x 7.3" (645 x 185 mm)	32" x 7.3" (810 x 185 mm)
Floor Space (without grease tray, WxD)	20" x 23.2" (510 x 590 mm)		26" x 23.6" (660 x 600 mm)
Floor Space (with grease tray, WxD)	20.6" x 26.7" (525 x 680 mm)	21.6" x 29" (550 x 740 mm)	26.4" x 29.5" (670 x 750 mm)
Net Weight	88 lbs. (40 kg)	154.3 lbs. (70 kg)	264.5 lbs. (120 kg)
Net Dimensions (WxDxH)	20.7" x 26.8" x 36.2" (525 x 680 x 920 mm)	40.9" x 39" x 28.6" (1040 x 990 x 727 mm)	55.1" x 61.4" x 37.4" (1400 x 1560 x 950 mm)

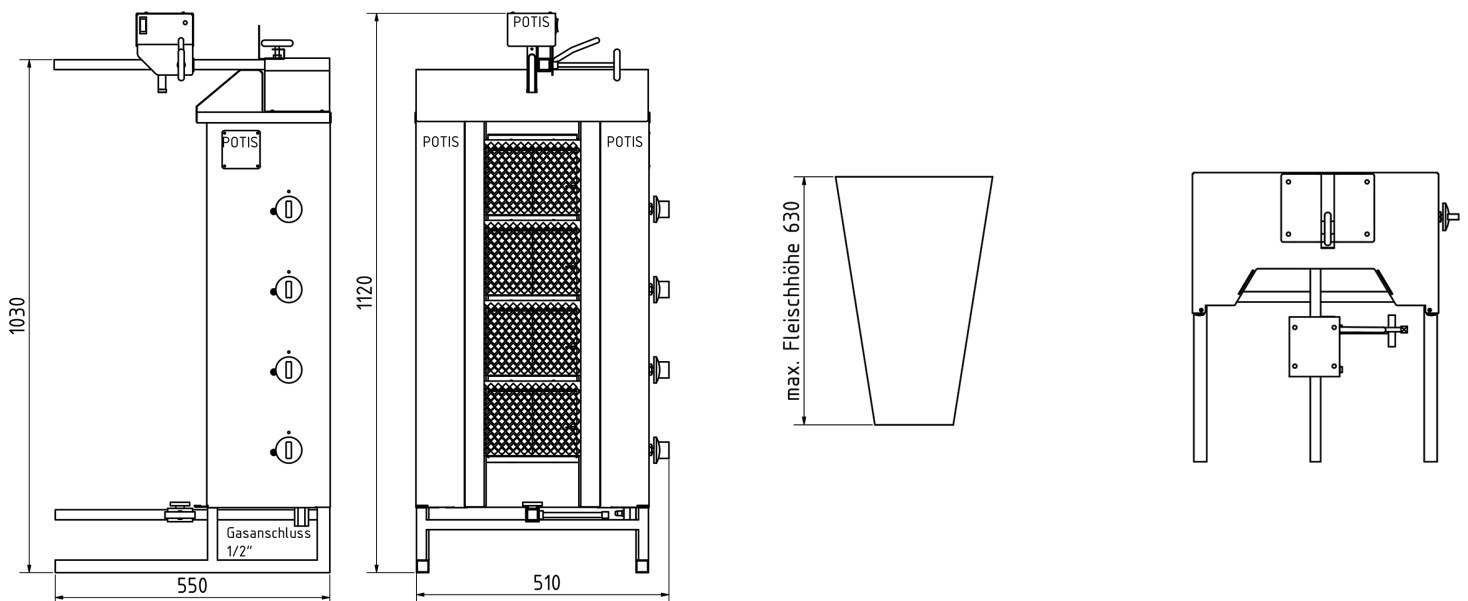
Accessories		
Item No.	Item Description	Compatible
49065	Dish (250 mm Ø)	49160, 49161, 49162
49066	Dish (195 mm Ø)	49160, 49161, 49162
49067	Dish (150 mm Ø)	49160, 49161, 49162
49068	1080 mm Skewer	49162
49069	895 mm Skewer	49161
49070	695 mm Skewer	49160, 49162
49071	Dual Burner with Nozzle - Natural Gas	49160, 49161, 49162
49072	Combustion Grating For Dual Burner	49160, 49161, 49162
49073	Motor Drive 1rpm	49160, 49161, 49162
49074	Thermocouple 330 mm	49160, 49161, 49162
49075	Magnet Coil	49160, 49161, 49162
49076	Reinforced Hand Cross (350 x 350 x 105 mm WxDxH)	49160, 49161, 49162
49130	Motor Conversion Kit for GD3/MU	49160
49145	Motor Conversion Kit for GD4/MU	49161
49146	Motor Conversion Kit for GD5/MU	49162

Technical Drawings

49160



49161



Technical Drawings

49162

