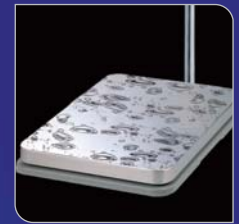




Tilt up-down, 90°



Turn left-right, 360°



Water Resistant

BW SERIES

Bench Scale

The BW Series Bench scale is an ideal scale for use in many industrial applications. Equipped with counting and checkweighing functions. The tilt and swivel indicator allows for easy reading. The BW Series platform is environmentally sealed to IP65 standards and built to stand up to years of use. Use in warehouses, shipping departments, or any general purpose weighing application.

- Protection level up to IP65 standards
- Tilt (90°) and swivel (360°) display
- Large LCD display (23.5mm)
- Wall mount kit (optional)
- Legal for trade



BW SERIES | Bench Scale

SPECIFICATIONS

| Model | BW-60 | BW-150 |
|---------------------|--|--------------------------------|
| Capacity | 150 x 0.05 lbs 60 x 0.02 kg | 300 x 0.1 lbs 150 x 0.05 kg |
| Max. Tare | Maximum Capacity | |
| Internal Resolution | 30,000 | |
| External Resolution | 1/3,000 | |
| Display Digit | 5 Digit (0.92 inch) | |
| Display Type | LCD | |
| Display Designator | STABLE, ZERO, NET, TARE, HI/OK/LOW, BAT, PCS, POWER, MINUS, KG, LB | |
| Operating Temp. | -10° C ~ 40° C / 14° F ~ 104° F | |
| Power | DC 9 V (6 - Size "C") - Mn, Alkaline Battery DC 12V 850 mA AC Adapter | |
| Power Consumption | Approx. 0.15 W | |
| Battery Life | Alkaline Dry Battery: 300 hr | |
| Platter Size (mm) | 15.7 (W) x 20.7 (D) | |
| Dimensions (mm) | 16.7 (W) x 26.6 (D) x 29.7 (H) | |
| Product Weight (kg) | 38.4 lbs | |

FEATURES

- 150 and 300 lb capacities
- Battery or AC operated (AC Adapter Included)
- Tilt and swivel head
- Lb/kg Switchable
- Stainless Steel Platter
- Large LCD Display (0.92 inch)
- Check Weigh Function (Low/OK/High)
- Counting Feature (Not Legal for Trade)
- RS-232C Interface
- Legal for Trade - COC #98-085
- *Warranty - Two Years*

OPTIONS

- Wall Mount Kit
- DEP-50 Receipt Printer
- RS-232C Cable
- Wet Cover



Wall mount kit



Receipt Samples



DEP-50 Receipt Printer

Indicator Mounting Options



BW Series
with Pole Mounted Indicator



BW Series with Optional
Wall Mounted Indicator

SWIVEL & TILTABLE HEAD DESIGN

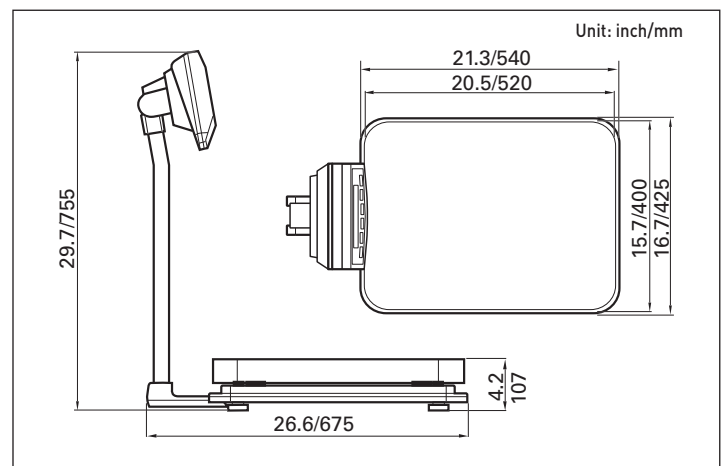


Tilt up-down, 90°(Max.)



Turn left-right, 360°(Max.)

DIMENSIONS



CAS

99 Murray Hill Parkway
East Rutherford, NJ 07073

TEL: (201) 933-9002

FAX: (201) 933-9025

http://www.cas-usa.com

Specifications are subject to change for improvement without prior notice.

