

Curtis Nitro Infuser



NIB1
Nitro Infuser Box
1 Head



NIB2
Nitro Infuser Box
2 Heads



NIB3
Nitro Infuser Box
3 Heads

Features

The Curtis Nitro Infuser incorporates needle valves to allow precise regulation of the nitrogen into the flow of any liquid that passes through the system to allow a consistent tasting drink time after time.

Stainless Steel construction to prevent rusting in damp cold conditions.

Mounting bracket for ease of installation.

Compact design to allow an easy fit into any system.

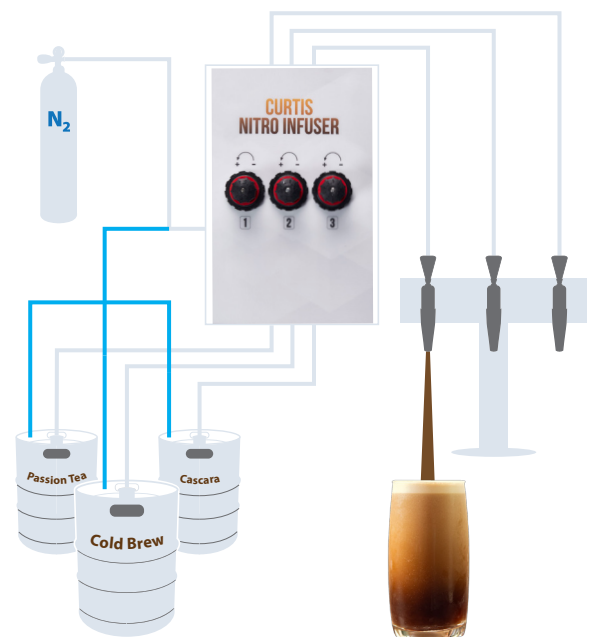
Nitrogen Infusion makes drink seem **Sweeter, Thicker and Creamy** without adding any calories.

Speedfit connection system allows for fast and accurate tubing installation for the Curtis Nitro-Infusion system.

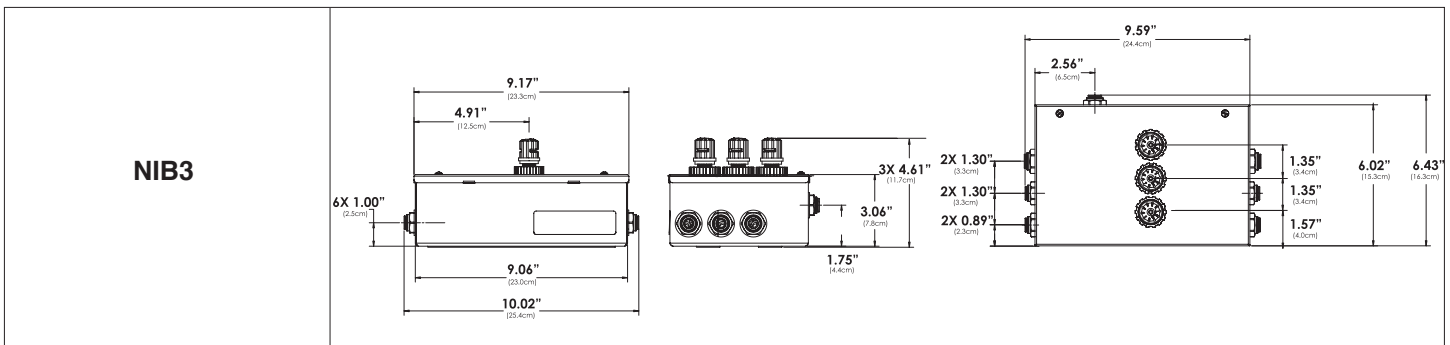
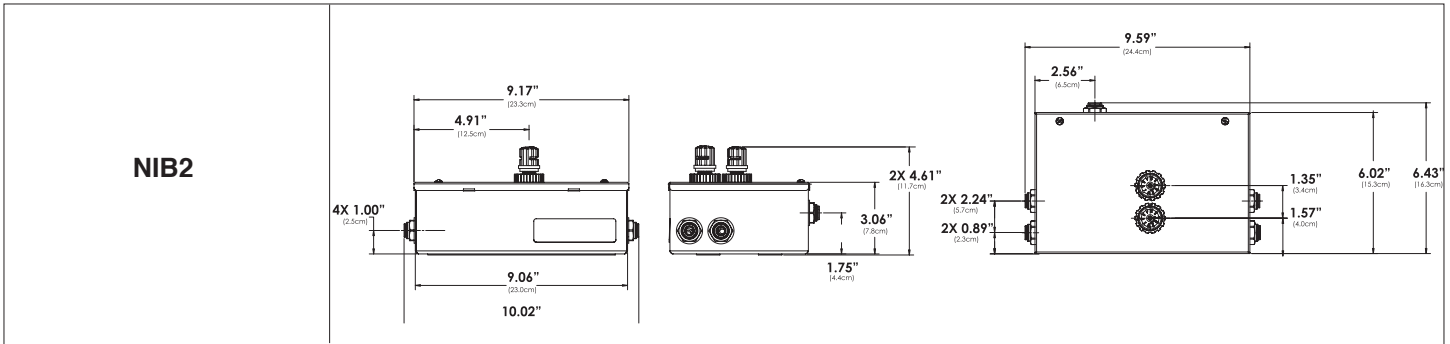
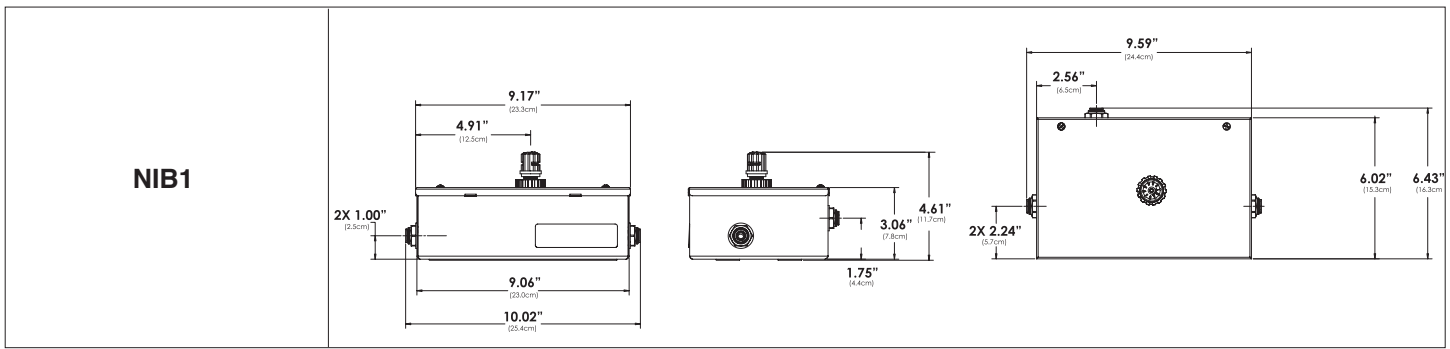
Exclusive patented design - Easy to install, easy to operate.

Superior cascading with a dual vortex venturi design allows for accurate infusion of the nitrogen.

How It Works



Curtis Nitro Infuser



Dimensions

MODEL#	DESCRIPTION	HEIGHT x WIDTH x DEPTH	SHIP WEIGHT	SHIP CUBE
NIB1	Nitro Infuser Box, 1 Head	4.61" x 6.43" x 10.02"	5.0 lbs.	0.33 ft ³
NIB2	Nitro Infuser Box, 2 Head	4.61" x 6.43" x 10.02"	5.0 lbs.	0.33 ft ³
NIB3	Nitro Infuser Box, 3 Head	4.61" x 6.43" x 10.02"	5.0 lbs.	0.33 ft ³

Utility Requirements

MODEL#	BEVERAGE INLET	BEVERAGE OUTLET	N2 INLET	MAXIMUM N2 PRESSURE
NIB1	3/8 Push-Fit Connection	3/8 Push-Fit Connection	3/8 Push-Fit Connection	50 psi
NIB2	3/8 Push-Fit Connection	3/8 Push-Fit Connection	3/8 Push-Fit Connection	50 psi
NIB3	3/8 Push-Fit Connection	3/8 Push-Fit Connection	3/8 Push-Fit Connection	50 psi

Optional Accessories:



WC-53118-120K
10 ft. Tubing



WC-2564
Plug, Stem 3/8 Tube



WARNING - These products can expose you to chemicals including Acrylamide and Bisphenol A (BPA), which are known to the State of California to cause cancer and birth defects or other reproductive harm. For more information visit www.P65Warnings.ca.gov