



Special Features:

- ✓ Commercial Heavy Duty 3 Compartment Sink
- ✓ 16-Gauge Type 304 Stainless Steel Construction
- ✓ Three Large 10-24" x 15-24" Sink Bowls
- ✓ 9-3/4" Backsplash
- ✓ 16 Gauge 1-5/8" Diameter Stainless Steel Legs
- ✓ All Seams Welded & Polished, No Burrs or Sharp Edges
- ✓ Stainless Steel Adjustable Feet
- ✓ 20 Gauge Stainless Steel Leg Bracings
- ✓ NSF Listed

About Empura Heavy Duty 3 Compartment Sinks:

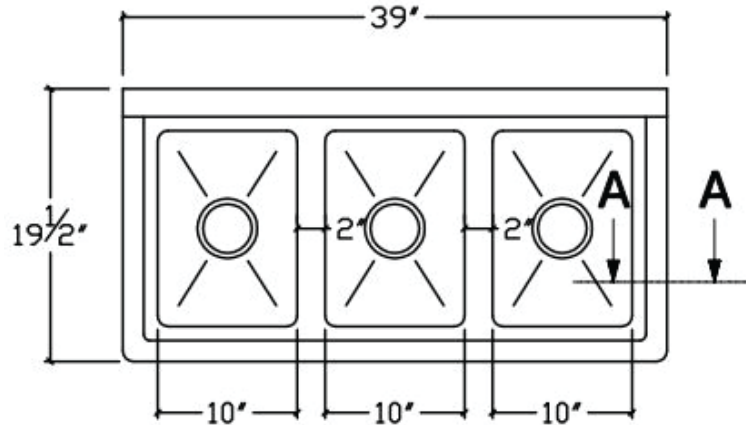
Empura 3 Compartment sinks make great economical sense when looking to update, or expand your existing dish washing station. Made with sturdy 16 gauge stainless steel and available with & without drainboards, they fit almost any kitchen layout. These sinks stand on stainless steel legs with adjustable plastic feet at a total height of 44.25". Empura compartment sinks are dependable workhorses that your kitchen staff can rely on to provide unwavering stability for washing almost any cookware, kitchen tool, or even pieces of kitchen equipment.

TECHNICAL SPECS

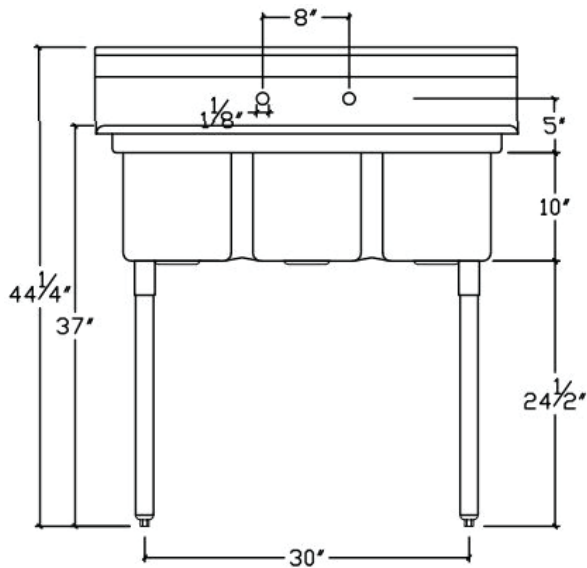
Model #	EHD31014	EHD31515	EHD31818
Sink Bowl Number	3	3	3
Drain Board	0	0	0
Drain Board Length	N/A	N/A	N/A
Overall Depth	19.5"	20.5"	23.5"
Overall Width	39"	54"	63"
Overall Height	44.25"	44.25"	44.25"
Stainless Gauge / Type	16G / 304	16G / 304	16G / 304
Leg Height	24.5"	22.5"	20.5"
Leg / Foot Material	Stainless Steel	Stainless Steel	Stainless Steel
Leg Material Gauge	16	16	16
Foot Style	Adjustable	Adjustable	Adjustable
Backsplash Height	9-3/4"	9-3/4"	9-3/4"
Bowl Length	10"	15"	18"
Bowl Width	14"	15"	18"
Bowl Depth	10"	12"	14"
Drain Basket Size	3.5" Included	3.5" Included	3.5" Included
Grade	Heavy Duty	Heavy Duty	Heavy Duty
Weight	48.22 lb	59.36 lb	86.22 lb

EHD31014

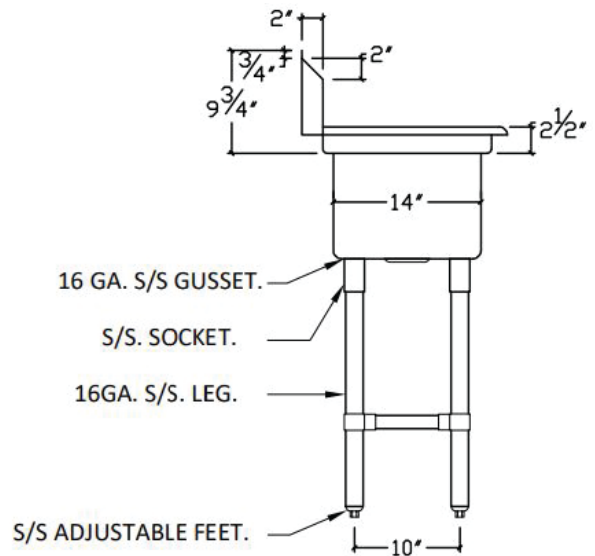
Top View



Front View



Side View

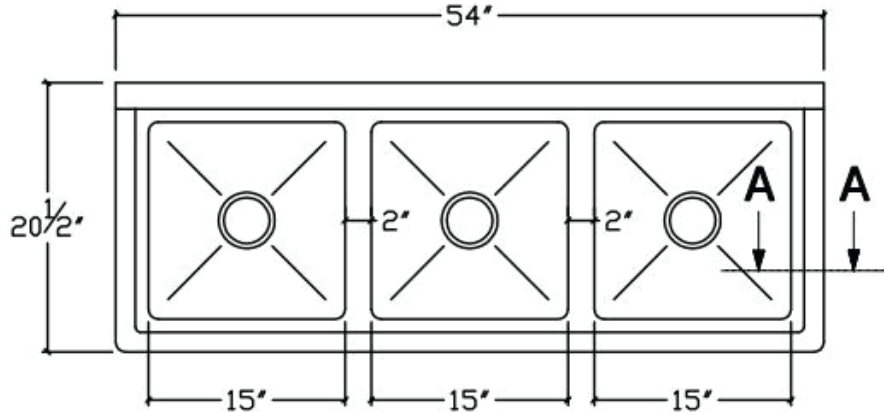


Intended For Commercial Use Only. Empura assumes no liability for component failure, factory defects or any other damages for units installed in non-commercial foodservice or residential applications.

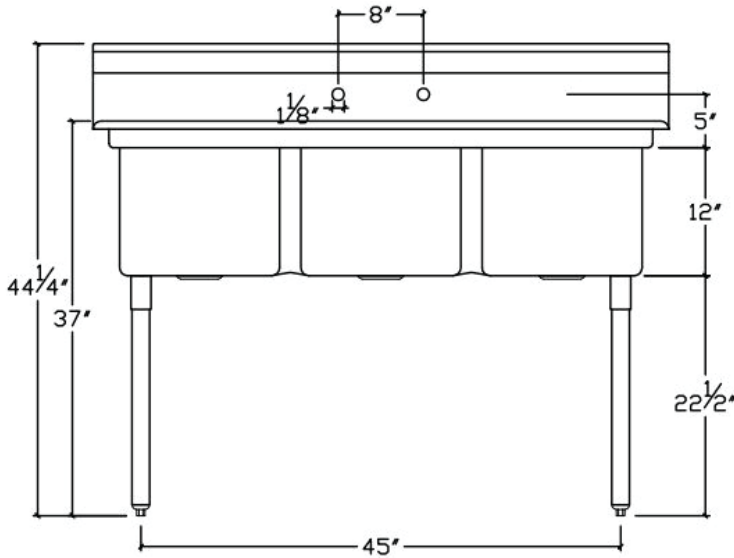
Attention CA Residents: This product can expose you to chemicals including lead, which are known to the State of California to cause cancer, birth defects, or other reproductive harm. For more information, go to www.p65warnings.ca.gov.

EHD31515

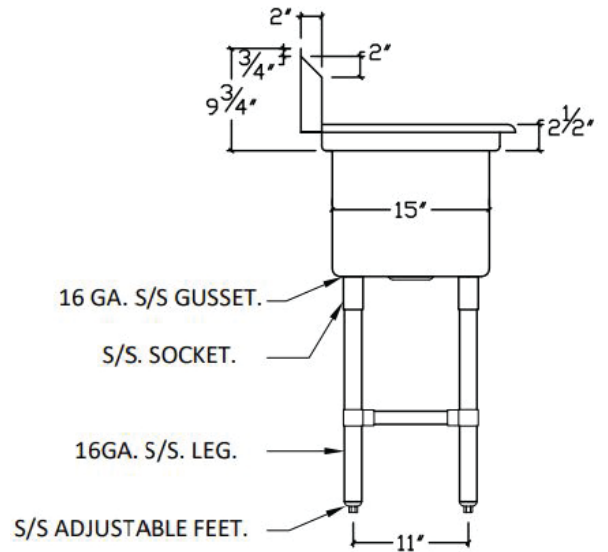
Top View



Front View



Side View

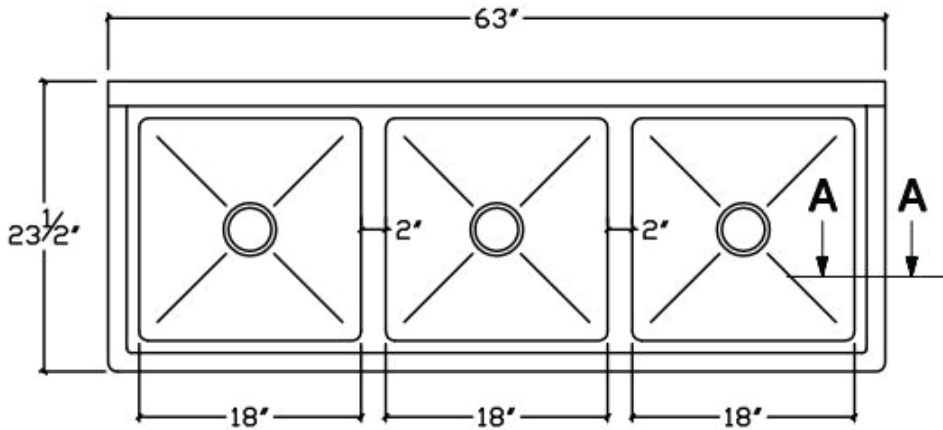


Intended For Commercial Use Only. Empura assumes no liability for component failure, factory defects or any other damages for units installed in non-commercial foodservice or residential applications.

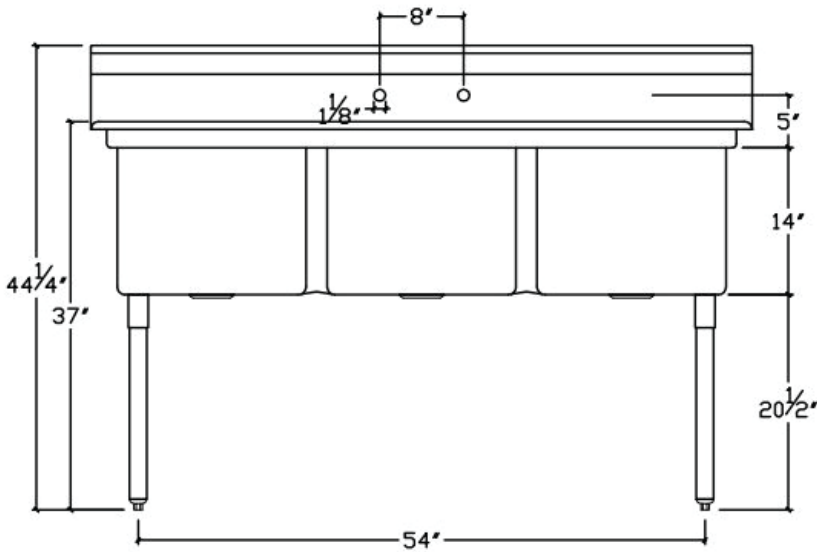
Attention CA Residents: This product can expose you to chemicals including lead, which are known to the State of California to cause cancer, birth defects, or other reproductive harm. For more information, go to www.p65warnings.ca.gov.

EHD31818

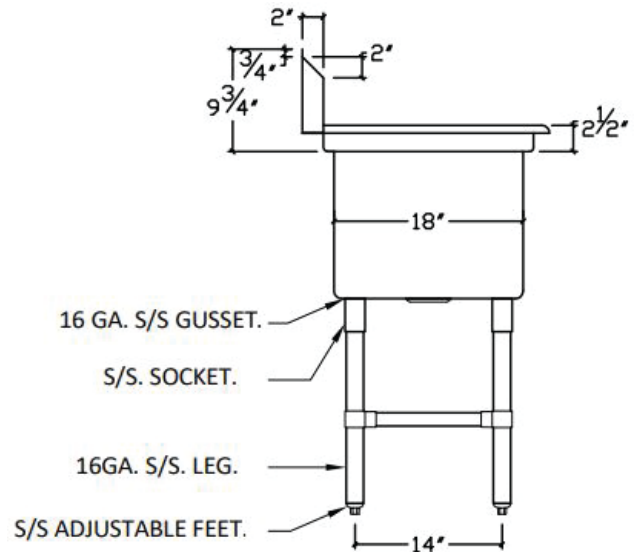
Top View



Front View



Side View



Intended For Commercial Use Only. Empura assumes no liability for component failure, factory defects or any other damages for units installed in non-commercial foodservice or residential applications.

Attention CA Residents: This product can expose you to chemicals including lead, which are known to the State of California to cause cancer, birth defects, or other reproductive harm. For more information, go to www.p65warnings.ca.gov.