

FOCUS

FOODSERVICE, LLC

Item # _____

Job _____



97342

COMMERCIAL JUICE PRESSES

Athena™

This award winning, patented juice press will effortlessly press every ounce of juice from any citrus fruit. The compact shape fits almost anywhere and is easily transported. 18-8 stainless steel perforated strainer cone and funnel cup remove for easy cleaning. Includes an additional small fruit attachment to juice grapes, berries, apples, pineapples, tomatoes, and other soft fruits. Each unit is packed in a full color tri-lingual box.

- **Durability:** Constructed of ultra-strong cast iron
- **Finish:** Enamel coating resists citrus acids, pitting & corrosion
- **Ergonomic:** Sure grip rubber handles are easy to hold & use
- **Stability:** Wide base and rubber suction cup feet for safe operation
- **Color Choices:** Available in black or white to match any décor



97346



Small fruit insert / attachment to juice berries and other soft fruits is included with all Athena™ Juice Presses.

| Item# | Description | Color | Pack |
|-------|--------------------|-------|------|
| 97342 | Athena Juice Press | White | 2 |
| 97346 | Athena Juice Press | Black | 2 |

All FOCUS juice presses carry a 1 year warranty. Please follow our use and care instructions for operation and longer product life.

Focus Foodservice, LLC • 300 Knightsbridge Parkway, Suite 500 • Lincolnshire, IL 60069 • www.focusfoodservice.com

FOCUS COMMERCIAL JUICE PRESSES - ATHENA™

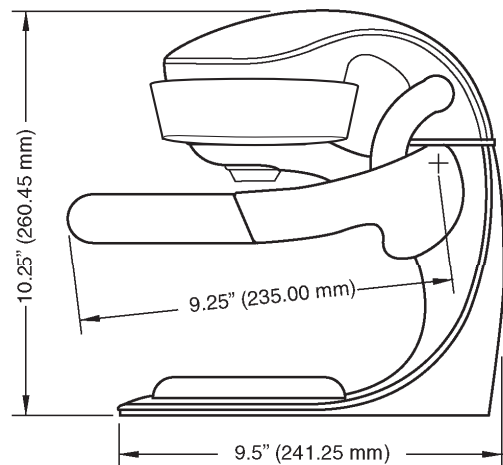
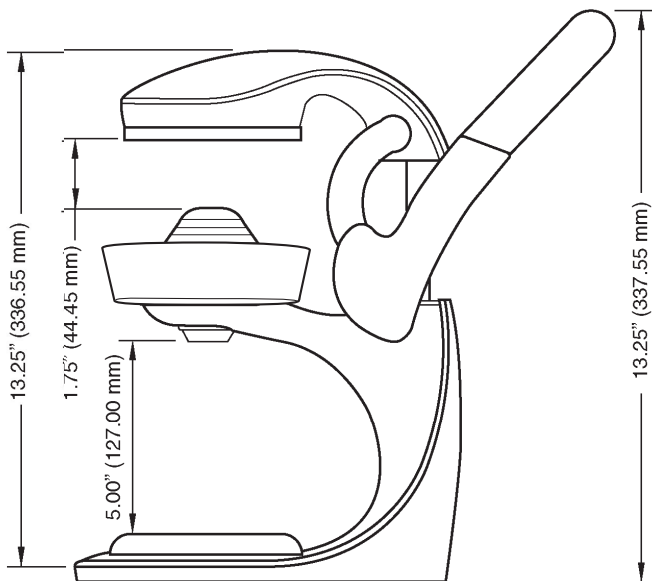
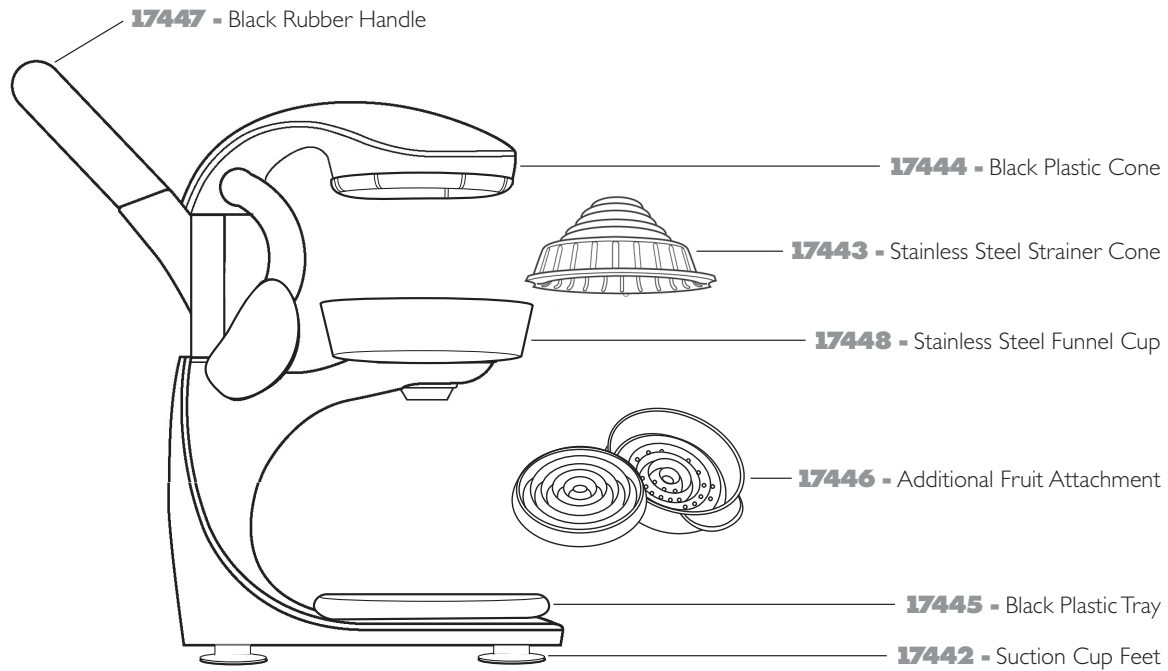
FOCUS COMMERCIAL JUICE PRESSES

ATHENA™

Job _____

(97342, 97346)

SPECIFICATIONS: PART NUMBERS AND MEASUREMENTS



* Not shown: Base width 6" (150 mm)

FOCUS

FOODSERVICE, LLC

Focus Foodservice, LLC • 300 Knightsbridge Parkway, Suite 500 • Lincolnshire, IL 60069
Phone 800-968-3918 • Fax 800-968-4129 • www.focusfoodservice.com

rev. 0611