

APPLICATION:

JOB NAME:

QUANTITY: **ITEM NO.**

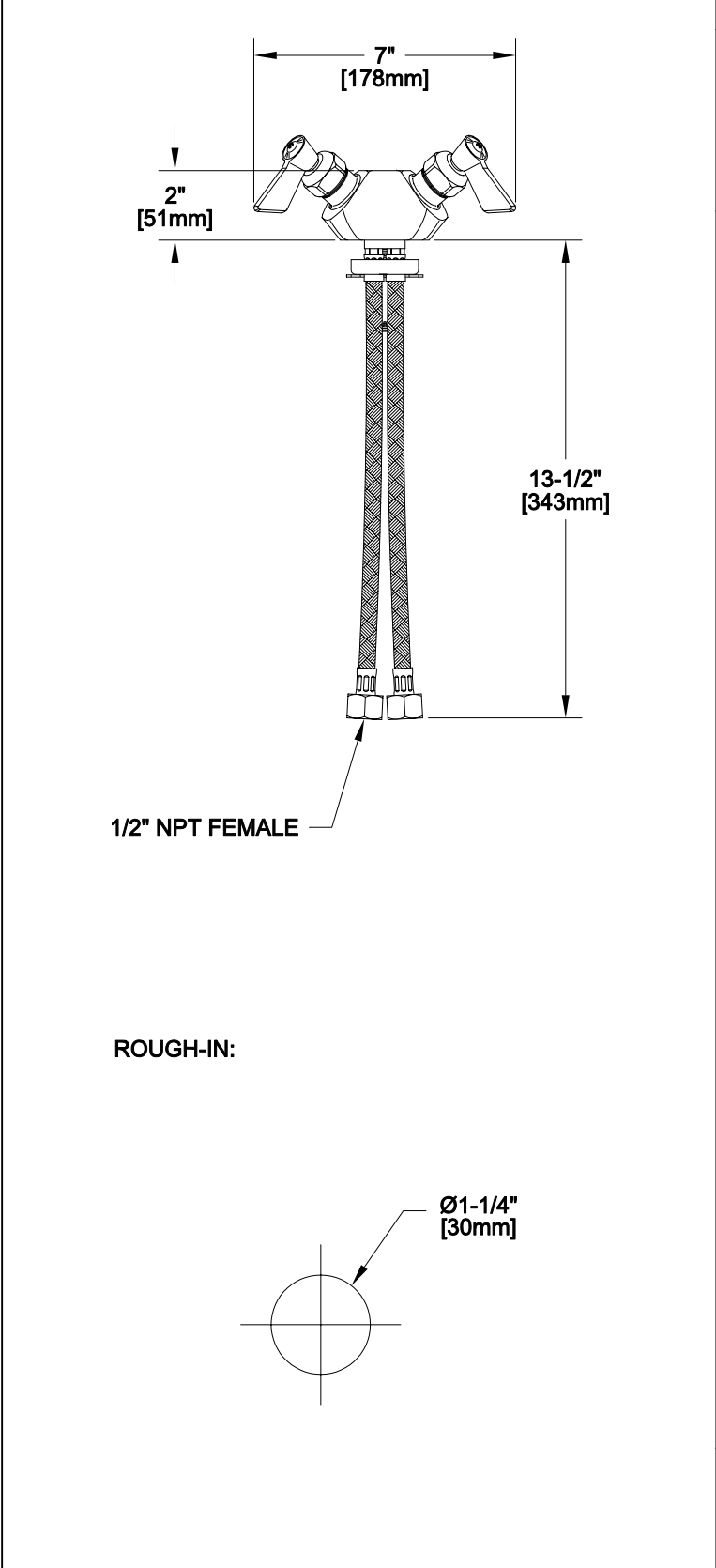
PRODUCT NAME:

SINGLE DECK DUAL CONTROL VALVE

SPECIAL CONFIGURATION
CHECK BASE MODEL AND OPTIONS

MODEL:

10529



OPTIONS OR MODIFICATIONS:

SUPPLY LINES (24" OR 36") CIRCLE LENGTH

HANDLES (CROSS OR WRIST) CIRCLE STYLE

VANDAL RESISTANT KIT

OTHER _____

- FEATURES**
- CONTROL VALVE**
- * 3/8" FEMALE NPT OUTLET
 - * HOT SIDE STEM - RIGHT HAND
 - * COLD SIDE STEM - LEFT HAND
 - * SWIVELLING SEAT DISKS
 - * STAINLESS STEEL SEATS
 - * STAINLESS STEEL SEAT SCREWS
 - * STAINLESS STEEL HANDLE SCREWS
 - * FLEXIBLE INLET HOSES

- SYSTEM LIMITS**
- * TEMP: 40°F MIN. TO 140°F MAX.
 - * PRESSURE: 200 PSI MAX. STATIC

- SHIPPING WEIGHT**
- * 5.0 LBS