

DROP IN PASTA COOKER | GAS

AMARA



ARCOBALENO®
PASTA EQUIPMENT

ADGH35/HA35

DROP IN HIGH BTU PASTA COOKER



STANDARD FEATURES

- Versatile pasta cooker; cook fresh, dry & frozen pastas plus... noodles, vegetables and more
- Automatic water fill (ADGHA35)
- Automatically maintains water level - steam or boil (ADGHA35)
- 80,185 BTU
- Fast Recovery, high efficiency, and powerful for frozen products
- 11 gallon tank
- 316 stainless steel cooking tank - corrosion resistant, marine grade
- Rounded corners, rear backsplash, and stainless steel construction - sanitary finish
- Large diameter starch skimmer drain
- Built in water fill tap, overflow safety drain and floor drain
- Variable burner temperature
- Water safety sensor
- Equipped with gas regulator, Piezoelectric ignition, pilot light and thermocouple safety valves
- Equipped for Natural Gas installation
- Liquid Propane (LP) is available upon request at time of order
- Custom integration into kitchen suite is required, contact factory for details
- Factory and on-location training. The Only Full-Service Pasta Machine Manufacturer in North America!

OPTIONAL FEATURES & ACCESSORIES

- Variety of pasta basket options - pasta baskets sold separately



ADGH35



ADGHA35
Automatic water fill

Pasta Basket Options



1 2 3 4 5 6

Pasta Basket Combinations



Basket #	1	2	3	4	5	6
Capacity* (lbs)	14-15 lbs	8-9 lbs	6-7 lbs	3-4 lbs	1-2 lbs	0.75-1 lb
Capacity* (oz)	224-240 oz	128-144 oz	96-112 oz	48-64 oz	16-32 oz	12-16 oz
Capacity* (g)	6,350-6,804 g	3,629-4,082 g	2,722-3,175 g	1,361-1,814 g	454-907 g	340-454 g

*For short pastas, capacity varies by shape

WARRANTY

One Year: For more information visit arcobalenollc.com/warranty.html



TRY BEFORE YOU BUY

In an effort to ensure success, we maintain a test kitchen where you can have your very own recipe tested for quality! Call for details.



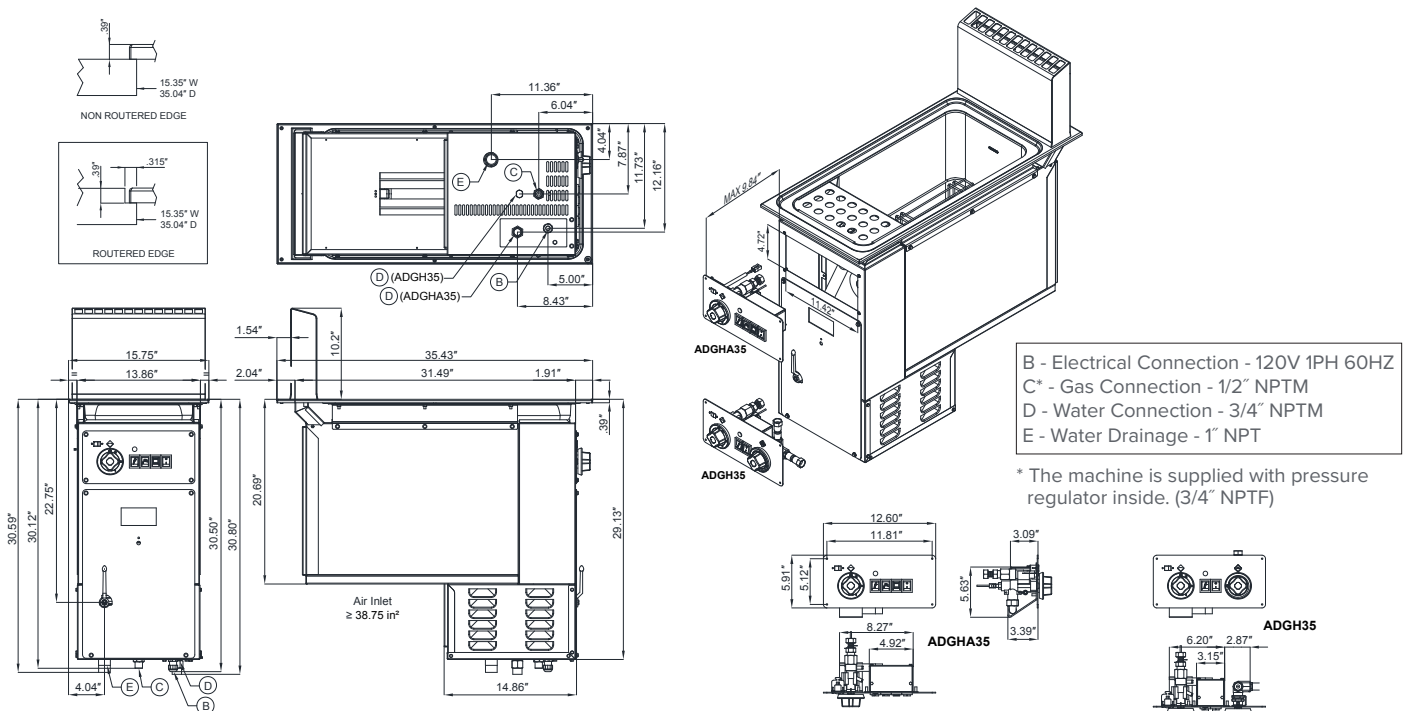
DROP IN PASTA COOKER | GAS



ADGH35/HA35 TECHNICAL SPECIFICATIONS

Model	ADGH35	ADGHA35 (automatic water fill)
Tank	1	1
Tank Volume	11 gallon	11 gallon
Tank Dimensions	12"W x 20"D x 12.75"H	12"W x 20"D x 12.75"H
Natural Gas/LP Connection	1/2" NPTM (Qty: 1)	1/2" NPTM (Qty: 1)
Natural Gas/LP Pressure	7" WC max NG / 11" WC max LP	7" WC max NG / 11" WC max LP
Total Gas Power	80,185 BTU	80,185 BTU
Total Electric Power*	120V/1/60Hz 0.015kW (0.24 Amps @ 120V)	120V/1/60Hz 0.018kW (0.29 Amps @ 120V)
Water Connection	3/4" NPTM (Qty: 1)	3/4" NPTM (Qty: 1)
Water Pressure	14.5 - 72.5 psi	14.5 - 72.5 psi
Water Draining	1" NPT (Qty: 1)	1" NPT (Qty: 1)
Machine Dimensions	15.75"W x 35.5"D x 41.5"H	15.75"W x 35.5"D x 41.5"H
Shipping Dimensions	48"W x 38"D x 21"H	48"W x 38"D x 21"H
Machine Weight	124 lbs	124 lbs
Shipping Weight	185 lbs	185 lbs
Shipping Class	92.5	92.5

* Power cord supplied with unit. Nema plug not provided. Consult local electrician for proper connection.



CAD file available on KCL or contact factory 717-394-1402. | Specifications subject to change without notice | © Copyright 2024 Arcobaleno® Pasta Machines, LLC