



Project _____
 AIA # _____ SIS # _____
 Item # _____ Quantity _____ C.S.I. Section 114000

CONDENSATION CAP

Accessory for Countertop Steamer



STEAM-CAP
 shown on C24E05 with STAND

MODELS

STEAM-CAP

STANDARD FEATURES

- For use with C24E03, C24E05, C24E03AF and C24E05AF Counter Steamers
- Stainless steel exterior
- Packaged separately for field installation
- Front louvers
- Steam hose and hardware are included
- Not available on stacked units

CONDENSATION CAP - Accessory for Countertop Steamer

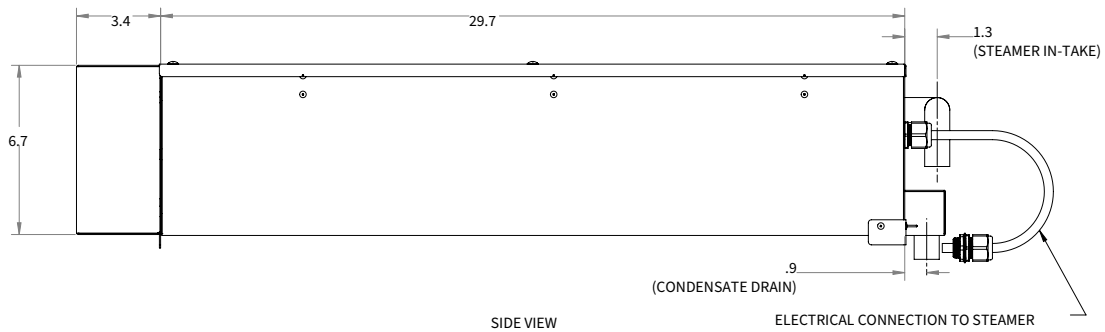
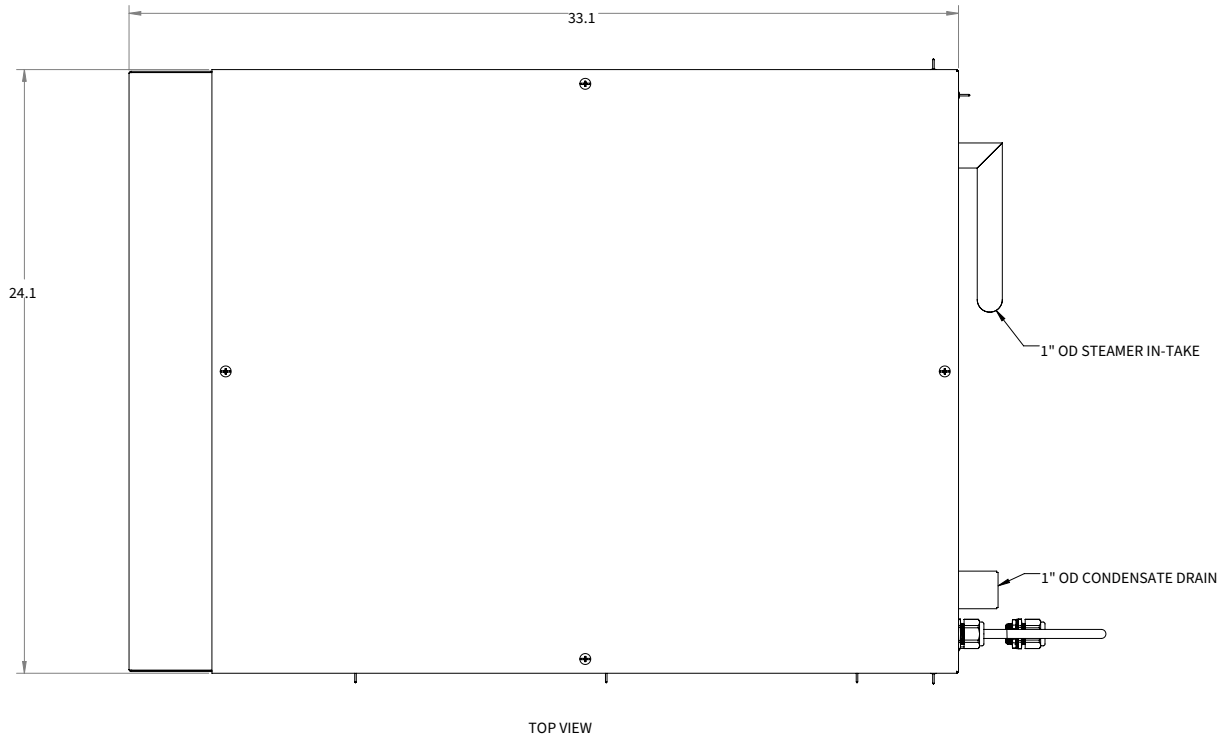
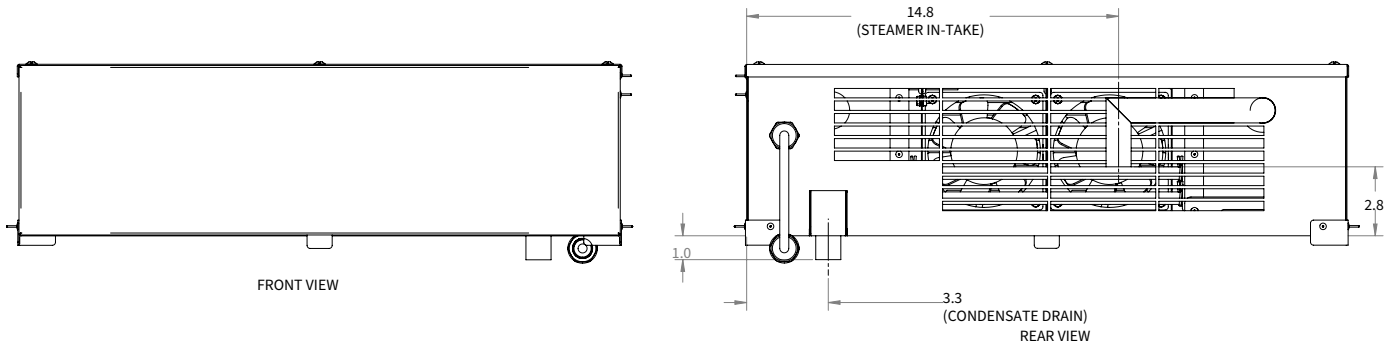
SPECIFIER STATEMENT

The steam cap reduces the need for the steamer to be placed under a hood. The steamer's exhaust is cooled and condensed by the internal cross over tubes. The cap is wired directly to the steamer — reducing the need for additional outlets or connections. Drain connection is 1" OD tubing. The cap connection tube to steamer is provided, as well as an 8' drain tube that can be cut to length in the field. Local plumbing and ventilation requirements do apply and should be consulted prior to installation for approval. Depending on the application, condensation may drain to a floor drain or to a separate container.

Exterior Dimensions:

24.1"W x 33.1"D x 6.7"H

Approved by _____ Date _____ Approved by _____ Date _____



As continued product improvement is a policy of Vulcan, specifications are subject to change without notice.