



| | | | | |
|--------------|-----|----------|--|-------|
| PROJECT NAME | | LOCATION | | AIA # |
| ITEM # | QTY | MODEL # | | SIS # |

SPEC SERIES®

PASS-THRU SOLID HALF FRONT/SOLID HALF REAR SWING DOORS HEATED CABINETS

| models | STR1HPT-2HS-2HS | STA1HPT-2HS-2HS | STG1HPT-2HS-2HS |
|--------|-----------------|-----------------|-----------------|
|--------|-----------------|-----------------|-----------------|



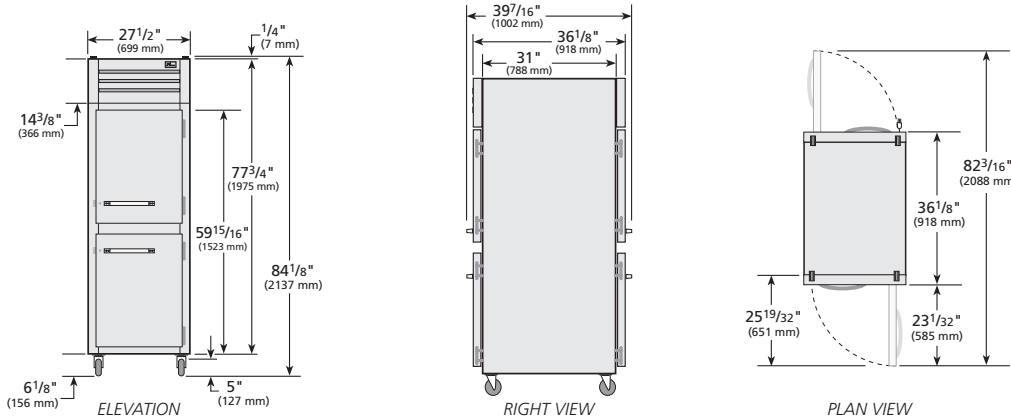
| STR1HPT-2HS-2HS | |
|-----------------|---|
| Exterior | Stainless steel door, front & sides. |
| Interior | Stainless steel side walls, back, floor, door liner, & ceiling. |
| Shelving | (1) Interior kit option included per full section. |

| STA1HPT-2HS-2HS | |
|-----------------|---|
| Exterior | Stainless steel door, front & sides. |
| Interior | Aluminum side walls & back. Stainless steel floor & ceiling. |
| Shelving | (3) Heavy duty, chrome plated, wire shelves per section. |

| STG1HPT-2HS-2HS | |
|-----------------|---|
| Exterior | Stainless steel door, with matching aluminum sides. |
| Interior | Aluminum side walls & back. Stainless steel floor & ceiling. |
| Shelving | (3) Heavy duty, chrome plated, wire shelves per section. |

| SPECIFICATIONS | | |
|--|--------------|---------------|
| Dimensions | in. | mm. |
| Length | 27½ | 699 |
| Depth † | 36⅞ | 918 |
| Height * | 77¾ | 1975 |
| Electrical | U.S. | International |
| Watts | 1500 | |
| Voltage | 208-240/60/1 | |
| NEMA | 6-15P | |
| Cord Length | 9 ft. | 2.74 M. |
| 208-240/60/1 NEMA-6-15R | | |
| * Height does not include 6⅞" (156 mm) for castors or 6" (153 mm) for optional legs. Height does not include ¼" (7mm) for system mechanical components. † Depth does not include 1½" for front & back door handles. | | |

plan view



Specifications subject to change without notice.
 Chart dimensions are rounded up to the nearest ⅛" (millimeters rounded up to the next whole number).

| | | |
|------|-------------------|---------------------|
| | APPROVALS | AVAILABLE AT |
| 4/20 | Printed in U.S.A. | |



| | | |
|--------------|----------|---------|
| PROJECT NAME | LOCATION | AIA # |
| ITEM # | QTY | MODEL # |
| | | SIS # |

SPEC SERIES®

PASS-THRU SOLID FRONT/SOLID REAR SWING DOORS HEATED CABINETS

| | | | |
|--------|-----------------|-----------------|-----------------|
| models | STR1HPT-2HS-2HS | STA1HPT-2HS-2HS | STG1HPT-2HS-2HS |
|--------|-----------------|-----------------|-----------------|



standard features

HEATER SYSTEM

- Cabinet designed to provide holding temperatures of 140°F to 180°F (60°C to 82.2°C). Heating system controlled by exterior on/off switch and electronic temperature control.
- One (1) stainless steel (for corrosion resistance), heating element for uniform generation of electric heat. Cabinet comes with a total of 1500 watts.
- Manually controlled vent located on top of the cabinet for positive humidity control.

CABINET CONSTRUCTION

- Insulation - entire cabinet structure and solid door are foamed-in-place using Ecomate. A high density, polyurethane insulation that has zero ozone depletion potential (ODP) and zero global warming potential (GWP).
- 5" (127 mm) diameter plate castors - locks provided on front set.

DOORS

- Lifetime guaranteed bolt style door lock standard.
- Lifetime guaranteed heavy duty all metal working door handles.
- Positive seal self-closing doors with 120° stay open feature. Lifetime guaranteed external cam lift door hinges, four (4) per door section.

- Magnetic door gaskets of one piece construction, removable without tools for ease of cleaning.

LIGHTING

- Incandescent interior lighting; lights activated by exterior on/off switch, safety shielded.

MODEL FEATURES

- Exterior digital temperature display, available with either °F or °C.
- Designed to hold warm baked or cooked food. Cabinet is not designed to heat ambient or cold product.
- NSF-4 compliant for open food product.

ELECTRICAL

- True requires that a sole use circuit be dedicated for the unit.
- Unit completely pre-wired at factory and ready for final connection to a 208-240/60/1 Hz. single phase, 15 amp dedicated outlet. Cord and plug set included.

OPTIONAL FEATURES/ ACCESSORIES

(upcharge & lead times may apply)

- 6" (153 mm) standard legs.
- 6" (153 mm) seismic/flanged legs.
- 6" (153 mm) stainless steel legs.
- Additional shelves.
- Security package.

SHELVING KIT OPTIONS

- STR series kits factory installed at no charge. STA & STG series kits field installed, upcharge applies, lead times may apply.
- Kit #1: Nine (9) sets of #1 type tray slides and pilasters (field installed), bottom support of one (1) 18"L x 26"D (458 mm x 661 mm) pan or two (2) 14"L x 18"D (356 mm x 458 mm) pans.
- Kit #2: One (1) set half-section #2 steel rod tray slides and pilasters (field installed), rim support of one (1) 18"L x 26"D (458 mm x 661 mm) pan.
- Kit #3: Six (6) sets of universal type tray slides and pilasters (field installed), bottom support of one (1) 18"L x 26"D (458 mm x 661 mm) pan, two (2) 14"L x 18"D (356 mm x 458 mm) pans or two (2) 12"L x 20"D (305 mm x 508 mm) pans.
- Kit #4: Three (3) chrome shelves 25"L x 27 3/4"D (635 mm x 705 mm). Four (4) shelf supports included per shelf (field installed); adjustable on 6" (153 mm) increments. Optional wall mounted shelf support pilasters (field installed) with four (4) shelf clips per shelf available; adjustable on 1/2" (13 mm) increments (must order at time of cabinet order).
- Additional kit option components available individually.

WARRANTY*
 Three year warranty on all parts and labor.
 (U.S.A. only)

METRIC DIMENSIONS ROUNDED UP TO THE NEAREST WHOLE MILLIMETER

SPECIFICATIONS SUBJECT TO CHANGE WITHOUT NOTICE



| Model | Elevation | Right | Plan | 3D | Back |
|-------------------|-----------|-------|------|----|------|
| ST()1HPT-2HS-2HS | | | | | |

*RESIDENTIAL APPLICATIONS: TRUE assumes no liability for parts or labor coverage for component failure, factory defect or any other damages for units installed in non-commercial foodservice or residential applications.