



# T&S BRASS AND BRONZE WORKS, INC.

2 Saddleback Cove / P.O. Box 1088  
Travelers Rest, SC 29690

Model No.

**B-1433-01M-QDS**

Item No.

Travelers Rest, SC: 800-476-4103 • Simi Valley, CA: 800-423-0150 • Fax: 864-834-3518 • www.tsbrass.com

This Space for Architect/Engineer Approval

Job Name \_\_\_\_\_ Date \_\_\_\_\_

Model Specified \_\_\_\_\_ Quantity \_\_\_\_\_

Customer/Wholesaler \_\_\_\_\_

Contractor \_\_\_\_\_

Architect/Engineer \_\_\_\_\_

B-0963  
Continuous Pressure  
Vacuum Breaker w/  
Integral Check Valve

3/8" NPT x 36"  
Flexible Water  
Connector  
To Hose Reel

Stainless Steel  
Quick Disconnect

3/8" NPT x 40" Riser

Control Valve

(2) B-0109-07  
Wall Brackets

EasyInstall  
3/8" NPT x 16" Riser

3 11/16"  
[94mm]

Adjustable From  
7 3/4" to 8 1/4"  
[197mm to 210mm]

8" Wall Mount  
Mixing Faucet w/  
Quarter-Turn  
Eterna Cartridges w/  
Spring Checks &  
Lever Handles w/  
Color Coded  
Indexes

12 5/8"  
[321mm]

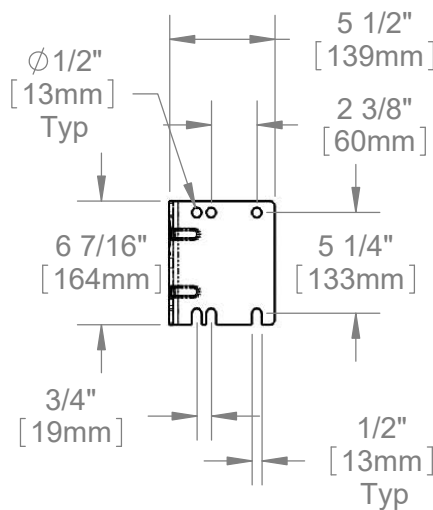
Ø 2" [51mm]  
Flanges w/  
1/2" NPT  
Female Inlets



EB-2322  
Extended Wand Spray Valve w/  
AW-5B Stainless Steel QD  
**2019 DOE PRSV Non-Compliant**

Open Coated  
Hose Reel  
w/ 35' of 3/8"  
Hose

B-0107  
1.15 GPM  
Spray Valve w/  
AW-5B  
Stainless  
Steel QD



63 5/16"  
[1608mm]

17 13/16"  
[452mm]

2 3/8"  
[61mm]

**Product Specifications:**

Open Coated Hose Reel w/ 35' of 3/8" Hose, Two Spray Valves w/ Quick Disconnects, Vacuum Breaker, 3/8" NPT Flexible Water Connector, 8" Wall Mount Mixing Faucet & Control Valve

**Product Compliance:**

NSF 61 Exempt (Non-Potable)  
2019 DOE PRSV - Class II (B-0107)  
2019 DOE PRSV Non-Compliant (EB-2322)  
ASSE 1056 (VB)



# T&S BRASS AND BRONZE WORKS, INC.

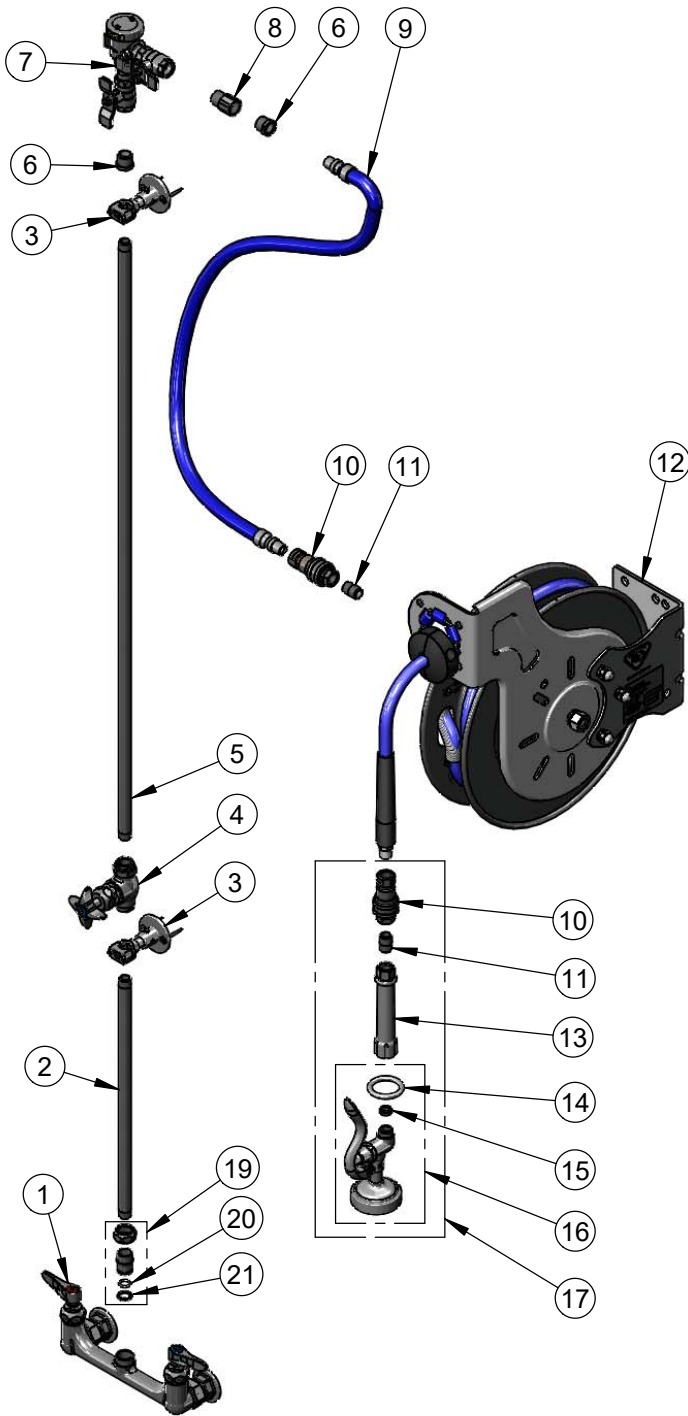
2 Saddleback Cove / P.O. Box 1088  
Travelers Rest, SC 29690

Model No.

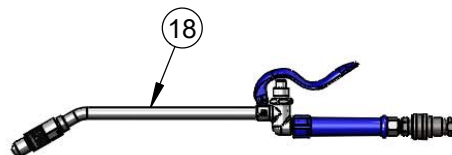
**B-1433-01M-QDS**

Item No.

Travelers Rest, SC: 800-476-4103 • Simi Valley, CA: 800-423-0150 • Fax: 864-834-3518 • www.tsbrass.com



ITEM NO.	SALES NO.	DESCRIPTION
1	002832-40	8" Wall Mount Mixing Faucet
2	000368-40	3/8" NPT x 16" Riser
3	B-0109-07	Wall Bracket
4	0RK3	0RK3 Control Valve
5	002558-40	3/8" NPT x 40" Riser
6	001359-40	1/2" NPT Male x 3/8" NPT Female Hex Bushing
7	B-0963	1/2" NPT Continuous Pressure VB w/ Integral Check Valve
8	015073-40	Check Valve w/ 1/2" NPT Adapter
9	HW-2B-36	3/8" NPT x 36" Flexible Water Hose
10	AW-5B	3/8" NPT Quick Disconnect
11	002535-25	3/8" Close Nipple
12	B-7232	Open Coated Hose Reel w/ 35' of 3/8" Hose
13	002881-40	Grip Handle, 3/8" NPT
14	000907-45	Spray Valve Hold Down Ring
15	010476-45	#27 Washer
16	B-0107	1.15 GPM Spray Valve
17	B-0107-QD	1.15 GPM Spray Valve w/ Stainless Steel Quick Disconnect
18	EB-2322-QD	Extended Wand Spray Valve w/ Stainless Steel Quick Disconnect
19	EZ-K	EasyInstall Kit
20	001065-45	O-Ring
21	014200-45	Lock Washer



**Product Specifications:**

Open Coated Hose Reel w/ 35' of 3/8" Hose, Two Spray Valves w/ Quick Disconnects, Vacuum Breaker, 3/8" NPT Flexible Water Connector, 8" Wall Mount Mixing Faucet & Control Valve

**Product Compliance:**

NSF 61 Exempt (Non-Potable)  
2019 DOE PRSV - Class II (B-0107)  
2019 DOE PRSV Non-Compliant (EB-2322)  
ASSE 1056 (VB)