



# Globe Slicer Accessories and Options

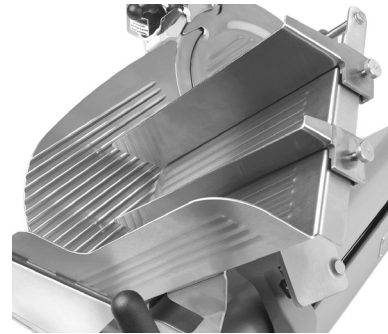


GLOBE FOOD EQUIPMENT COMPANY



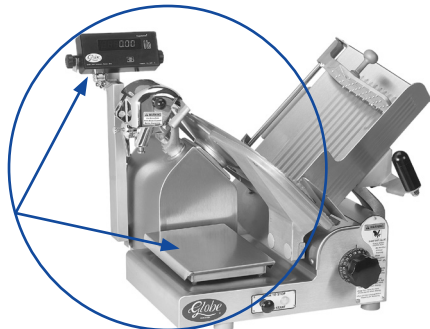
### Vegetable Hopper (699-BAS)

- For slicing fruits, vegetables, lettuce for sandwiches, and cabbage for slaw
- Fits any Globe slicer
- 14”L x 7”W



### Adjustable Food Fences

- Helps hold round or rectangular products to ensure quality slices and high yield
- 1047 (12”L x 1 3/8”H)
- 1326 (12”L x 3”H)



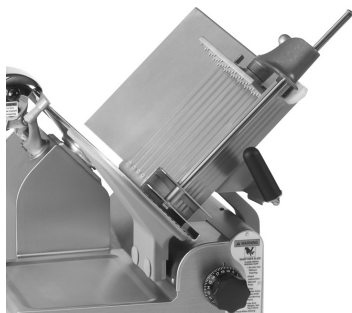
### Portion Control Scale (PS13)

- Takes the guesswork out of slicing
- 10 lb. capacity x .01 lbs.
- Not a legal for trade scale



### End Weight with Meat Prongs (PRONGS)

- Ideal for holding larger products in place while slicing
- Standard on Globe’s automatic slicers
- For 3600P and 4600P only. (Must be stated on the purchase order when slicer is ordered.)



### Front Mounted End Weight (FMEW)

- Features 16” of usable space for taller products
- End weight swivels to accommodate narrow or wide product
- Usable in conjunction with a food fence
- Specify if it is for a 3000P or 4000P series slicer when ordering



### Lift Lever (LEVER)

- Lifts the slicer to an upright and tilted position
- Facilitates safe and easy cleaning
- Standard on Globe’s automatic slicers
- For 3600P and 4600P only. (Must be stated on the purchase order when the slicer is ordered.)

Globe Slicer Accessories and Options



**GLOBE FOOD EQUIPMENT COMPANY**  
[www.globeslicers.com](http://www.globeslicers.com)

2153 Dryden Rd.  
 Dayton, OH 45439  
 Phone: 937-299-5493  
 Phone: 800-347-5423  
 Fax: 937-299-4147



## Globe Slicer Accessories and Options



### **Extension Legs (873-SET)**

- 3" legs enables easy access below the slicer making cleanup fast and easy
- Set of 4 legs



### **Slicer Cover (SC-SMALL or SC-LARGE)**

- Ensures slicer stays clean when it is not in use

### **Factory Installed Options**

These options must be stated on the purchase order when the slicer is ordered.

### **High Moisture Environment Package (MEATROOM)**

- Specific parts are specially treated to prevent damage due to moisture
- Helps protect slicer from corrosion caused by extreme moisture applications
- Ideal for meatrooms

### **Stainless Steel Blade (SSK)**

- For high acid content applications as found in vegetable and fruit preparation
- Also recommended for tempered (semi frozen) meat cutting

### **Prison Package (PRISON)**

Globe offers the following modifications to its standard slicers in order to meet a typical prison specification.

- Removable sharpening assembly
- Slicer can be bolted down
- Food chute is bolted on
- Fasteners are Torx pin head tamper proof
- Inside support base of the slicer has been treated to prevent any oxidation in high moisture areas

### **Additional Accessories**

- 15" food chute in lieu of 12" chute (LONGCHUTE)

## Chefmate Slicer Accessories



### **Vegetable Hopper (A420VH)**

- For slicing fruits, vegetables, lettuce for sandwiches, and cabbage for slaw
- Fits on the GC512 only
- 14"L x 7"W



**GLOBE FOOD EQUIPMENT COMPANY**  
www.globeslicers.com

2153 Dryden Rd.  
Dayton, OH 45439  
Phone: 937-299-5493  
Phone: 800-347-5423  
Fax: 937-299-4147