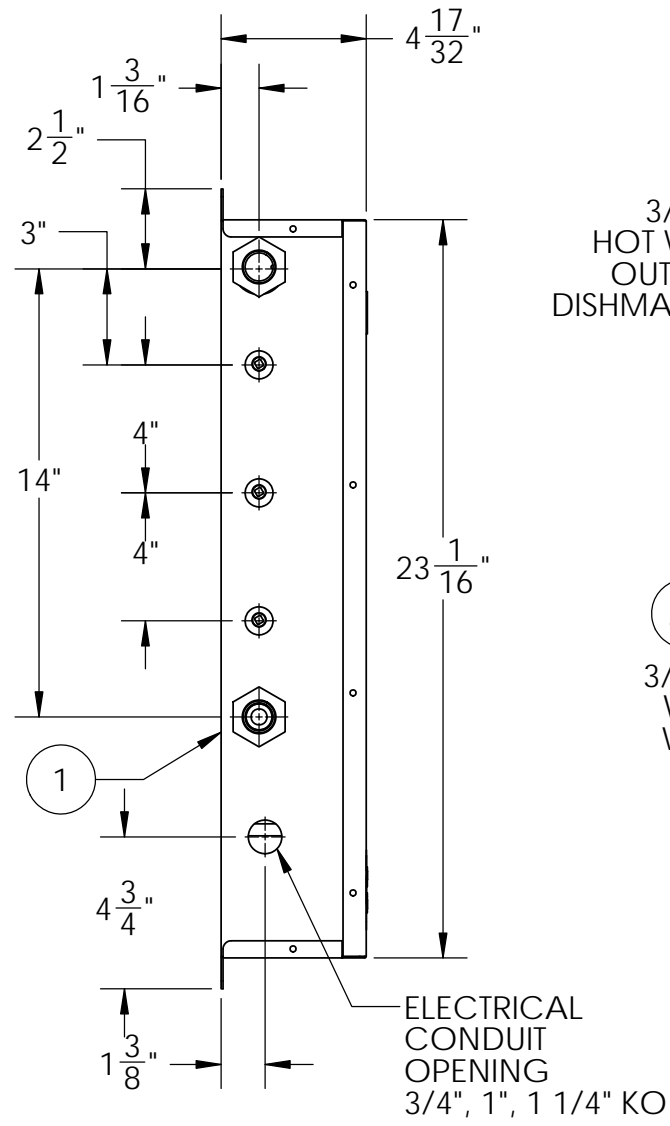


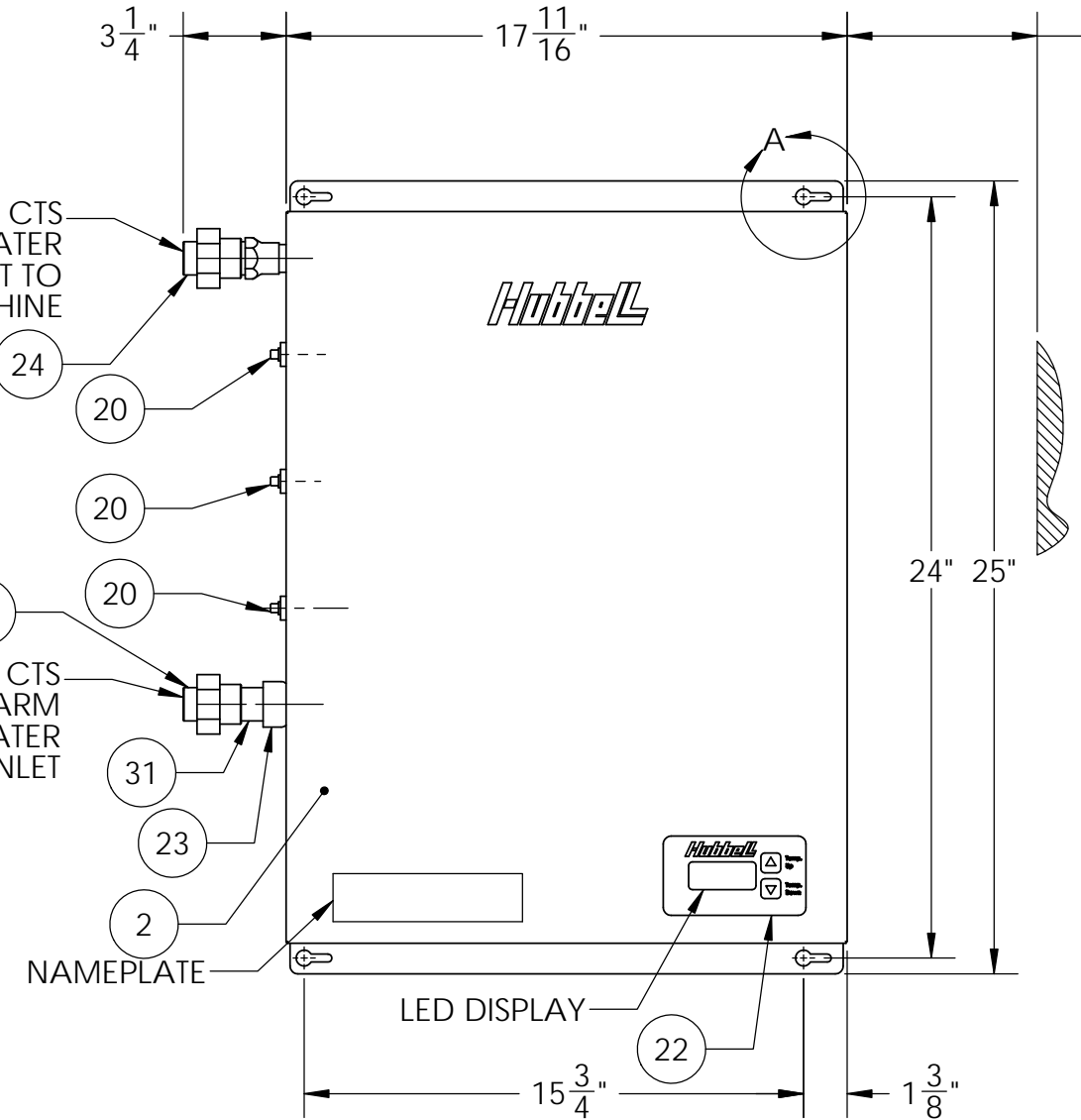
DETAIL A  
SCALE 1 : 2



3/4" CTS  
HOT WATER  
OUTLET TO  
DISHMACHINE

3/4" CTS  
WARM  
WATER  
INLET

ELECTRICAL  
CONDUIT  
OPENING  
3/4", 1", 1 1/4" KO



12" MIN. FOR  
ELEMENT  
WITHDRAWL

NAMEPLATE

LED DISPLAY

D

D

C

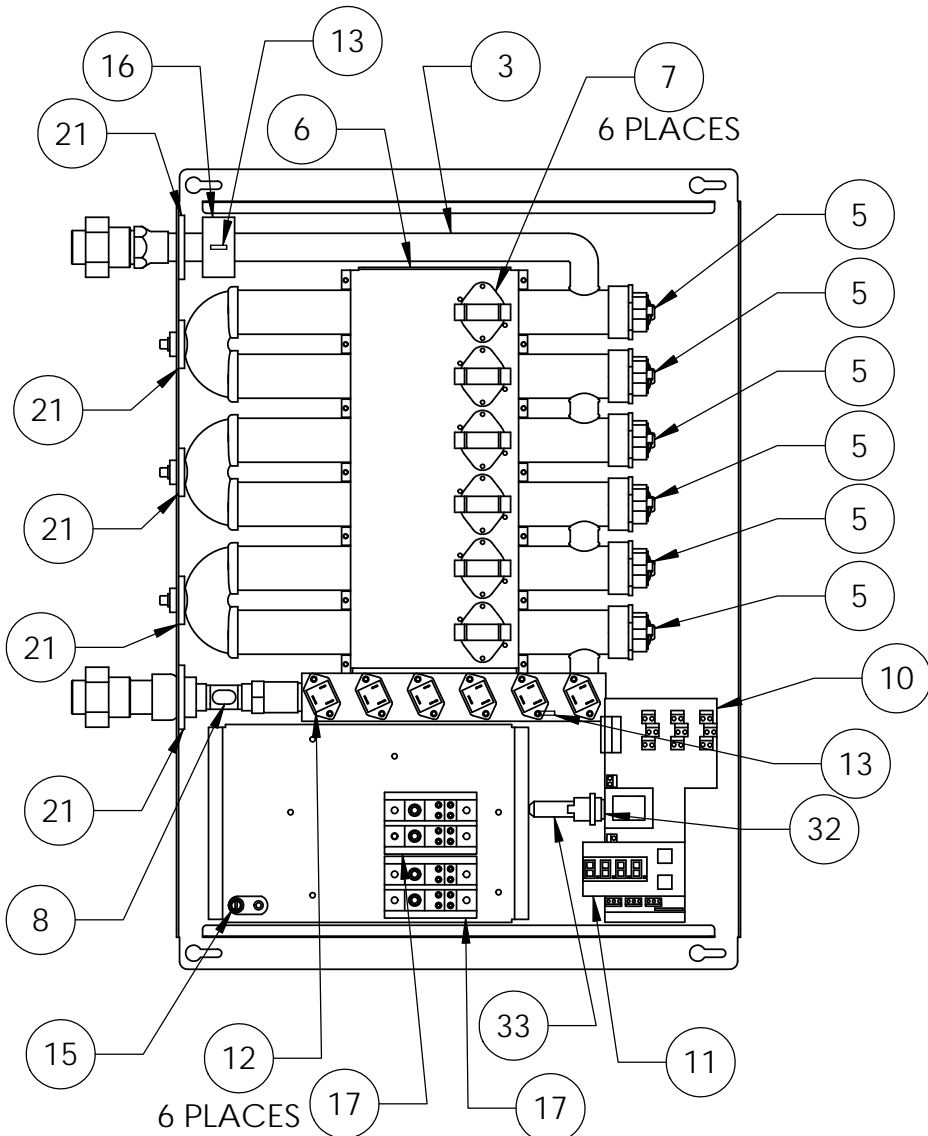
C

B

B

A

A



ZONE	REV.	DESCRIPTION	DATE	APPROVED
REVISIONS				

DATE	NAME	DESCRIPTION
01/19/11	PRD	DRAWN
01/19/11	SW	CHECKED
01/19/11	PRD	ENG APPR.
01/19/11	WEN III	MFG APPR.

Stratford, CT 06615  
(203) 378-2659

**Hubbell**  
The Electric Heater Company

Customer:

Description:  
TANKLESS ELECTRIC BOOSTER HEATER,  
48 kW @ 240 V, 1Ph

SIZE	DWG. NO.	REV
<b>B</b>	JTX048-6S	

SCALE: 1:1 FSCM: 19857 SHEET 1 OF 2

**PROPRIETARY AND CONFIDENTIAL**  
THE INFORMATION CONTAINED IN THIS  
DRAWING IS THE SOLE PROPERTY OF  
THE ELECTRIC HEATER COMPANY. ANY  
REPRODUCTION IN PART OR AS A WHOLE  
WITHOUT THE WRITTEN PERMISSION OF  
THE ELECTRIC HEATER COMPANY IS  
PROHIBITED.

DIMENSIONS ARE IN INCHES  
TOLERANCES:  
(UNLESS OTHERWISE SPECIFIED)  
FRACTIONAL ± 1/4  
ANGULAR: MACH ± 1/2° BEND ± 1°  
TWO PLACE DECIMAL ± 0.01  
THREE PLACE DECIMAL ± 0.005

8

7

6

5

4

3

2

1

8

7

6

5

4

3

2

1


ITEM NO.	QTY.	PART NO. / DWG. NO.	MATERIAL	DESCRIPTION
1	1	D-1111	STAINLESS STEEL	BACK CASING ASSEMBLY
2	1	D-1110	STAINLESS STEEL	FRONT COVER
3	1	JTK6-FM	COPPER / BRASS	HEATER TUBE ASSEMBLY
4	--	--	--	--
5	6	N1375-8000	INCOLOY / BRASS	HEATING ELEMENT, 8000W @ 240V
6	1	D-1114	ALUMINUM	TOP HEATER TUBE SUPPORT
7	6	20603L13-44	VARIOUS	HI-LIMIT SWITCH, AUTO RESET (SET TO 200°F)
8	1	TK FLOW BR	BRASS	FLOW METER, 0.2-8 GPM
9	--	--	--	--
10	1	TK2250	VARIOUS	ELECTRONIC TEMPERATURE CONTROLLER
11	1	TKD2000	VARIOUS	LED DISPLAY
12	6	TG40E60	VARIOUS	TRIAC
13	2	USP9509	VARIOUS	THERMISTOR
14	AS REQ'D		COPPER	WIRE: POWER: #8 AWG, CONTROL: #18 AWG, THHN (90°C)
15	1	KA-4C	COPPER	GROUND LUG
16	1		POLYURETHANE	THERMISTOR INSULATION
17	2	67572	VARIOUS	POWER DISTRIBUTION BLOCK
18	--	--	--	--
19	--	--	--	--
20	3	PLUGBR 1/8	BRASS	DRAIN PLUG, 1/8" NPT
21	5		RUBBER	INLET / OUTLET / DRAIN CASING GASKETS
22	1	TANKLESS OVERLAY	LEXAN	DISPLAY OVERLAY
23	1	COUPBELL 1/2" TO 3/4"	BRASS	INLET BELL COUPLING, 1/2" x 3/4"
24	1	DIELECTRIC UNION	VARIOUS	DIELECTRIC UNION, 3/4" FNPT x 3/4" CTS
25	--	--	--	--
26	1		STAINLESS STEEL	INLET SCREEN (NOT SHOWN)
27				
28				
29	1		VARIOUS	LEAK DETECTION WIRE
30	AS REQ'D		RUBBER	GASKET MATERIAL (NOT SHOWN)
31	1	NIPPBR 3/4 X 1.5	BRASS	NIPPLE 3/4" x 1 1/2" LONG
32	1	LGR-3	VARIOUS	CONTROL CIRCUIT FUSE, 3A
33	1	LHR000	VARIOUS	FUSE HOLDER

- GENERAL NOTES:
- HEATING CHAMBER IS RATED FOR 150 PSI WATER PRESSURE (MAX.)
  - UNIT IS UL, cUL, AND UL EPH LISTED.
  - JTX FLOW RATE: 0.2 GPM MIN., 8 GPM MAX.
  - APPROXIMATE WEIGHT IS 18 POUNDS.
  - HEATERS ARE FULLY MODULATING FROM 0 TO 100%.
  - UNIT IS DESIGNED FOR 50/60 Hz.

INSTALLATION PARAMETERS	
VOLTS	240 V
POWER	48 kW
AMP	200.0 A
BREAKER SIZE(MIN)	225 A
FEED WIRE SIZE(MIN)	4/0 AWG
CONDUIT SIZE(MIN)	2"
WIRING DIAGRAM	6

- INSTALLATION NOTES:
- TANKLESS WATER HEATERS ARE CONSIDERED A NON-CONTINUOUS LOAD.
  - IF MULTIPLE FEED INSTALLATION IS USED, IT IS ACCEPTABLE TO INSTALL UP TO TWO CONDUCTORS IN ONE LINE SIDE PORT. ADDITIONALLY, WHEN A POWER DISTRIBUTION BLOCK IS SUPPLIED, ADDITIONAL CONDUCTORS MAY BE INSTALLED IN AN OPEN LOAD SIDE PORT OF THE POWER DISTRIBUTION BLOCK.
  - WIRING SIZING LISTED IS FOR 75°C THHN. 60°C OR 90°C WIRE MAY BE USED. REFER TO NEC TABLE 310.16 FOR SIZING.
  - CONDUCTORS SHOULD BE SIZED TO MAINTAIN A VOLTAGE DROP OF LESS THAN 3% UNDER LOAD.
  - THESE MODELS INDICATED REQUIRE THAT A SUPPLEMENTARY PROTECTION ASSEMBLY BE INSTALLED (SUPPLIED BY HUBBELL). IF SUPPLEMENTAL PROTECTION IS SUPPLIED BY OTHERS, WHERE MULTIPLE FEEDER CONNECTIONS ARE USED, PHASES MUST BE FROM THE SAME SOURCE.

ZONE	REV.	DESCRIPTION	DATE	APPROVED
REVISIONS				

	DATE	NAME	 <b>The Electric Heater Company</b> Stratford, CT 06615 (203) 378-2659
DRAWN	11/17/10	PRD	
CHECKED	11/22/10	SW	
ENG APPR.	11/22/10	PRD	
MFG APPR.	11/22/10	WEN III	Customer:

Description: TANKLESS ELECTRIC BOOSTER HEATER, 48 kW @ 240 V, 1Ph		
SIZE <b>B</b>	DWG. NO. JTX048-6S	REV
SCALE: 1:1	FSCM: 19857	SHEET 2 OF 2

**PROPRIETARY AND CONFIDENTIAL**  
 THE INFORMATION CONTAINED IN THIS DRAWING IS THE SOLE PROPERTY OF THE ELECTRIC HEATER COMPANY. ANY REPRODUCTION IN PART OR AS A WHOLE WITHOUT THE WRITTEN PERMISSION OF THE ELECTRIC HEATER COMPANY IS PROHIBITED.

DIMENSIONS ARE IN INCHES  
 TOLERANCES:  
 (UNLESS OTHERWISE SPECIFIED)  
 FRACTIONAL ±¼  
 ANGULAR: MACH ±½° BEND ±1°  
 TWO PLACE DECIMAL ±0.01  
 THREE PLACE DECIMAL ±0.005

D

D

C

C

B

B

A

A