



Profit from the Eagle Advantage®

Specification Sheet

Short Form Specifications

Eagle Spec-Bar® Blender Station, model _____. Heavy gauge type 304 stainless steel body, legs, leg channels and cross rails. Stainless steel sink with lift out perforated strainer and T&S deck mounted gooseneck faucet. Stainless steel blender shelf with rear cord access hole. Stainless steel adjustable bullet feet.



Item No.:	_____
Project No.:	_____
S.I.S. No.:	_____

Spec-Bar® Blender Stations with T&S Faucet

MODELS:

- BS14-19
- BS18-19
- BS14-24
- BS18-24

Design and Construction Features

- Designed to align with the single speed rail on adjoining equipment.
- Body, legs and adjustable crossbracing constructed of type 304 stainless steel for strength and corrosion resistance.
- 1½" (41mm)-diameter type 304 stainless steel legs with stainless steel bullet feet; stainless steel gussets, and stainless steel 1¼" (32mm)-diameter adjustable crossbracing.
- All units feature sink bowl with hot and cold water T&S gooseneck faucet.
- Faucets are on 4" (102mm) centers with ½" (13mm) NPT inlet, hot and cold water connections required.
- Sink bowl on all units is 9¼" x 11½" x 6" (235 x 292 x 152mm) except #BS14-19, which features 9½" x 9½" x 6" (245 x 245 x 152mm) sink bowl.
- Lift-out stainless steel perforated sink strainer.
- Stainless steel 10" (254mm)-deep blender shelf —9" (229mm) deep on 14" (356mm) long models— with rear cord access hole.
- 1½" (38mm) I.P.S. threaded drain with nut and washer.
- Full-length 8" (203mm)-high backsplash.

EAGLE GROUP
 100 Industrial Boulevard, Clayton, DE 19938-8903 USA
 Phone: 302-653-3000 • Fax: 302-653-2065
 www.eaglegrp.com

Foodservice Division: Phone 800-441-8440
MHC/Retail Display Divisions: Phone 800-637-5100

For custom configuration or fabrication needs, contact our **SpecFAB® Division**.
 Phone: 302-653-3000 • Fax: 302-653-3091 • e-mail: specfab@eaglegrp.com



EG40.24 Rev. 04/11

Spec sheets available for viewing, printing or downloading from our online literature library at www.eaglegrp.com

Eagle Foodservice Equipment, Eagle MHC, SpecFAB®, and Retail Display are divisions of Eagle Group. ©2011 by the Eagle Group

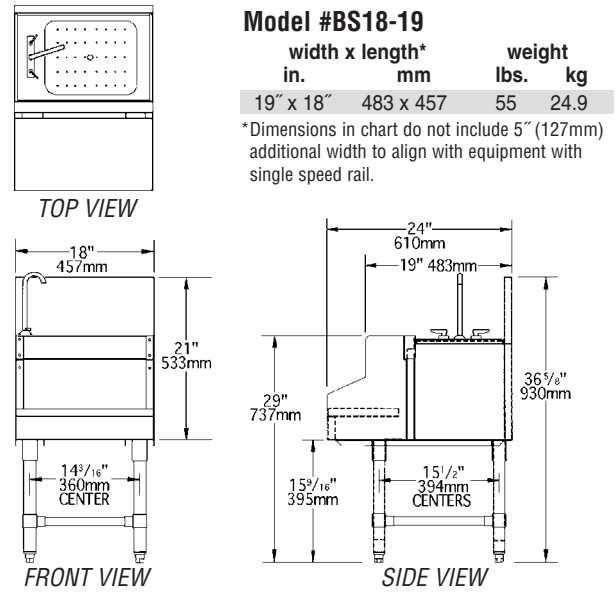
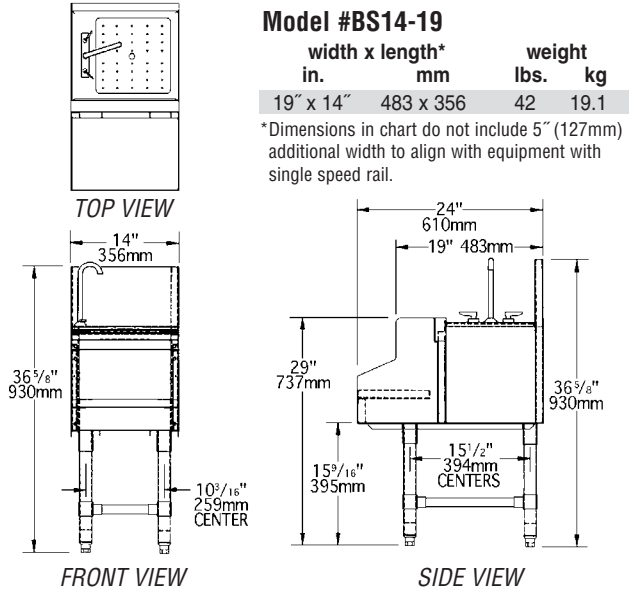


Profit from the Eagle Advantage®

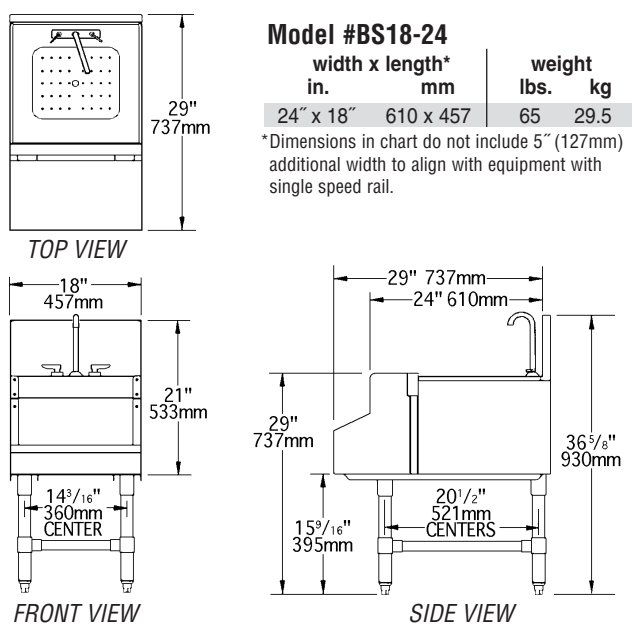
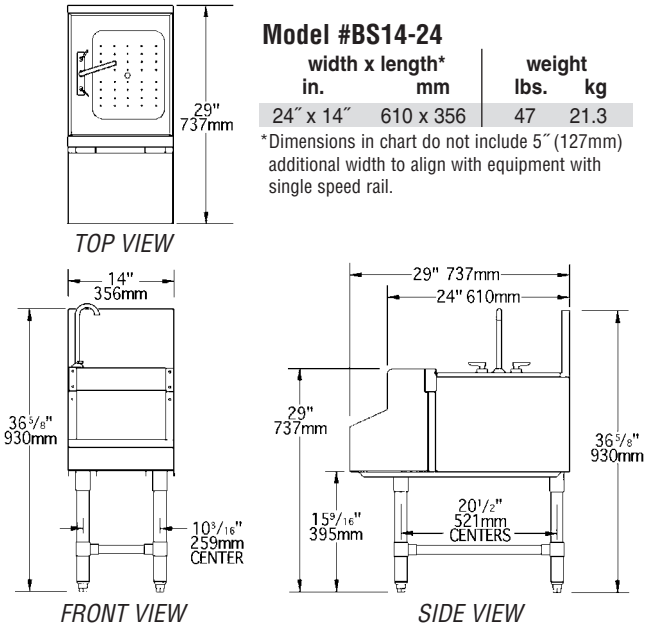
Item No.: _____
 Project No.: _____
 S.I.S. No.: _____

Spec-Bar® Blender Stations with T&S Faucet

Blender Stations to use with 19" (483mm) wide equipment:



Blender Stations to use with 24" (610mm) wide equipment:



EAGLE GROUP
 100 Industrial Boulevard, Clayton, DE 19938-8903 USA
 Phone: 302-653-3000 • Fax: 302-653-2065
 www.eaglegrp.com

Foodservice Division: Phone 800-441-8440
 MHC/Retail Display Divisions: Phone 800-637-5100

Printed in U.S.A.
 ©2011 by Eagle Group
 Rev. 04/11

Spec sheets available for viewing, printing or downloading from our online literature library at www.eaglegrp.com

Although every attempt has been made to ensure the accuracy of the information provided, we cannot be held responsible for typographical or printing errors. Information and specifications are subject to change without notice. Please confirm at time of order.