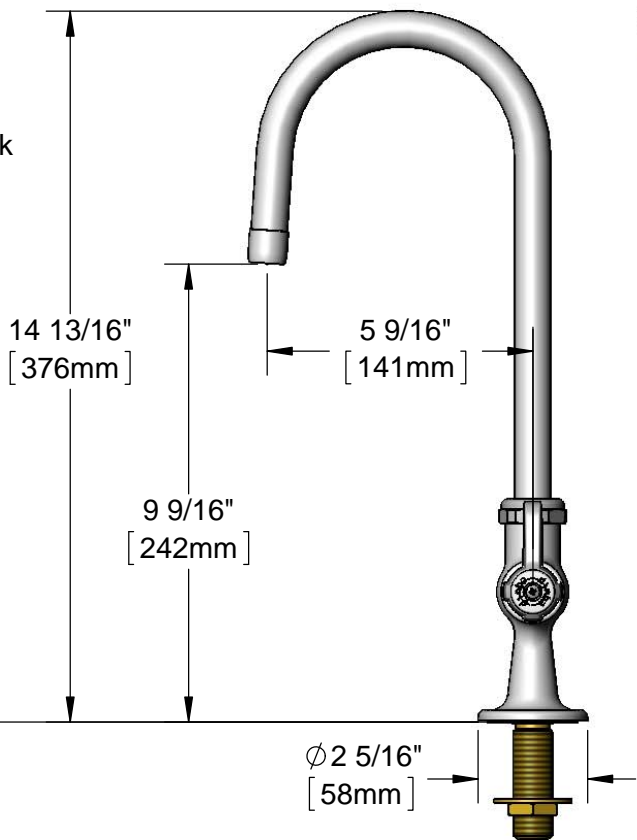
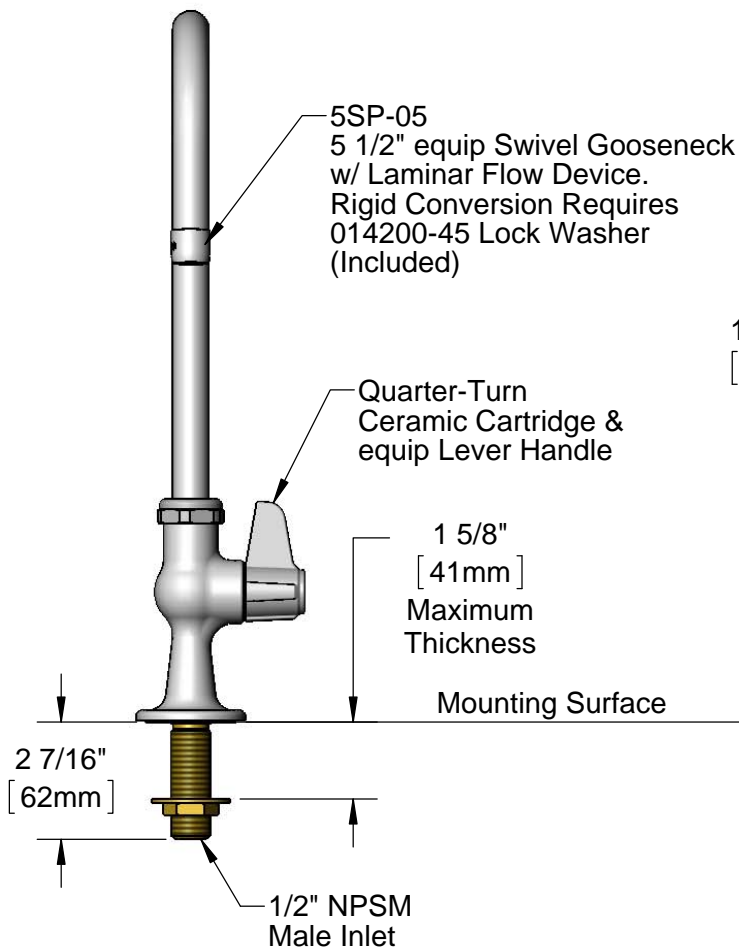
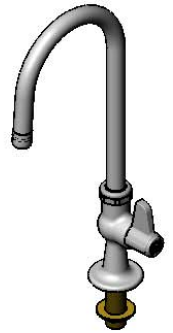


ADA Compliant

This Space for Architect/Engineer Approval

Job Name _____ Date _____
 Model Specified _____ Quantity _____
 Customer/Wholesaler _____
 Contractor _____
 Architect/Engineer _____



Rough-In Requirement:
 Ø 1" [25mm] Mounting Hole

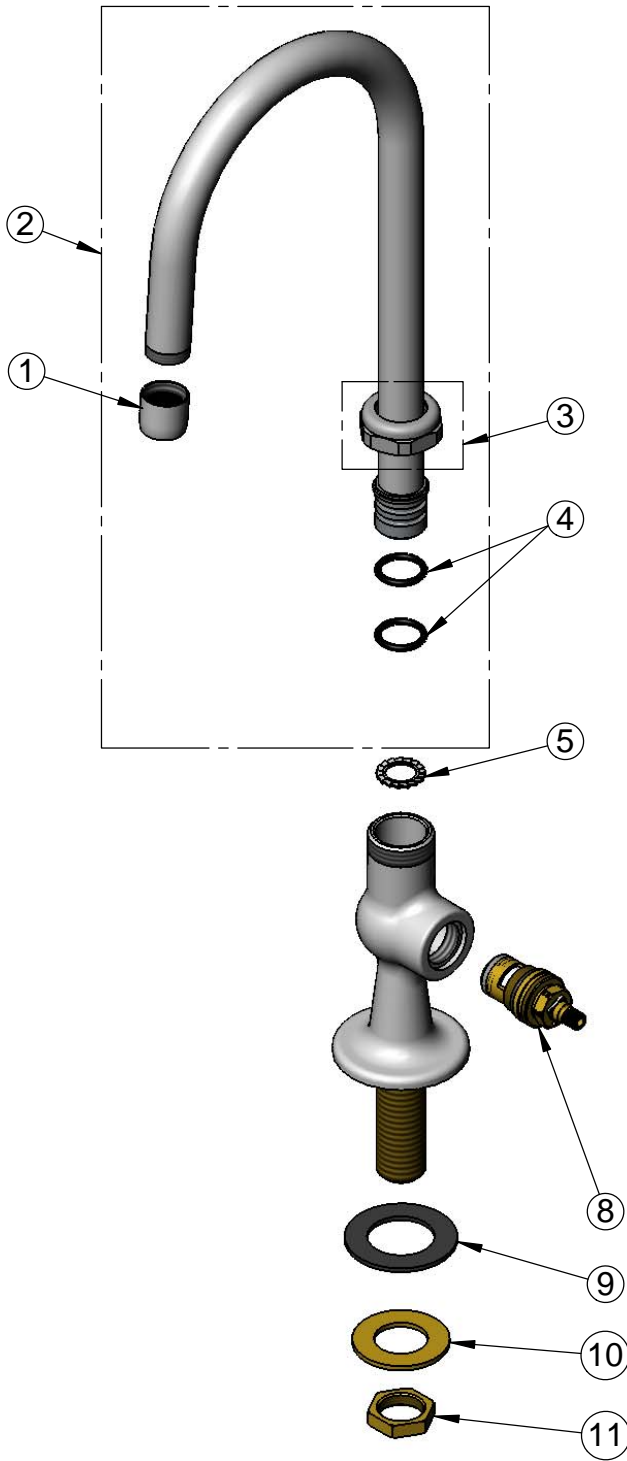
Model Number
5F-1SLX05

Product Specifications:
 Single Supply Deck Mount Faucet w/ Ceramic Cartridge,
 equip Lever Handle, 5 1/2" equip Swivel Gooseneck
 & 1/2" NPSM Male Inlet

Product Compliance:
 ASME A112.18.1 / CSA B125.1
 NSF 61 - Section 9
 NSF 372 (Low Lead Content)
 ANSI A117.1 (ADA)

equip Foodservice Accessories

2 Saddleback Cove, P.O. Box 1088
 Travelers Rest, South Carolina 29690
 Phone: 800.891.4808 Fax: 800.868.0084
 equip.tsbrass.com



ITEM NO.	SALES NO.	DESCRIPTION
1	014250-45	Laminar Full Flow Outlet Device
2	5SP-05	5 1/2" equip Swivel Gooseneck
3	013839-25	equip Swivel Nut
4	013848-45	equip Swivel Piece O-Ring
5	014200-45	Star Washer, Anti-Rotation
6	5-HDL-L	equip Lever Handle
7	013849-45	Plain Handle Screw (10)
8	013787-45	equip Ceramic Cartridge, RTC
9	014612-45	Deck Seal
10	000999-45	Brass Lock Washer
11	002954-45	Shank Lock Nut

Model Number

5F-1SLX05

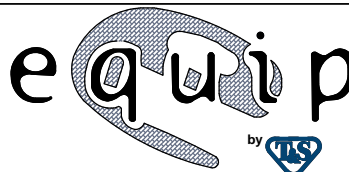
Product Specifications:

Single Supply Deck Mount Faucet w/ Ceramic Cartridge,
equip Lever Handle, 5 1/2" equip Swivel Gooseneck
& 1/2" NPSM Male Inlet

Product Compliance:

ASME A112.18.1 / CSA B125.1
NSF 61 - Section 9
NSF 372 (Low Lead Content)
ANSI A117.1 (ADA)

equip
Foodservice
Accessories



2 Saddleback Cove, P.O. Box 1088
Travelers Rest, South Carolina 29690
Phone: 800.891.4808 Fax: 800.868.0084
equip.tsbrass.com