



### Special Features:

- ✓ ES3G Series Equipment Stand
- ✓ Work Area: Stainless Flat Top 4ft<sup>2</sup> - 15ft<sup>2</sup>
- ✓ Sturdy 18-Gauge 304 Stainless Steel Work Area
- ✓ High Loading Capacity for Work Area & Undershef
- ✓ Undershef Material: 18-Gauge Galvanized Steel
- ✓ Back and Side Splashes
- ✓ Galvanized Steel Hat Channel
- ✓ Galvanized Steel Legs
- ✓ Plastic Adjustable Bullet Feet
- ✓ All Seams Welded & Polished
- ✓ No Burrs or Sharp Edges

### About Empura Equipment Stands:

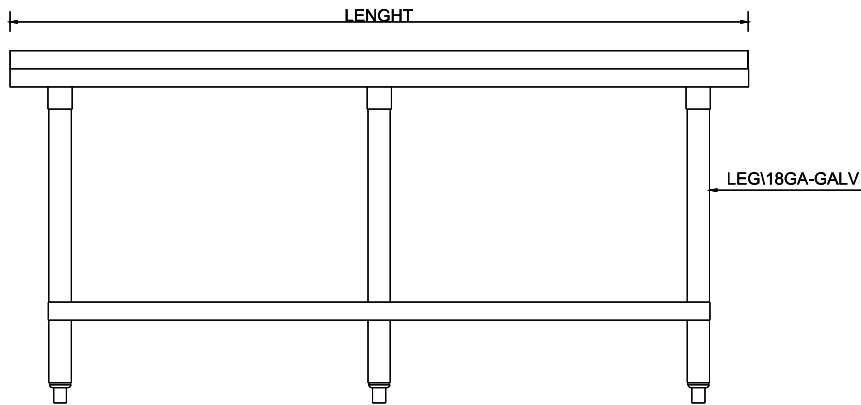
When your commercial kitchen requires a durable counter-height table capable of supporting heavy equipment, turn to Empura Equipment Stands. Crafted from robust stainless steel, these stands not only withstand heavy loads but also endure the daily rigors of a bustling foodservice environment. Available in various widths to suit different equipment sizes, Empura Stainless Steel Equipment Stands are the ideal solution for your kitchen needs.

### TECHNICAL SPECS

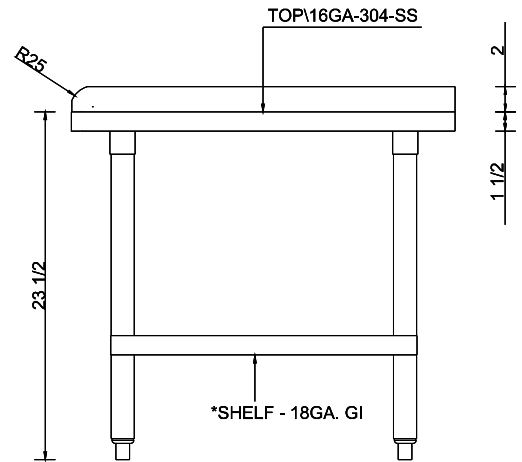
Model #	ES3G2424	ES3G3030	ES3G3036	ES3G3048	ES3G3060	ES3G3072
Overall Width	24"	30"	36"	48"	60"	72"
Overall Depth	24"	30"	30"	30"	30"	30"
Overall Height	25.5"	25.5"	25.5"	25.5"	25.5"	25.5"
Undershef Width	16"	22"	28"	40"	52"	64"
Undershef Depth	16"	22"	22"	22"	22"	22"
Undershef Thickness	1.5"	1.5"	1.5"	1.5"	1.5"	1.5"
Backsplash Height	2"	2"	2"	2"	2"	2"
Top Shelf Loading Capacity (lbs)	700	780	800	870	900	1000
Undershef Loading Capacity (lbs)	540	600	620	670	700	780
Shipping Weight (lbs)	37.48	49.38	55.99	70.11	86.86	100.53
Top Shelf Material	304 SS	304 SS	304 SS	304 SS	304 SS	304 SS
Top Shelf Gauge	16 G	16 G	16 G	16 G	16 G	16 G
Undershef Material	Galvanized	Galvanized	Galvanized	Galvanized	Galvanized	Galvanized
Undershef Gauge	18 G	18 G	18 G	18 G	18 G	18 G
Hat Channel Material	18 G Galvanized	18 G Galvanized	18 G Galvanized	18 G Galvanized	18 G Galvanized	18 G Galvanized
Leg Material	18 G Galvanized	18 G Galvanized	18 G Galvanized	18 G Galvanized	18 G Galvanized	18 G Galvanized
Leg Diameter	1.625"	1.625"	1.625"	1.625"	1.625"	1.625"
Foot Material	Plastic	Plastic	Plastic	Plastic	Plastic	Plastic

## UNIT VIEW

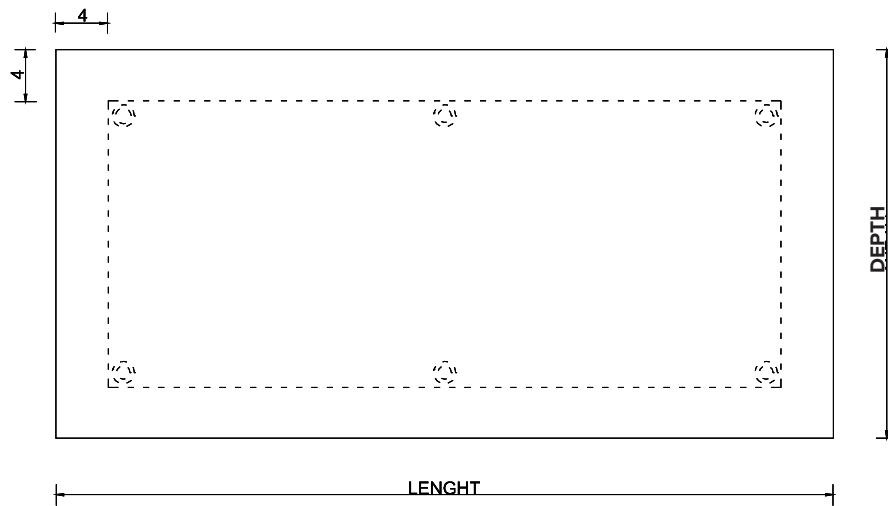
Front View



Side View



Top View



**Intended For Commercial Use Only.** Empura assumes no liability for component failure, factory defects or any other damages for units installed in non-commercial foodservice or residential applications.

**Attention CA Residents:** This product can expose you to chemicals including lead, which are known to the State of California to cause cancer, birth defects, or other reproductive harm. For more information, go to [www.p65warnings.ca.gov](http://www.p65warnings.ca.gov).