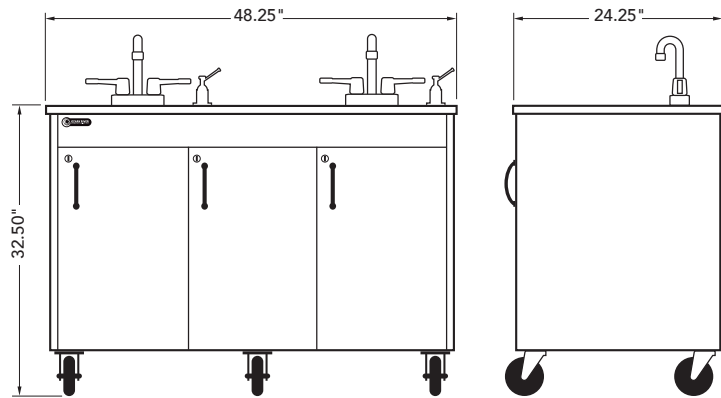


## LIL DELUX

Our Lil Delux self-contained, portable, hot water, handwashing station is made with those lil hands in mind. It's engineered specifically for consistent, point-of-contact hand hygiene in childcare environments and their, shall we say, smaller-sized needs. This one-stop, two-sink station is ideal for multiple visitors right after adventuring on the playground or before that snack time rush.

Double up with two separate hot water systems, single stainless sink basins, top-fill soap dispensers, and 5-gallons worth of hot water handwashing in each quick-connect tank. The durable laminate countertops are fit with rounded corners and ADA-compliant wrist action handles, making it quite the teacher's pet. Underneath, the lockable, three-door, maple cabinet keeps your hot water system secure from curious hands and ready to assist this out-of-the-box-ready sanitation savior.



### CHDXM-HD-SS1N

Model Name	Lil Delux
<b>NSF Certified</b>	Yes
<b>LivingGreen Certified</b>	Yes
<b>SACERS Rating</b>	12, 3.4, 5.1, 5.2
<b>CARB 93120 Phase 2</b>	Yes
<b>Electrical Requirements</b>	(2) 110V, 20A Dedicated Outlet and Breaker
<b>On-Demand Hot Water</b>	Approx. 40°F Above Water Temperature
<b>GPM</b>	0.50
<b>Approx Handwashings</b>	45-60 (5 gallon tank)
<b>Product Dimensions</b>	48.25"W x 24.25"D x 32.5"H
<b>Product Weight</b>	180 lbs.
<b>Basin</b>	Single Stainless Steel (2qty)
<b>Basin Dimensions</b>	12" W x 10" L x 5.75" D
<b>Countertop Material</b>	HDPE Plastic
<b>Cabinet Material</b>	Phthalate, Lead Free Millwork
<b>Cabinet Color</b>	Maple
<b>Fresh Water Tank</b>	5 Gallon Capacity, FDA Approved
<b>Waste Water Tank</b>	6 Gallon Capacity, FDA Approved
<b>Faucet Style</b>	ADA Compliant Wrist Action Handles
<b>Door Lock</b>	Keyless
<b>Soap Dispenser</b>	Liquid Only, Countertop Mount
<b>Cabinet Wheels</b>	5" Front Locking/Swivel Casters
<b>Warranty</b>	2 Year

#### Minimum Operating Requirements

- Each sink must use (2) grounded, dedicated 110V, 20A circuit breaker
- Sinks must be used on a dry, level indoor surface
- Extension cord must be 12/3, rated at 20A or higher
- Water must meet EPA standards (PH between 7.0 and 9.0)

- BEAUTY + WELLNESS
- EDUCATION + CLASSROOM
- FOOD SAFETY
- HEALTHCARE



**IMPORTANT!**  
Consult with your state and local environmental health official to confirm usage of portable sinks in place of plumbing.

**GREATER NASHVILLE AREA**

**call 1.866.663.1982**

**OzarkRiver.com**