



T&S BRASS AND BRONZE WORKS, INC.

2 Saddleback Cove / P.O. Box 1088
Travelers Rest, SC 29690

Model No.

B-0674-BSTP

Item No.

Travelers Rest, SC: 800-476-4103 • Simi Valley, CA: 800-423-0150 • Fax: 864-834-3518 • www.tsbrass.com



ADA Compliant

This Space for Architect/Engineer Approval

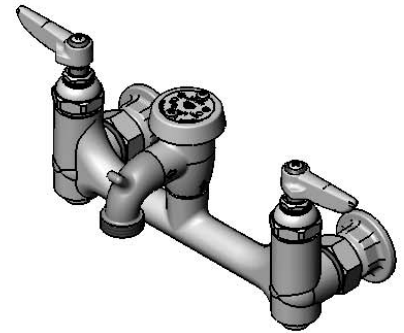
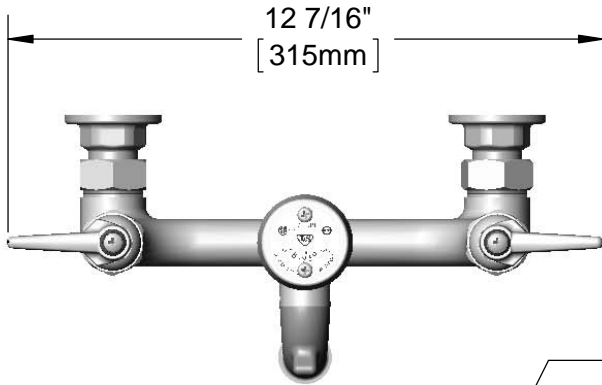
Job Name _____ Date _____

Model Specified _____ Quantity _____

Customer/Wholesaler _____

Contractor _____

Architect/Engineer _____

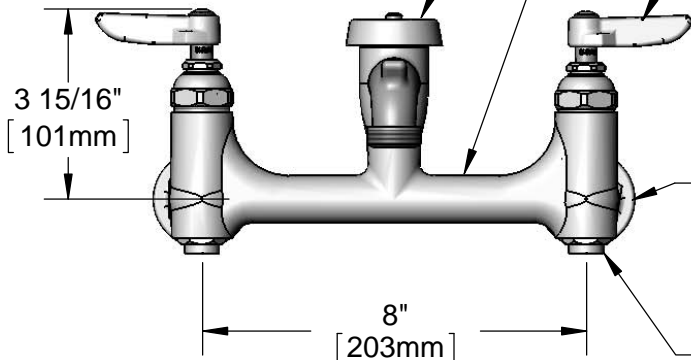


B-0969
1/2" NPT Vacuum
Breaker

Polished Chrome
Finish on Faucet
Body & Spout

Pail Hook Spout
w/ Garden Hose
Male Outlet

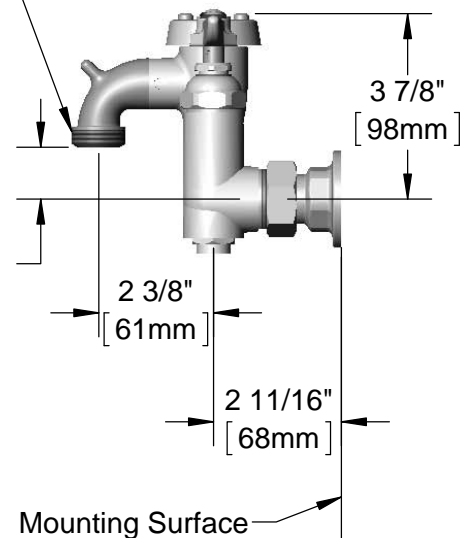
Eterna Cartridges w/
Spring Checks &
Lever Handles w/
Color Coded Indexes



Ø 2" [51mm]
Flanges w/
1/2" NPT
Female Inlets

Built-In Service
Stops

Adjustable From
7 3/4" to 8 1/4"
[197mm to 210mm]



Mounting Surface

Product Specifications:

Wall Mount Service Sink Faucet, Eterna Cartridges w/ Spring Checks, Lever Handles, Pail Hook Spout w/ Garden Hose Male Outlet, Polish Chrome Finish, Built-In Service Stops & 1/2" NPT Female Adjustable Inlets

Product Compliance:

ASME A112.18.1 / CSA B125.1
NSF 61 Exempt (Non-Potable)
ANSI A117.1 (ADA)
ASSE 1001 (VB)



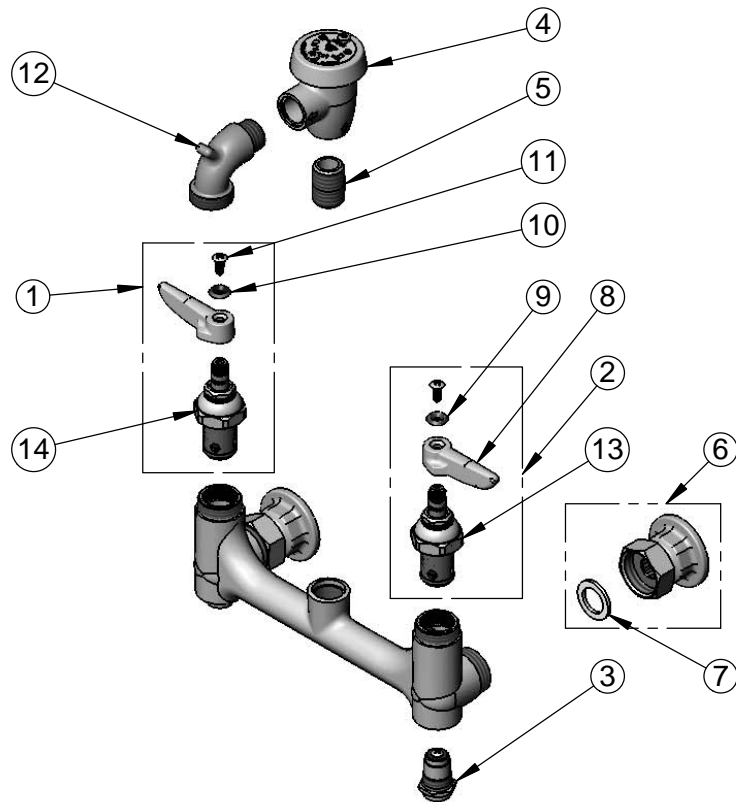
T&S BRASS AND BRONZE WORKS, INC.
 2 Saddleback Cove / P.O. Box 1088
 Travelers Rest, SC 29690

Model No.
B-0674-BSTP

Item No.

Travelers Rest, SC: 800-476-4103 • Simi Valley, CA: 800-423-0150 • Fax: 864-834-3518 • www.tsbrass.com

| ITEM NO. | SALES NO. | DESCRIPTION |
|----------|-----------|---|
| 1 | 002712-40 | Eterna Cartridge - RTC w/ Spring Check, Handle, Index & Screw |
| 2 | 002711-40 | Eterna Cartridge - LTC w/ Spring Check, Handle, Index & Screw |
| 3 | 163A | Built-in Service Stop |
| 4 | B-0969 | 1/2" NPT Vacuum Breaker |
| 5 | 002534-25 | Close Nipple, 1/2" NPT |
| 6 | 00AA | 1/2" NPT Female Eccentric Flange |
| 7 | 001019-45 | Coupling Nut Washer |
| 8 | 001638-45 | Lever Handle |
| 9 | 001660-45 | Blue Index-CW |
| 10 | 001661-45 | Red Index-HW |
| 11 | 000922-45 | Lever Handle Screw |
| 12 | 000270-40 | Spout, Garden Hose Male Outlet |
| 13 | 012442-40 | Eterna Cartridge - LTC w/ Spring Check |
| 14 | 012443-40 | Eterna Cartridge - RTC w/ Spring Check |



Product Specifications:

Wall Mount Service Sink Faucet, Eterna Cartridges w/ Spring Checks, Lever Handles, Pail Hook Spout w/ Garden Hose Male Outlet, Polish Chrome Finish, Built-In Service Stops & 1/2" NPT Female Adjustable Inlets

Product Compliance:

ASME A112.18.1 / CSA B125.1
 NSF 61 Exempt (Non-Potable)
 ANSI A117.1 (ADA)
 ASSE 1001 (VB)